

# Spare parts catalogue

**Capsule filling machine FEC20**

**No. 601198668-7295976**

**Edition 19.05.2020-21643833**

**Order number 601198668**



## General instructions

The spare parts catalogue contains all relevant data for identifying and ordering spare parts. On first delivery of every customer machine, a specific spare parts catalogue is generated for the particular order.

The catalogue has a hierarchic structure according to assemblies in the form of parts lists and the corresponding drawings (photos). For some assemblies, not all parts featured in the parts list are shown with position numbers in the drawings.

Please always state the following information to ensure that your spare parts purchase orders or enquiries can be dealt with swiftly:

- **Machine type**                    see nameplate
- **Serial number**                see nameplate
- **Part no.**                         material number (part number), see parts list
- **Designation**                 part designation, see parts list
- **Qty.**                             part quantity, see parts list
- **UQ**                                unit of quantity, see parts list  
(GRM=gram, KGM=kilogram, LTR=liter, MTR=meter,  
MTK=square meter, PCE=piece, SET=set)

Parts list variations for specific orders (parts lists changed to customer specifications) are marked with the material number suffix "!". This suffix must be stated in the enquiry/purchase order. The drawings allocated to the parts list variations for specific orders constitute the original status.

Column "A" in the parts list indicates the kind of part. The following entries are possible:

- E spare part
- V wear part
- N standard part
- not relevant to the spare part (information only)

To avoid incorrect spare parts deliveries, please inform us of all modifications carried out to the machine after the initial delivery. A modification report is supplied for this purpose (document no. 9195276).





## Table of contents

	<b>7033532</b>	<b>Capsule filling machine FEC20</b>	<b>10</b>
<b>1</b>	<b>7295976</b>	<b>FEC20 No. 9300 0053</b>	<b>12</b>
1.1	7271218	machine frame bottom, complete FEC20	16
1.1.1	7183097	Bottom clip holder, FEG, complete	22
1.1.2	7069444	Bracket for maintenance flap bottom	24
1.1.3	7270521	table top (machine frame)	26
1.2	7268113	Main drive complete FEC20	28
1.3	7158609	Rotary disk locking mechanism	30
1.4	7272977	cam guide FEC20 complete	32
1.4.1	7272976	cam guide, track cam, FEC20 complete	34
1.4.1.1	7158863	Pot curve 20mm	36
1.4.1.2	7263958	Pot curve 4mm, closing, complete	38
1.4.2	7272970	cam guide, remoaval opening, FEC20 compl	40
1.5	7236621	Valve block 30x5/2 steel with peripherals	42
1.6	7294122	E-parts drive compartment +DC=MA FEC20	44
1.7	7268291	manifold cooling system FEC20	46
1.8	7268262	Water cooling system integrated FEC20	48
1.9	7268190	Pneumatic control FEC20 Basic	50
1.9.1	7294126	E-parts service unit +PSU=MA FEC20	52
1.10	7174285	Pneumatic controller for CFC function	54
1.11	7274945	drive discharge chute FEC20	56
1.12	7269503	Compacting station, drive compartment FEC20	58
1.12.1	7152260	Compacting station, comfort	60
1.12.1.1	7152258	Lifting drive complete	62
1.12.1.2	7152263	rotary drive complete	64
1.12.1.2.1	7257918	Motor plate, complete	66
1.13	7269502	fixing dosing, clamping system	68
1.14	7269438	Option RFID Compacting station FEC20	70
1.15	7279134	head piece universal FEC20	72
1.15.1	7279103	head piece with metal paneling FEC20	74
1.15.1.1	7279070	Head piece structural elements FEC20	76
1.15.2	7235989	Filling cone mounting, complete	78
1.16	7279382	machine cover plate FEC20	80
1.16.1	7184840	Incoming air cover, complete	82
1.17	7294124	E-parts upper part +HUP=MA FEC20	84
1.18	7281300	extraction FEC20 complete	86
1.18.1	7280901	welded assembly bypass pipe	88
1.18.2	7280916	welded assembly intermediate pipe	90

## Table of contents

1.18.3	7281301	drive extraction regulator complete .....	92
1.18.3.1	7222288	Sensor, inductive M4x0.5 1400 mm inclusive plug .....	94
1.19	7222036	Tamping station head piece, option .....	96
1.19.1	7184959	Metering drum drive, complete .....	98
1.19.2	7208064	Combination cover, head piece, complete .....	100
1.19.3	7197426	Cover, pellet plug-in connector, complete .....	102
1.20	7195050	Removal beam supporting pin, complete .....	104
1.21	7299943	E-parts Option NMC HUP FEC20 .....	106
1.21.1	7299841	NMC-Box FEC20 .....	108
1.22	7179337	Corner column, complete .....	112
1.23	7267979	rotary disk FEC20 complete .....	114
1.24	7271060	Base middle column FEC20 .....	118
1.24.1	7269534	Base middle column complete FEC20 .....	120
1.24.1.1	7160276	Sleeve with scraper .....	122
1.24.2	7266588	Frame middle colu. FEC20 complete .....	124
1.24.2.1	7160276	Sleeve with scraper .....	128
1.24.2.2	7253988	Panelling ahead mi. co. FEC20 complete .....	130
1.24.2.2.1	7286728	Panelling ahead mi. co. boiled FEC20 .....	132
1.24.2.3	7254004	Panelling behind mid. col. FEC20 compl. ....	134
1.24.3	7269131	Drive magazin row 1 FEC20 .....	136
1.24.3.1	7269128	EZ3-1-16 Guide magazin row 1 .....	138
1.24.4	7269187	Drive magazin row 2 FEC20 .....	140
1.24.4.1	7269173	SEZ3 1- 16 Guide Magazin row 2 .....	142
1.24.5	7269088	Drive sorting fork FEC20 complete .....	144
1.24.5.1	7155353	SEZ3 0,5 16 drive with guide sorting fork .....	148
1.24.6	7269230	Drive rejection non-separated FEC20 complete .....	150
1.24.6.1	7269199	SEZ3 0,5 16 Guide rejection non separated capsules .....	152
1.24.6.2	7277555	Mounting plate ejection pin non-separated capsules .....	154
1.25	7270957	Mounting flange middle column complete FEC20 .....	156
1.26	7271095	CFC function+ RFID complete FEC20 .....	158
1.26.1	7294119	E-parts CFC FEC20 Option 4.100 Capsule Flow Control ....	160
1.27	7272489	closing station FEC20 .....	162
1.27.1	7272301	Casing closing unit complete FEC20 .....	166
1.27.1.1	7160276	Sleeve with scraper .....	168
1.27.1.2	7167973	Scraper holder, upper closing pin .....	170
1.27.1.3	7167964	Closing unit, top .....	172
1.27.2	7155353	SEZ3 0,5 16 drive with guide sorting fork .....	174
1.27.3	7155458	SEZ3 0.5 10 with guide suction pad .....	176

## Table of contents

1.28	7168235	Option: closing pin check YES .....	178
1.28.1	7222288	Sensor, inductive M4x0.5 1400 mm inclusive plug .....	180
1.28.2	7243094	Electrical parts, CCC - Capsule Closing Control - optional ...	182
1.28.3	7221643	Closing stroke check IO modules .....	184
1.29	7272992	ejection flap cpl. FEC20 .....	186
1.29.1	7272893	extraction segment holder cpl. FEC20 .....	188
1.30	7161257	Ejection pins and drive .....	190
1.30.1	7155353	SEZ3 0,5 16 drive with guide sorting fork .....	192
1.30.2	7217497	Adjusting sleeve with scraper .....	194
1.30.3	7160415	Closure, lifting rod .....	196
1.31	7272734	discharge chute cpl. FEC20 .....	198
1.32	7235943	Filling cone row 1, complete .....	200
1.33	7235945	Filling cone row 2, complete .....	202
1.34	7235988	Filling cone peripherals for CFC .....	204
1.35	7275641	basic machine cover FEC20 .....	206
1.35.1	7182200	Maintenance flaps MS2 MS4, complete .....	208
1.35.2	7273080	Maintenance flap MS1 MS3 kpl .....	210
1.35.3	7273885	window flap hinge complete .....	212
1.35.3.1	7182599	Maintenance flap hinge, complete .....	214
1.35.4	7273857	Maintenance flap hinge left, complete .....	216
1.35.4.1	7182599	Maintenance flap hinge, complete .....	218
1.35.5	7182702	Clip MS2 MS4, top, complete .....	220
1.35.6	7273980	Clip MS1 MS3 ,top, complete .....	222
1.35.7	7352439	window flap (vb) MS1_MS3 cpl FEC20 .....	224
1.35.8	7275526	Window flap linkage MS1 MS3 complete FEC20 .....	226
1.35.9	7275525	Window flap linkage MS4 complete FEC20 .....	230
1.35.10	7352444	window flap (vb) MS4 cpl FEC20 .....	234
1.35.11	7352441	window flap (vb) MS2 cpl FEC20 .....	236
1.35.12	7275524	Window flap linkage MS2 .....	238
1.35.13	7273202	column panelling S1_S3 .....	242
1.35.14	7273501	column panelling S2/S4 cpl .....	244
1.35.14.1	7271223	Emergency stop + cabel witch plug .....	246
1.36	7273984	Clip below MS1 MS3 FEC20 complete .....	248
1.37	7182301	Clip MS2 MS4, below, complete .....	250
1.38	7273977	Clip below MS4 MS-Connection complete .....	252
1.39	7274904	suction cup cpl .....	254
1.39.1	7244366	Electrical parts, separation module .....	256
1.39.2	7357646	drive ihXZ3-25KQBO+guide - suction pad .....	258
1.40	7275791	Option capsule separa. control FEC20 ja .....	260

## Table of contents

1.40.1	7221643	Closing stroke check IO modules .....	262
1.41	7273997	extraction n.g.K. FEC20 complete .....	264
1.41.1	7276006	star grip screw M6x10VA .....	266
1.42	7274070	Suction temping-Pellet FEC20 .....	268
1.43	7186588	Tamping station with RFID, complete .....	270
1.43.1	7184541	powder dosing unit, complete .....	272
1.43.1.1	7182752	Closing device .....	274
1.43.1.2	7184024	Rake holder, complete .....	276
1.43.1.2.1	7218163	Dust seal, complete .....	278
1.43.1.2.2	7184023	Transfer station scraper, complete .....	280
1.43.1.3	7216825	Support plate with output flange .....	282
1.43.1.4	7184185	Adjustment screw .....	284
1.43.1.5	7183439	Compacting ring extraction unit .....	286
1.43.1.6	7184310	Right lifting column, complete .....	288
1.43.1.6.1	7184307	Lifting spindle seal .....	290
1.43.1.7	7184309	Left guide column, complete .....	292
1.43.1.7.1	7184307	Lifting spindle seal .....	294
1.43.2	7184516	Compression unit, complete .....	296
1.43.2.1	7184511	Bridge, complete .....	298
1.43.2.1.1	7187008	self-centering clamping set 40x53 complete .....	300
1.43.2.2	7344271	cover clamping set complete .....	302
1.44	7186748	RFID dosing disk, complete .....	304
1.45	7184961	Feeder, complete .....	306
1.45.1	7184957	Metering drum, complete .....	308
1.45.2	7273704	filling cone, with query .....	310
1.45.3	7184956	Deflection unit, complete .....	312
1.45.4	7225274	Downpipe with inspection window .....	314
1.45.5	7318284	quick clamping .....	316
1.46	7222867	Distributor cone, flat .....	318
1.47	7280529	Toolbox FEC .....	320
1.48	7236270	19" terminal, complete .....	322
1.48.1	7271223	Emergency stop + cabel witch plug .....	324
1.49	7243492	E-Parts FEC +HT =EXT .....	326
1.50	7243324	downpipe deduster KCP10 FEC40 complete .....	328
1.51	7243387	downpipe container 600 FEC40 complete .....	330
Index		.....	333



---

**7033532 Capsule filling machine FEC20**

<b>Pos.</b>	<b>Part no.</b>	<b>Designation</b>	<b>Qty.</b>	<b>UQ</b>	<b>A</b>	<b>Page</b>
1000	7295976	FEC20 No. 9300 0053	1	PCE	-	12

---

without figure

**1**

**7295976 FEC20 No. 9300 0053**

Pos.	Part no.	Designation	Qty.	UQ	A	Page
0010	7271218	machine frame bottom, complete FEC20	1	PCE	-	16
0020	7268113	Main drive complete FEC20	1	PCE	E	28
0030	7158609	Rotary disk locking mechanism	1	PCE	E	30
0040	7272977	cam guide FEC20 complete	1	PCE	E	32
0050	7301244	SCC FEC20 #0053 - Standard + Option RFID1		PCE	-	
0060	7301245	SCP FEC20 #0053 - Standard + Option cooling intern	1	PCE	-	
0070	7236621	Valve block 30x5/2 steel with peripherals	1	PCE	E	42
0080	7294122	E-parts drive compartment +DC=MA FEC20	1	PCE	-	44
0090	7268291	manifold cooling system FEC20	1	PCE	E	46
0091	7268262	Water cooling system integrated FEC20	1	PCE	E	48
0100	7268190	Pneumatic control FEC20 Basic	1	PCE	E	50
0101	7174285	Pneumatic controller for CFC function	1	PCE	E	54
0120	7301246	TBL FEC20 #0053 - Standard + Option tamping	1	PCE	-	
0130	7274945	drive discharge chute FEC20	1	PCE	E	56
0140	7269503	Compacting station, drive compartment FEC20	1	PCE	-	58
0150	7269502	fixing dosing, clamping system	1	PCE	E	68
0151	7269438	Option RFID Compacting station FEC20	1	PCE	E	70
0500	7279134	head piece universal FEC20	1	PCE	E	72
0510	7279382	machine cover plate FEC20	1	PCE	E	80
0520	7294124	E-parts upper part +HUP=MA FEC20	1	PCE	-	84
0530	7301247	TBU FEC20 #0053 - Standard + Option machine connection up + Option peripherie up + Option Pellet 4 + Option Pellet 5	1	PCE	-	
0580	7281300	extraction FEC20 complete	1	PCE	E	86
0590	7222036	Tamping station head piece, option	1	PCE	E	96
0630	7195050	Removal beam supporting pin, complete	1	PCE	E	104
0700	7299943	E-parts Option NMC HUP FEC20	1	PCE	-	106
1000	7179337	Corner column, complete	4	PCE	-	112
1100	7267979	rotary disk FEC20 complete	1	PCE	E	114
1200	7271060	Base middle column FEC20	1	PCE	E	118
1210	7270957	Mounting flange middle column complete FEC20	1	PCE	E	156
1230	7271095	CFC function+ RFID complete FEC20	1	PCE	E	158
1300	7272489	closing station FEC20	1	PCE	E	162
1310	7168235	Option: closing pin check YES	1	PCE	-	178
1400	7272992	ejection flap cpl. FEC20	1	PCE	E	186
1410	7161257	Ejection pins and drive	1	PCE	E	190
1420	7272734	discharge chute cpl. FEC20	1	PCE	E	198
1450	7272729	Adapter discharging channel FEC20	1	PCE	E	
1500	7235943	Filling cone row 1, complete	1	PCE	E	200
1510	7235945	Filling cone row 2, complete	1	PCE	E	202
1520	7235988	Filling cone peripherals for CFC	2	PCE	E	204



---

without figure

**1**

**7295976 FEC20 No. 9300 0053**

Pos.	Part no.	Designation	Qty.	UQ	A	Page
1600	7275641	basic machine cover FEC20	1	PCE	-	206
1610	7273984	Clip below MS1 MS3 FEC20 complete	2	PCE	-	248
1620	7182301	Clip MS2 MS4, below, complete	1	PCE	-	250
1630	7273977	Clip below MS4 MS-Connection complete	1	PCE	-	252
1800	7274904	suction cup cpl	1	PCE	E	254
1810	7275791	Option capsule separa. control FEC20 ja	1	PCE	E	260
1900	7273997	extraction n.g.K. FEC20 complete	1	PCE	E	264
2040	7274070	Suction temping-Pellet FEC20	2	PCE	E	268
3000	7186588	Tamping station with RFID, complete	1	PCE	-	270
3010	7222527	Compression segment with R=9.5N/mm; Fmax= 120N	1	PCE	-	
3011	7281500	compression spring VD-261	120	PCE	N	
3020	7186748	RFID dosing disk, complete	1	PCE	E	304
3030	7184013	Scraper PEEK	1	PCE	V	
3040	7182745	Compacting ring PAN WBZ8	1	PCE	E	
3050	7184961	Feeder, complete	1	PCE	-	306
3060	7260648	Midi metering drum 0,233L	1	PCE	E	
3070	7222867	Distributor cone, flat	1	PCE	E	318
5060	3504886	TOOL BOX	1	PCE	E	
5070	7280529	Toolbox FEC	1	PCE	-	320
6000	7236270	19" terminal, complete	1	PCE	E	322
6100	7243492	E-Parts FEC +HT =EXT	1	PCE	-	326
7011	7243324	downpipe deduster KCP10 FEC40 complete	1	PCE	E	328
7012	7243387	downpipe container 600 FEC40 complete	1	PCE	E	330

---

without figure

## 1.1

### 7271218 machine frame bottom, complete FEC20

Pos.	Part no.	Designation	Qty.	UQ	A	Page
0010	7271168	Baseplate FEC20	1	PCE	E	
0020	2143365	washer ISO7089-6-A2	16	PCE	N	
0030	2143478	Hexagon socket head cap screw ISO4762-M6x25-A2-70	2	PCE	N	
0040	7092573	Hexagon socket countersunk head screw ISO10642-M6x20-A2	6	PCE	E	
0050	7169584	HSH cap screw ISO 4762 M10x55 VA	13	PCE	N	
0060	2143497	Hexagon socket head cap screw ISO4762-M10x40-A2-70	11	PCE	N	
0070	2143778	Hexagon socket countersunk head screw ISO10642-M6x16-A2-70	14	PCE	N	
0080	7168797	Rubber-bonded metal rail, cooler	2	PCE	E	
0090	2143476	Hexagon socket head cap screw ISO4762-M6x16-A2-70	34	PCE	N	
0100	7040062	Hexagon socket countersunk head screw ISO10642-M4x12-10.9	4	PCE	E	
0110	7183097	Bottom clip holder, FEG, complete	8	PCE	-	22
0120	7183103	Maintenance flap contact surface	6	PCE	E	
0130	7183102	Limit for maintenance flap contact surface	6	PCE	E	
0140	7062250	Rubber-bonded metal buffer Form 25326 B	12	PCE	E	
0150	2143363	washer ISO7089-4-A2	12	PCE	N	
0160	7092113	Hexagon head bolt ISO4017-M4x40-A2-70	12	PCE	N	
0170	2144690	COUNTERSUNK SCREW DIN7991-M4X6-A2-70	24	PCE	N	
0180	2143449	Hexagon socket head cap screw ISO4762-M3x8-A2-70	4	PCE	N	
0190	7270339	intermediate plate FEC20	1	PCE	E	
0200	2143368	washer ISO7089-12-A2	8	PCE	N	
0210	2143503	Hexagon socket head cap screw ISO4762-M12x50-A2-70	12	PCE	N	
0220	2143480	Hexagon socket head cap screw ISO4762-M6x35-A2-70	38	PCE	N	
0230	7167637	Reinforcing block, long, dividing plate	1	PCE	E	
0240	7168770	Safety Switch PSEN 1.2p-22	1	PCE	E	
0250	2143475	Hexagon socket head cap screw ISO4762-M6x12-A2-70	44	PCE	N	
0260	7069444	Bracket for maintenance flap bottom	10	PCE	E	24
0270	7270521	table top (machine frame)	1	PCE	E	26
0280	2143502	Hexagon socket head cap screw ISO4762-M12x40-A2-70	10	PCE	N	
0300	7155262	Plate, Snaploc coupling	10	PCE	E	
0310	7080488	Coupling	26	PCE	E	
0320	7183089	Clip fixing retaining plate	8	PCE	E	
0330	7183100	Swan-neck cover	2	PCE	E	
0340	7166102	HSH SCREW, TOL. SMALL M6 MATERIAL: RUST & ACID-RESISTANT STEEL DIM.: 5 M6X 12-DISO22338-NIRO	4	PCE	N	



## 1.1

### 7271218 machine frame bottom, complete FEC20

Pos.	Part no.	Designation	Qty.	UQ	A	Page
0350	7269509	machine column, drive compartment	1	PCE	E	
0360	7271049	Swan-neck cover, left	2	PCE	E	
0370	7169589	Dowel pin iso 8733 12x24	2	PCE	N	
0380	7155333	Drive pedestal aligning plate	2	PCE	E	
0390	7169592	Levelling bolt	3	PCE	N	
0400	3796509	Hexagon socket head cap screw ISO4762-M16x60-A2-70	8	PCE	N	
0410	2141469	washer ISO7090-16-St	42	PCE	N	
0420	7169557	HSH cap screw ISO 4762 M16x90 VA	4	PCE	N	
0430	7080478	Ball-headed pin	10	PCE	N	
0440	9120152	Shim ring DIN988-8x14x0,5-A2	10	PCE	N	
0450	2143460	Hexagon socket head cap screw ISO4762-M4x16-A2-70	16	PCE	N	
0460	7270523	mounting shaft sealing ring	1	PCE	E	
0470	7211011	Countersunk screw ISO 10642 M3x10 VA	24	PCE	E	
0480	7272658	Hexagon socket head cap screw DIN7984-M20x60-A2-70	8	PCE	N	
0490	7250767	Reinforcement, compacting station intermediate plate	4	PCE	E	
0500	2143787	STRAIGHT PIN DIN7-5M6X16-A2	2	PCE	N	
0510	7195776	Hexagon screw ISO 4017 M16x60 VA	24	PCE	N	
0520	7269508	machine column, drive compartment	1	PCE	E	
0530	7155201	Angled aluminium profile	9	PCE	E	
0540	7269510	machine column, drive compartment	2	PCE	E	
0550	7170118	Spacer plate, machine column cooling unit	2	PCE	E	
0560	7185007	Pipe mounting sleeve	1	PCE	E	
0570	2143504	Hexagon socket head cap screw ISO4762-M12x60-A2-70	8	PCE	N	
0580	7270625	orifice plate compacting station frame	3	PCE	E	
0590	7152686	Extraction unit cover, base plate	1	PCE	E	
0600	7155328	Drive pedestal side wall	2	PCE	E	
0610	7219095	Maintenance flap holder plate	2	PCE	E	
0620	2143473	Hexagon socket head cap screw ISO4762-M6x8-A2-70	8	PCE	N	
0630	7167629	Orifice plate	1	PCE	E	
0640	7253649	Switch cabinet spacer plate	2	PCE	E	
0650	7262060	Machine foot UMS5-ASA-Z-20-2 H102	2	PCE	E	
0660	2143506	Hexagon socket head cap screw ISO4762-M16x50-A2-70	2	PCE	N	
0670	7261703	Machine foot reinforcing plate	4	PCE	E	
0680	2143716	cylinder head screw DIN6912-M8x25-A2-70	16	PCE	N	
0690	7262056	Machine foot MD+UMS5-ASA_20-2 H119	4	PCE	E	
0700	7262045	HSH cap screw ISO 4762 M16x95VA	4	PCE	N	
0710	7168798	Sealing mat, main cooling unit	1	PCE	E	
0720	7262110	Base plate cross-beam	1	PCE	E	
0730	7261676	Protective plate for HSH cap screw, foot	1	PCE	E	



## 1.1

### 7271218 machine frame bottom, complete FEC20

Pos.	Part no.	Designation	Qty.	UQ	A	Page
0740	7261652	Sheet metal cover, cable	1	PCE	E	
0750	7264029	Sheet metal base plate, switch cabinet door	5	PCE	E	
0760	7264049	Sheet metal air duct, switch cabinet door	4	PCE	E	
0770	7264216	Brush, switch cabinet door	4	PCE	N	
0780	2143761	COUNTERSUNK SCREW DIN7991-M4X8-A2-70	16	PCE	N	
0790	7270943	stiffening intermediate plate	2	PCE	E	
0800	7251830	HSH cap screw ISO 4762 M4x55 VA	2	PCE	N	
0810	7271023	Angled aluminium profile	1	PCE	E	
0820	7188785	Safety switch fixing plate	1	PCE	E	
0830	2143457	Hexagon socket head cap screw ISO4762-M4x8-A2-70	2	PCE	N	
0840	7269504	stiffening column, machine frame	2	PCE	E	
0850	7270883	orifice plate drain left	1	PCE	E	
0860	7270887	orifice plate drain right	1	PCE	E	
0870	7155331	Mounting rod, upper drive pedestal	2	PCE	E	
0880	7254107	Machine mount, L conveyor	4	PCE	E	
0890	3720007	Hexagon head bolt ISO4014-M24x80-A2-70	4	PCE	N	
0900	2143374	washer ISO7089-24-A2	4	PCE	N	
0910	7271099	contacting surface maintenance flap	1	PCE	E	
0920	7158697	Dowel pin ISO 22338- A- 4x12 VA	3	PCE	N	
0930	7271100	expansion sleeve, extraction channel	3	PCE	E	
0940	7271113	Pipe mounting sleeve FEC20	3	PCE	E	
0950	7215310	Hexagon socket head cap screw ISO4762-M12x35-A2-70	8	PCE	N	
0960	7271183	shaft sealing ring 799x813,4x8,4	1	PCE	N	
0970	7155324	Drive pedestal side wall, large	2	PCE	E	
0980	7155329	Drive pedestal base plate	1	PCE	E	
0990	7292796	Blind cover extraction canal FEC20	2	PCE	E	
1000	7155474	Edge protection incl sealing	0.800	MTR	E	





### 1.1.1

#### 7183097 Bottom clip holder, FEG, complete

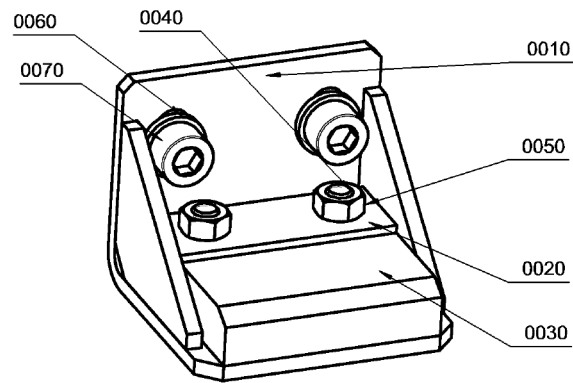
Pos.	Part no.	Designation	Qty.	UQ	A	Page
0010	7183092	Clip holder retaining bracket	8	PCE	E	
0020	7183096	Clip holder guide block	8	PCE	E	
0030	7134424	Threaded bushing	8	PCE	E	
0040	7040086	Coupling plate fastening with coil	8	PCE	E	
0050	2143567	Hexagon head bolt ISO4017-M6x16-A2-70	24	PCE	N	
0060	2143365	washer ISO7089-6-A2	24	PCE	N	



## 1.1.2

### 7069444 Bracket for maintenance flap bottom

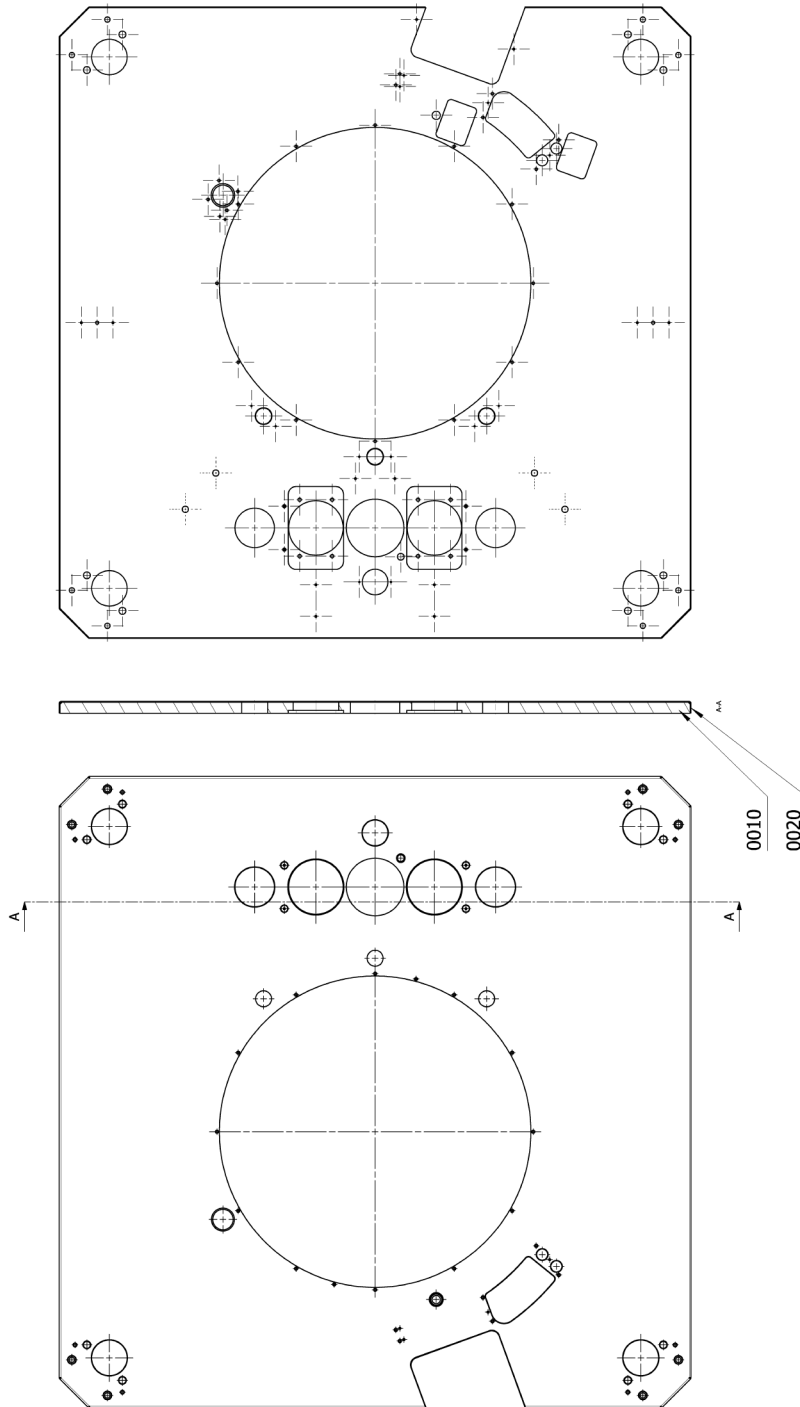
Pos.	Part no.	Designation	Qty.	UQ	A	Page
0010	7069407	Retaining bracket	10	PCE	E	
0020	7071495	Damper for bracket maintenance flaps	10	PCE	E	
0030	7069421	Sheet	10	PCE	E	
0040	7069434	Spacer	20	PCE	E	
0050	2143602	Hexagon nut ISO4032-M5-A2-70	20	PCE	N	
0060	7197676	washer ISO7089-6-A4	20	PCE	N	
0070	2143475	Hexagon socket head cap screw ISO4762-M6x12-A2-70	20	PCE	N	



---

**1.1.3**  
**7270521 table top (machine frame)**

<b>Pos.</b>	<b>Part no.</b>	<b>Designation</b>	<b>Qty.</b>	<b>UQ</b>	<b>A</b>	<b>Page</b>
0020	7270398	metal paneling table top FEC20	1	PCE	E	
0030	3756005	cast plastic V608D	10	KGM	-	
0040	3701035	HÄRTER F.GUSSKUNSTS.V608D	1	KGM	-	

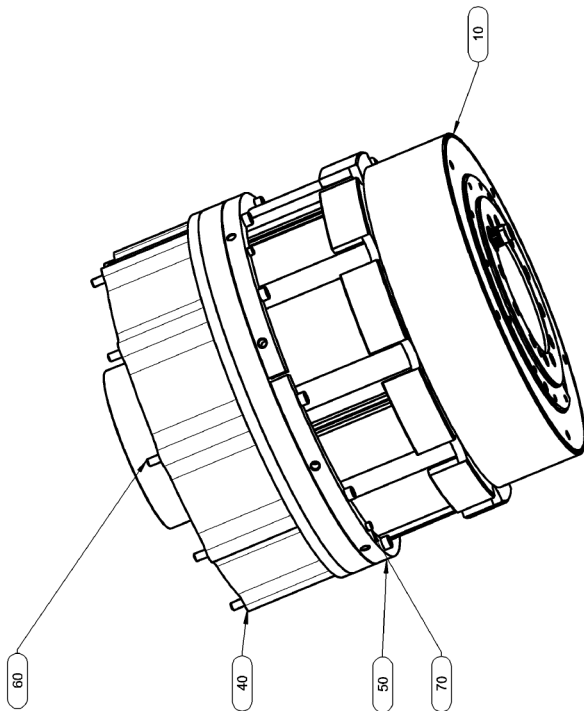
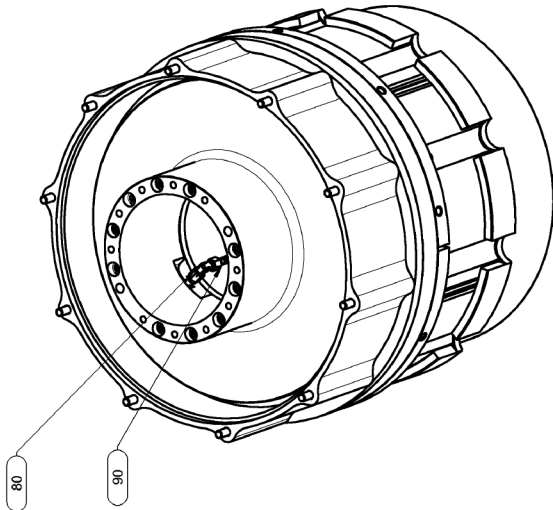


## 1.2

### 7268113 Main drive complete FEC20

Pos.	Part no.	Designation	Qty.	UQ	A	Page
0010	7150989	External rotor - Torquemotor	1	PCE	E	
0040	7250961	Distance ring for main drive FEC	1	PCE	-	
0050	7268085	locking ring FEC20 mounting set	1	PCE	E	
0060	7158606	Hexagon socket head cap screw ISO4762-M10x210-A2-70	10	PCE	E	
0070	2143481	Hexagon socket head cap screw ISO4762-M6x40-A2-70	4	PCE	N	
0080	7158604	Threaded elbow joint R1/8 to G1/8	4	PCE	E	
0090	7158605	hose fitting R1/8-7mm	2	PCE	E	





### 1.3

#### 7158609 Rotary disk locking mechanism

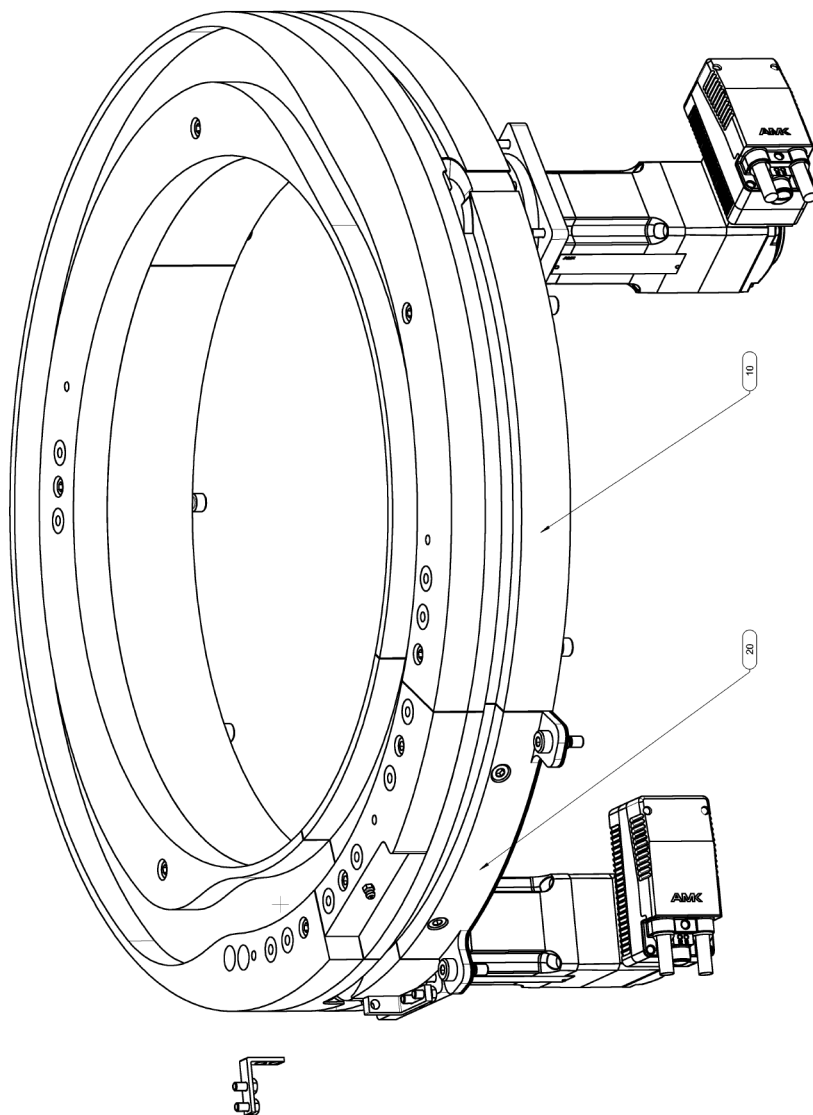
Pos.	Part no.	Designation	Qty.	UQ	A	Page
0010	7158441	Guide, rotary disk locking mechanism	1	PCE	-	
0020	7158439	Shim 1 mm	1	PCE	-	
0030	7158440	Shim 0.5 mm	1	PCE	-	
0040	2143477	Hexagon socket head cap screw ISO4762-M6x20-A2-70	4	PCE	N	
0050	7158608	Flat cylinders Single acting	1	PCE	E	
0060	2143462	Hexagon socket head cap screw ISO4762-M4x25-A2-70	4	PCE	N	
0070	3796806	L-push-in fitting QSML-M5-6	1	PCE	N	
0080	7158437	Locking mechanism transverse force transducer	1	PCE	E	
0090	7158438	Rotary disk locking pin	1	PCE	E	
0100	7177092	Proximity switch for SMC cylinder	2	PCE	E	



## 1.4

### 7272977 cam guide FEC20 complete

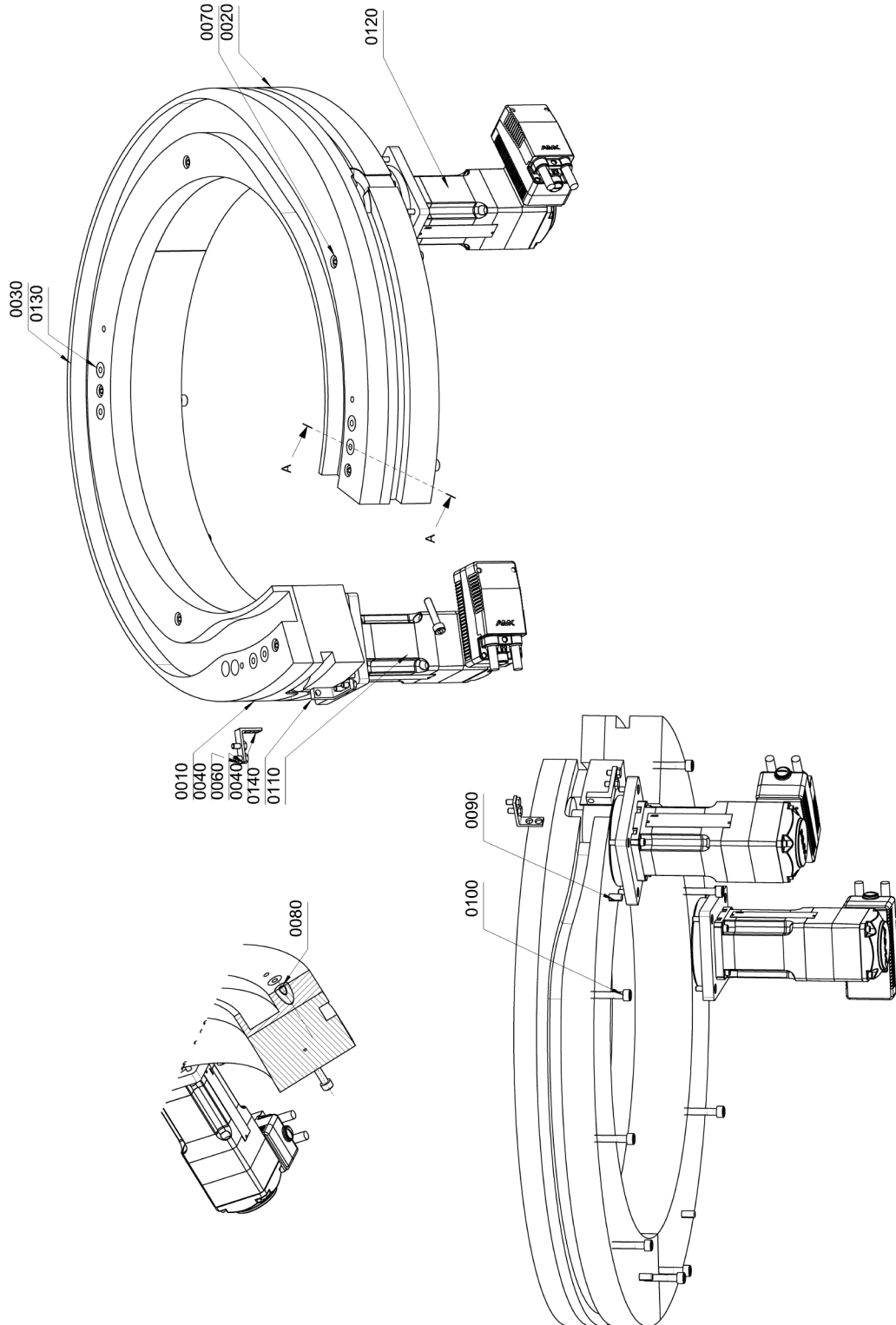
Pos.	Part no.	Designation	Qty.	UQ	A	Page
0010	7272976	cam guide, track cam, FEC20 complete	1	PCE	-	34
0020	7272970	cam guide, remoaval opening, FEC20 compl	1	PCE	-	40



### 1.4.1

#### 7272976 cam guide, track cam, FEC20 complete

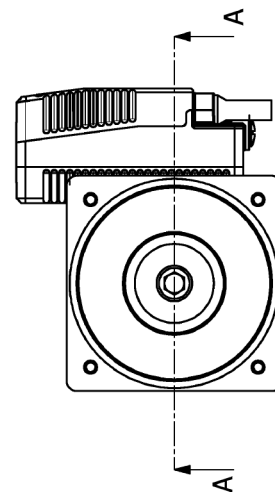
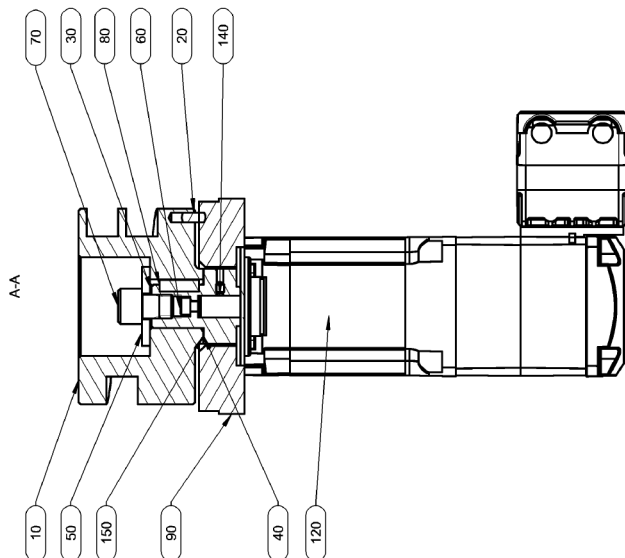
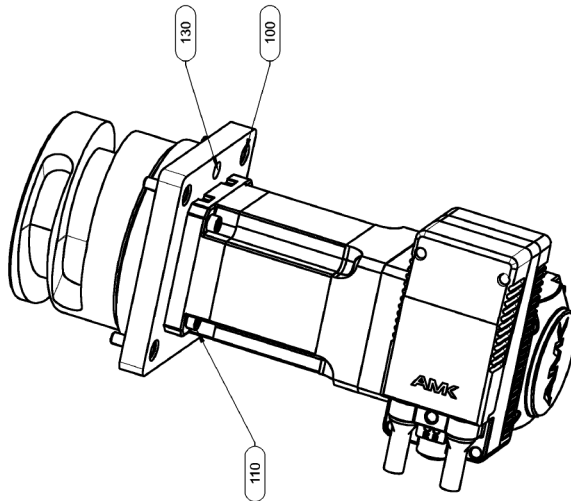
Pos.	Part no.	Designation	Qty.	UQ	A	Page
0010	7272844	track cam, opening, FEC20	1	PCE	E	
0020	7272835	track cam, closing, FEC20	1	PCE	E	
0030	7272195	cam guide rocker finger	1	PCE	E	
0040	7159133	Fixing bracket, pot curve lift sensor	1	PCE	E	
0050	9112758	Proximity switch inductiv M8, L=45mm, Sn=6mm 2m cable	2	PCE	E	
0060	2143566	Hexagon head bolt ISO4017-M6x12-A2-70	4	PCE	N	
0070	2143487	Hexagon socket head cap screw ISO4762-M8x35-A2-70	6	PCE	N	
0080	2142713	DOWEL PIN 8 M6X40 DIN 6325	3	PCE	N	
0100	2143488	Hexagon socket head cap screw ISO4762-M8x40-A2-70	9	PCE	N	
0110	7158863	Pot curve 20mm	1	PCE	E	36
0120	7263958	Pot curve 4mm, closing, complete	1	PCE	E	38
0130	7272952	press-in sleeve positioning pin cam guide	6	PCE	E	
0140	7304954	Fixing bracket, pot curve lift sensor	1	PCE	E	



### 1.4.1.1 7158863 Pot curve 20mm

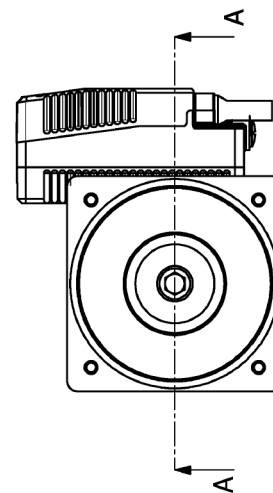
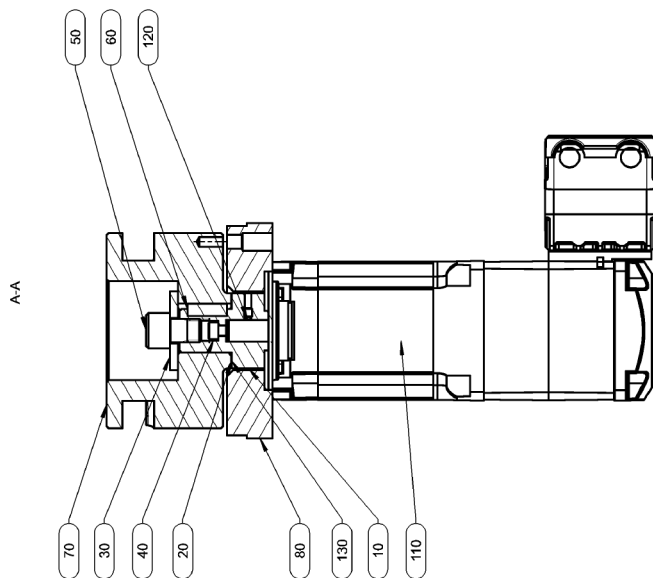
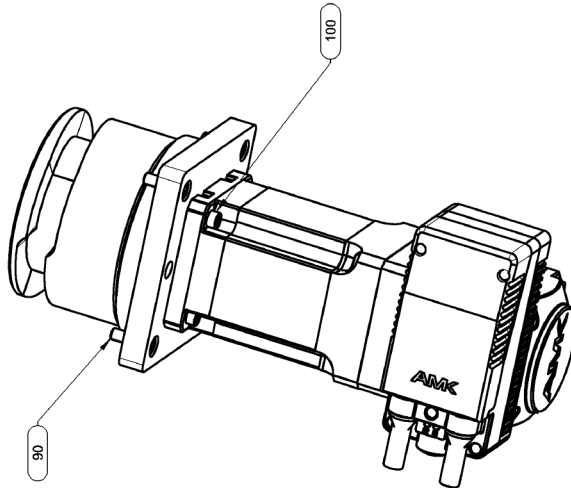
Pos.	Part no.	Designation	Qty.	UQ	A	Page
0010	7158443	pot curve 20mm	1	PCE	E	
0020	9195238	Dowel pin ISO 2338 - A4 - 5m6x12 D = 5 mm L = 12mm Material: A4	1	PCE	E	
0030	7280945	Coupling track cam	1	PCE	E	
0040	2145925	Shim ring DIN988-22x30x0,2-St	1	PCE	N	
0050	7186403	Plain washer	1	PCE	N	
0060	2143465	Hexagon socket head cap screw ISO4762-M5x12-A2-70	1	PCE	N	
0070	7186400	Hexagon socket head cap screw ISO4762-M12x16-A2-70	1	PCE	N	
0080	3759206	Feather key A 6X 6X 20-DIN6885	1	PCE	-	
0090	7158444	Flange plate, pot curve drive	1	PCE	-	
0100	2143476	Hexagon socket head cap screw ISO4762-M6x16-A2-70	4	PCE	N	
0110	2143467	Hexagon socket head cap screw ISO4762-M5x20-A2-70	4	PCE	N	
0120	7165111	servo motor ihXT4-2-10-PB0-3500-E mit FU	1	PCE	E	
0130	2130905	Proximity switch inductive, M8, Sn=2mm, cable	1	PCE	E	
0140	3700125	hexagon socket set screw with dog point ISO4028-M4x6-45H-St	3	PCE	N	
0150	2145924	Shim ring DIN988-22x30x0,1-St	1	PCE	N	





**1.4.1.2**  
**7263958 Pot curve 4mm, closing, complete**

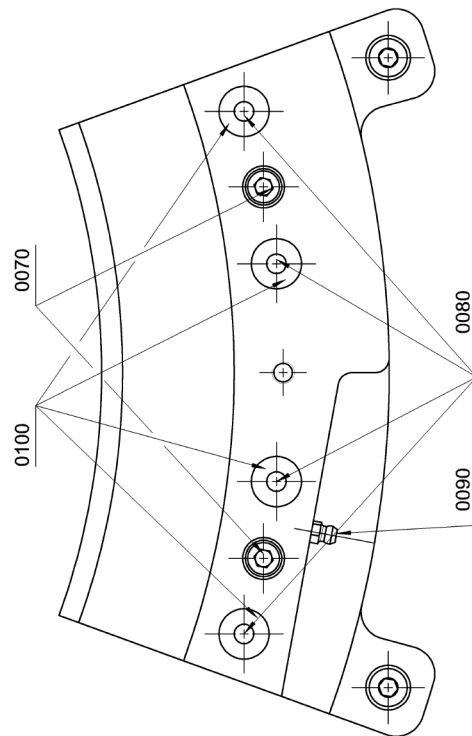
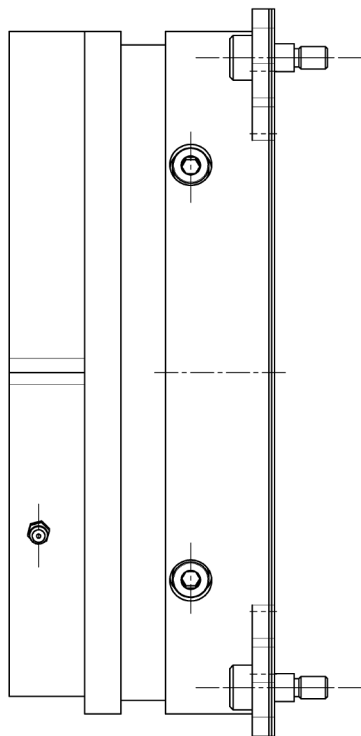
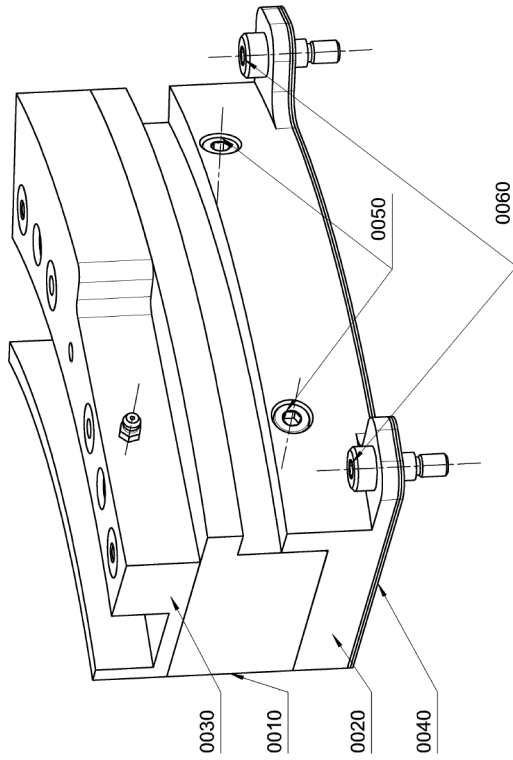
Pos.	Part no.	Designation	Qty.	UQ	A	Page
0010	7280945	Coupling track cam	1	PCE	E	
0020	2145925	Shim ring DIN988-22x30x0,2-St	1	PCE	N	
0030	7186403	Plain washer	1	PCE	N	
0040	2143465	Hexagon socket head cap screw ISO4762-M5x12-A2-70	1	PCE	N	
0050	7186400	Hexagon socket head cap screw ISO4762-M12x16-A2-70	1	PCE	N	
0060	3759206	Feather key A 6X 6X 20-DIN6885	1	PCE	-	
0070	7270878	track cam 4mm closure 160-20 deg	1	PCE	E	
0080	7158444	Flange plate, pot curve drive	1	PCE	-	
0090	2143476	Hexagon socket head cap screw ISO4762-M6x16-A2-70	4	PCE	N	
0100	2143467	Hexagon socket head cap screw ISO4762-M5x20-A2-70	4	PCE	N	
0110	7165111	servo motor ihXT4-2-10-PB0-3500-E mit FU	1	PCE	E	
0120	3700125	hexagon socket set screw with dog point ISO4028-M4x6-45H-St	3	PCE	N	
0130	2145924	Shim ring DIN988-22x30x0,1-St	1	PCE	N	



## 1.4.2

### 7272970 cam guide, removal opening, FEC20 compl

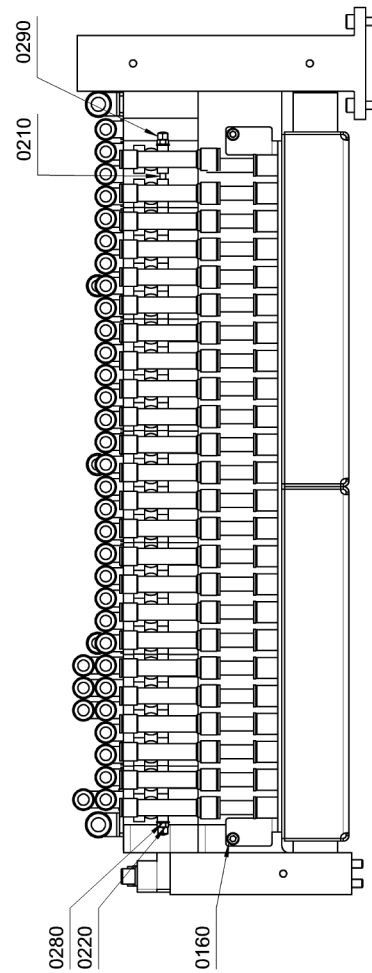
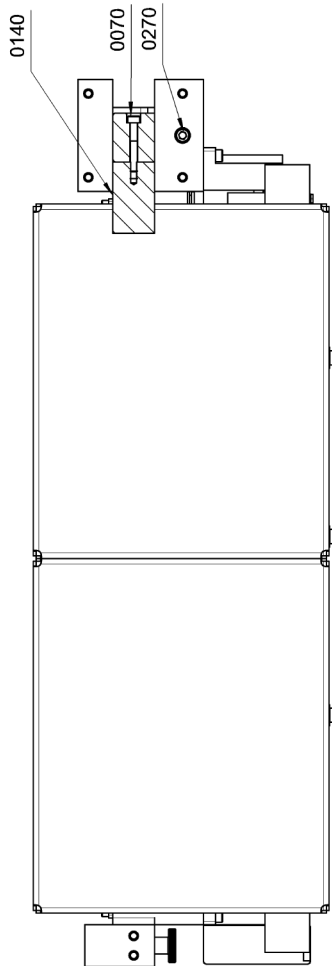
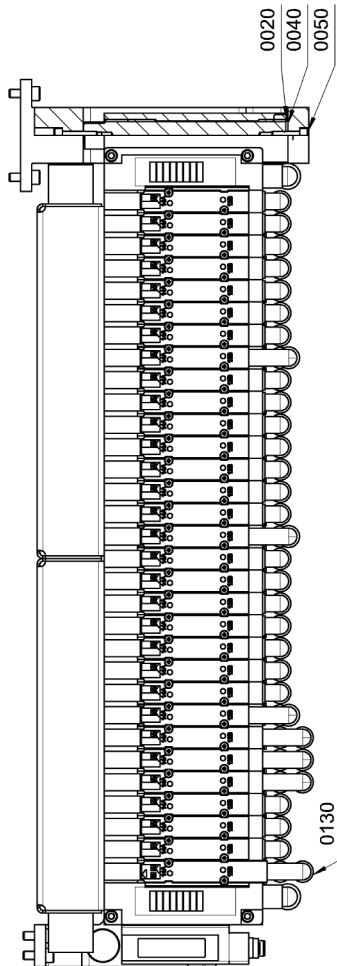
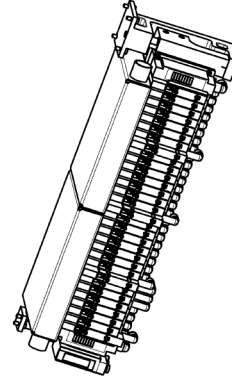
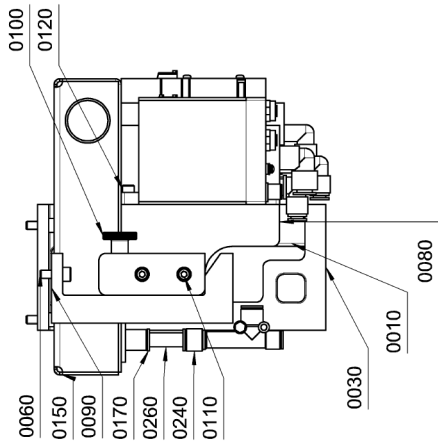
Pos.	Part no.	Designation	Qty.	UQ	A	Page
0010	7272694	cam guide, removal opening FEC20	1	PCE	E	
0020	7272197	fixing, cam guide, removal opening	1	PCE	E	
0030	7272196	cam guide, rocker finger, removal opening	1	PCE	E	
0040	7272695	tuning plate Laminum 2mm removal opening	1	PCE	E	
0050	2142030	CAP SCREW DIN912-M8X25-10.9	2	PCE	N	
0060	9180762	Adjusting screw	2	PCE	E	
0070	2143487	Hexagon socket head cap screw ISO4762-M8x35-A2-70	2	PCE	N	
0080	2142713	DOWEL PIN 8 M6X40 DIN 6325	2	PCE	N	
0090	7171648	Grease nipple DIN 71412 H1 M5x0.8 straight	1	PCE	N	
0100	7272952	press-in sleeve positioning pin cam guide	4	PCE	E	



## 1.5

### 7236621 Valve block 30x5/2 steel with peripherals

Pos.	Part no.	Designation	Qty.	UQ	A	Page
0010	7236487	manifold fixing, right	1	PCE	E	
0020	7121672	Ball bearing	2	PCE	E	
0030	7177567	manifold mounting, right	1	PCE	E	
0040	7177617	valve-ejector block rotation axis	1	PCE	E	
0050	2143477	Hexagon socket head cap screw ISO4762-M6x20-A2-70	1	PCE	N	
0060	2143476	Hexagon socket head cap screw ISO4762-M6x16-A2-70	6	PCE	N	
0070	2143470	Hexagon socket head cap screw ISO4762-M5x35-A2-70	2	PCE	N	
0080	7236486	Manifold fixing, left	1	PCE	E	
0090	7177647	manifold mounting, left	1	PCE	E	
0100	7306785	Knurled thumb screw DIN464-M6x40-A2	1	PCE	N	
0110	2143472	Hexagon socket head cap screw ISO4762-M5x55-A2-70	2	PCE	N	
0120	2143466	Hexagon socket head cap screw ISO4762-M5x16-A2-70	4	PCE	N	
0130	7236532	valve control unit SMC SY5000	1	PCE	N	
0140	7236489	Valve block connecting rod	1	PCE	E	
0150	7274776	extraction terminal manifold welded part	1	PCE	E	
0160	2143464	Hexagon socket head cap screw ISO4762-M5x10-A2-70	2	PCE	N	
0170	7236573	KQ2S10-01AS plug-in connector, straight, 10mm	24	PCE	N	
0210	7236613	threaded rod, vacuum filter fixing	1	PCE	E	
0220	2143601	Hexagon nut ISO4032-M4-A2-70	2	PCE	N	
0240	7236579	ZH13DLA-08-10-10N vacuum ejector	24	PCE	N	
0260	7236585	KQ2N10-99 straight coupling	24	PCE	N	
0270	2143478	Hexagon socket head cap screw ISO4762-M6x25-A2-70	1	PCE	N	
0280	2143363	washer ISO7089-4-A2	2	PCE	N	
0290	9098904	cap nut DIN917-M4-A2-70	2	PCE	N	



## 1.6

### 7294122 E-parts drive compartment +DC=MA FEC20

Pos.	Part no.	Designation	Qty.	UQ	A	Page
0010	7201078	Connector, male, straight, 3-pos, M8 x1, cable 2.5 - 5.1mm Cross-sectional area 0.14 - 0.34 mm <sup>2</sup>	3	PCE	E	
0020	3706507	PU-Hose blue, d=6mm/4mm, 8bar 20GrC	0.300	MTR	N	
0030	7211524	lowpress. hose	1	MTR	N	
0040	7247674	Hose fitting	4	PCE	N	
0050	7212452	lowpress. hose	2.300	MTR	E	
0060	7247676	Hose fitting	2	PCE	N	
0080	7277516	blanking plug d=12mm, QSC-12H	1	PCE	N	
0090	3712009	blanking plug d=8mm, QSC-8H	2	PCE	N	
0110	7022781	WIRING DUCT SLOTTED, GREY H40xB40mm	0.001	MTR	E	
0120	7293510	M8x1 4P EtherCAT connection 2m	1	PCE	E	
0130	7293576	M8x1/M12x1 cable EtherCAT gst-wst 1,5m	1	PCE	E	
0140	7293795	M12x1 cable EtherCAT wst-gbu 3,5m	1	PCE	E	
0150	7213989	Sensor-/actuator-extension cable 3m PVC 5x0,25mm <sup>2</sup> with M12x1 plug and socket 5-pos. straight CUL	1	PCE	E	
0160	3706507	PU-Hose blue, d=6mm/4mm, 8bar 20GrC	0.300	MTR	N	
0180	7211524	lowpress. hose	1	MTR	N	
0190	7212452	lowpress. hose	2	MTR	E	
0220	9185630	PU hose d = 8mm / 5mm blue 8bar	1.200	MTR	N	
0250	7200244	Hybridcable drivecontrol	3	PCE	E	
0280	7200235	Hybridcable drivecontrol	1	PCE	E	
0290	2133190	END-ANGLE FOR TS35	2	PCE	E	
0300	7044271	SEAL PLATE GREY ORANGE 1mm	1	PCE	-	
0310	7048478	Terminal green/yellow 3x 0,5..10mm <sup>2</sup>	2	PCE	E	
0330	2134481	Wire end ferrule 2,5mm <sup>2</sup> blue	2	PCE	-	
0340	2134849	Wire end ferrule 6mm <sup>2</sup> yellow	3	PCE	-	
0350	2137888	M12x1 5pin 1:1 T-distributor, female-female-male	1	PCE	E	
0370	7270084	Blind Plug G1/2 VA	1	PCE	N	
0380	7306283	screening plate M12 plug	2	PCE	E	
0410	3781107	Plug-in connection QS-6	1	PCE	N	
0420	2137888	M12x1 5pin 1:1 T-distributor, female-female-male	1	PCE	E	



---

without figure

## 1.7

### 7268291 manifold cooling system FEC20

Pos.	Part no.	Designation	Qty.	UQ	A	Page
0040	9176649	Hexagon nut ISO4032-M8-brass	4	PCE	E	
0050	7210710	Threaded pin DIN 913 M8x50-VA	2	PCE	E	

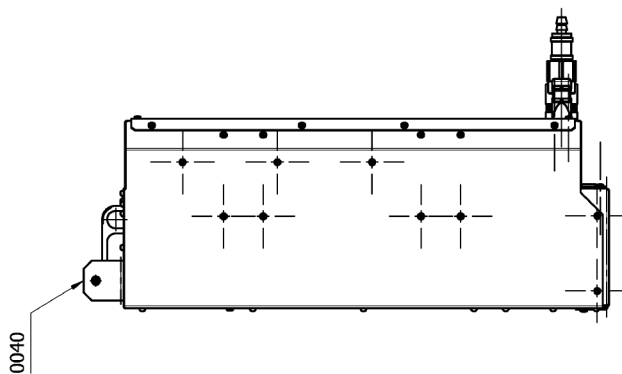
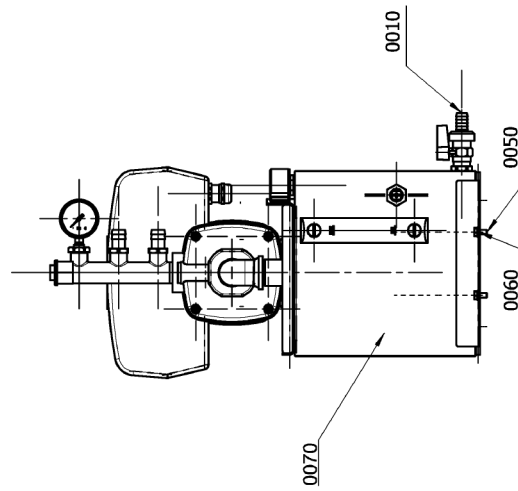
---

without figure

## 1.8

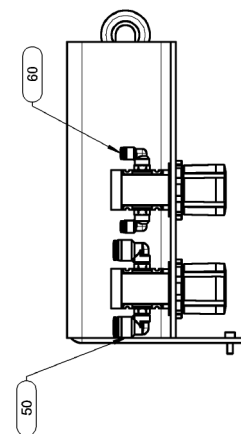
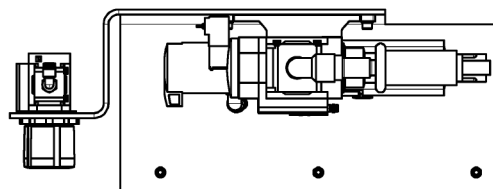
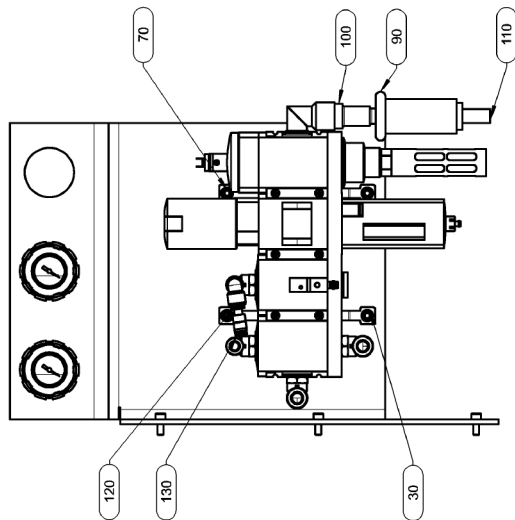
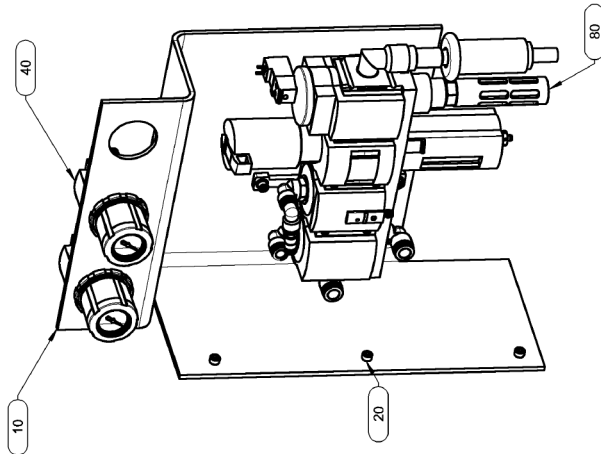
### 7268262 Water cooling system integrated FEC20

Pos.	Part no.	Designation	Qty.	UQ	A	Page
0010	7169761	pump unit cooling system	1	PCE	N	
0040	7169756	heat exchange unit	1	PCE	N	
0050	2143566	Hexagon head bolt ISO4017-M6x12-A2-70	4	PCE	N	
0060	2143365	washer ISO7089-6-A2	4	PCE	N	
0070	9128939	Castrol Motorcycle Coolant; 1 packaging unit = 1 l	20	LTR	E	



## 1.9 7268190 Pneumatic control FEC20 Basic

Pos.	Part no.	Designation	Qty.	UQ	A	Page
0010	7268189	Mounting plate pneumatic control FEC20	1	PCE	E	
0020	2143476	Hexagon socket head cap screw ISO4762-M6x16-A2-70	3	PCE	N	
0030	2141464	washer ISO7090-6-St	4	PCE	N	
0040	7220438	Pressure regulator	2	PCE	N	
0050	7220494	Push-in fitting	2	PCE	N	
0060	7220504	L-fitting QSL-1_4-6	2	PCE	N	
0070	2143475	Hexagon socket head cap screw ISO4762-M6x12-A2-70	4	PCE	N	
0080	7221730	Maintenance unit MSB6-1_2	1	PCE	N	
0090	7220515	Express coupling	1	PCE	N	
0100	7220525	Coupling plug	1	PCE	N	
0110	7220526	Hose nozzle	1	PCE	N	
0120	7079003	Push-in L-connector QSL-H-10-8	1	PCE	N	
0130	3755507	PLUG-IN COUPLING QS-8H-6	1	PCE	N	
0140	7294126	E-parts service unit +PSU=MA FEC20	1	PCE	-	52



Pos. 140 ist E-Teile-Wartungseinheit

## 1.9.1

### 7294126 E-parts service unit +PSU=MA FEC20

Pos.	Part no.	Designation	Qty.	UQ	A	Page
0010	7079003	Push-in L-connector QSL-H-10-8	1	PCE	N	
0020	3755507	PLUG-IN COUPLING QS-8H-6	1	PCE	N	
0030	9150219	PU-Hose blue, d=10mm/6,5mm, 8bar 20°C	1.800	MTR	N	
0040	9150378	PU-Hose blue, d=12mm/8mm, 8bar 20°C	0.550	MTR	E	
0050	9150378	PU-Hose blue, d=12mm/8mm, 8bar 20°C	0.200	MTR	E	



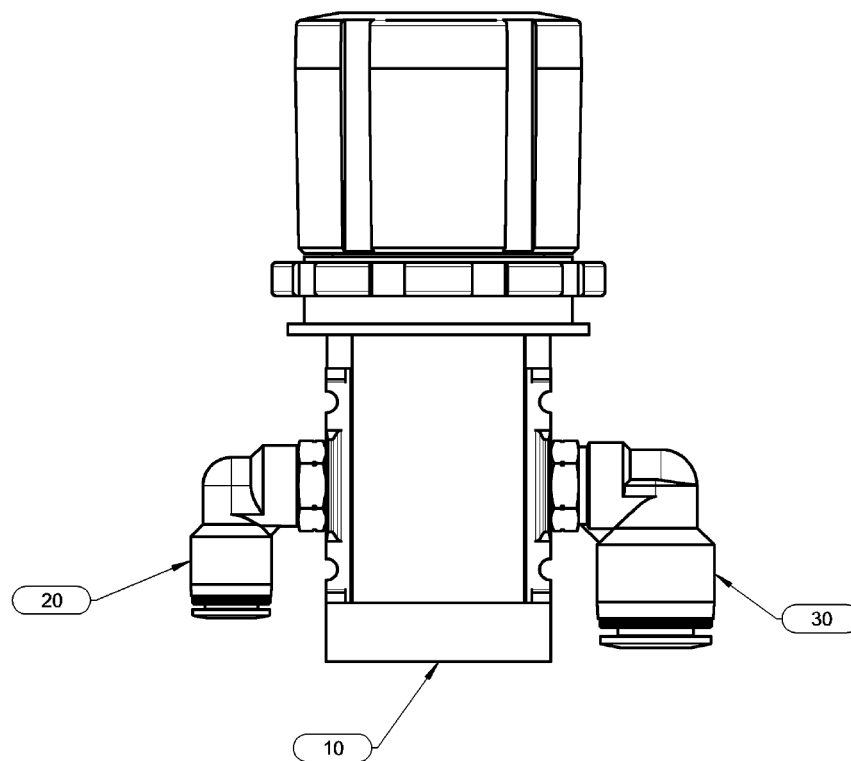
---

without figure

## 1.10

### 7174285 Pneumatic controller for CFC function

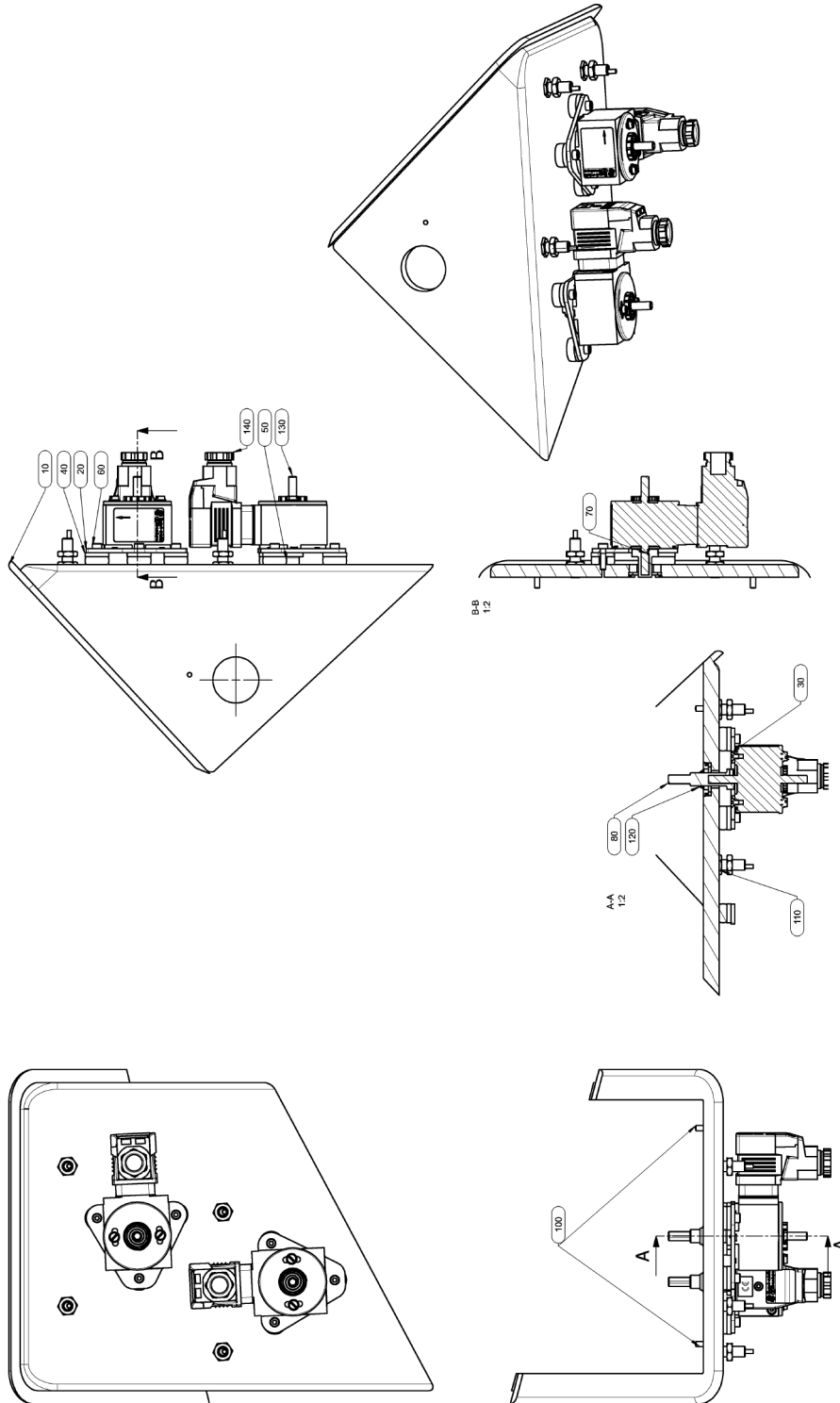
Pos.	Part no.	Designation	Qty.	UQ	A	Page
0010	7220438	Pressure regulator	1	PCE	N	
0020	7155408	L-push-in fitting QSL-1/4-8	1	PCE	E	
0030	7220494	Push-in fitting	1	PCE	N	



## 1.11

### 7274945 drive discharge chute FEC20

Pos.	Part no.	Designation	Qty.	UQ	A	Page
0010	7273286	mounting part discharge chute FEC20	1	PCE	E	
0020	7201128	Rotary magnet retaining plate	2	PCE	E	
0030	2144690	COUNTERSUNK SCREW DIN7991-M4X6-A2-70	4	PCE	N	
0040	9112769	Spacer sleeve d=18 t=3mm	6	PCE	E	
0050	9153043	Fibroflex-spring diameter 16mm	6	PCE	V	
0060	2143460	Hexagon socket head cap screw ISO4762-M4x16-A2-70	6	PCE	N	
0070	7192272	grub screw ISO4026-M3x8-A2	2	PCE	N	
0080	7168091	Rotary magnet transmission shaft	2	PCE	E	
0100	2143282	STRAIGHT PIN DIN7-4M6X 10 -NIRO	2	PCE	N	
0110	7307985	Magnetic Initiator M8x30 Sa60mm, LED red, NPN (NO)M8 Connector 3pol	4	PCE	E	
0120	7168082	Shaft sealing ring	2	PCE	V	
0130	7206701	rotary magnet 95Gr	2	PCE	E	
0140	7206702	Valve connector A-DIN PWM	2	PCE	E	



## 1.12

### 7269503 Compacting station, drive compartment FEC20

Pos.	Part no.	Designation	Qty.	UQ	A	Page
0020	7152260	Compacting station, comfort	1	PCE	-	60

---

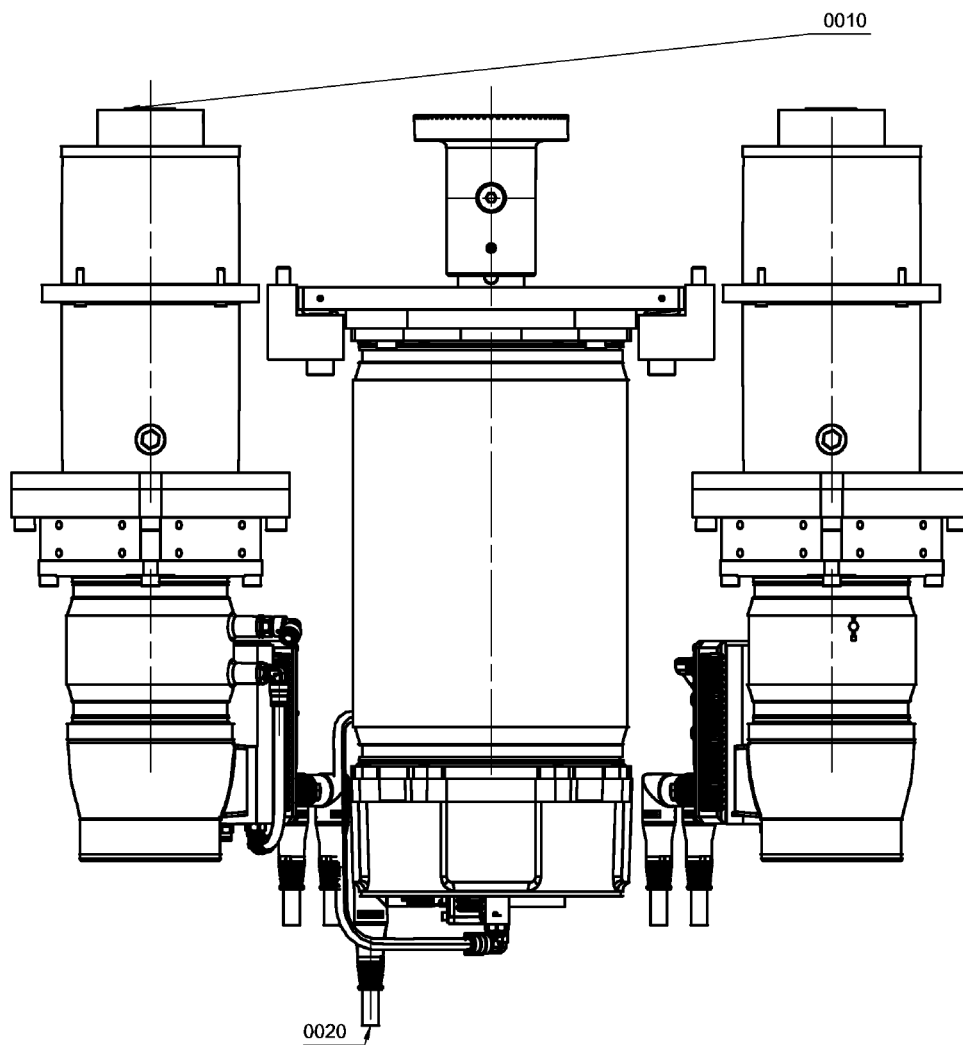
without figure

## 1.12.1

### 7152260 Compacting station, comfort

Pos.	Part no.	Designation	Qty.	UQ	A	Page
0010	7152258	Lifting drive complete	2	PCE	E	62
0020	7152263	rotary drive complete	1	PCE	E	64

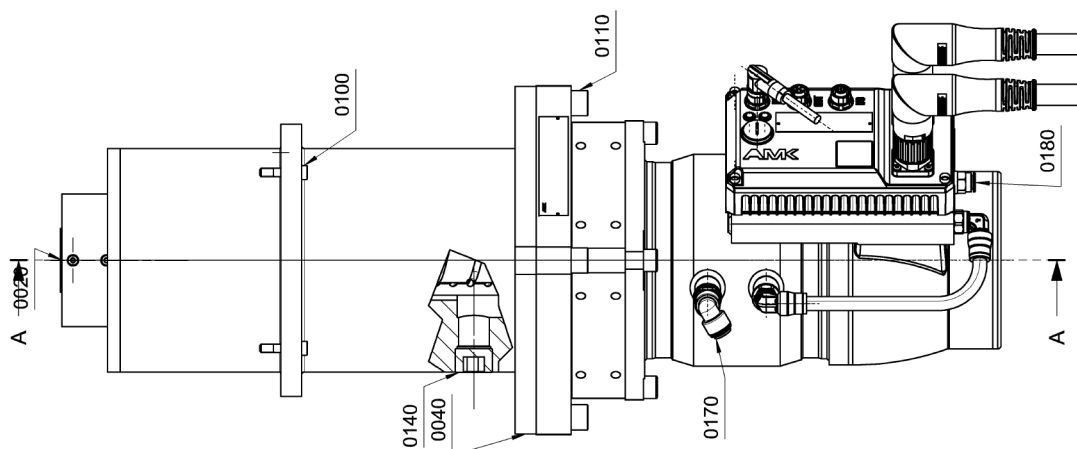
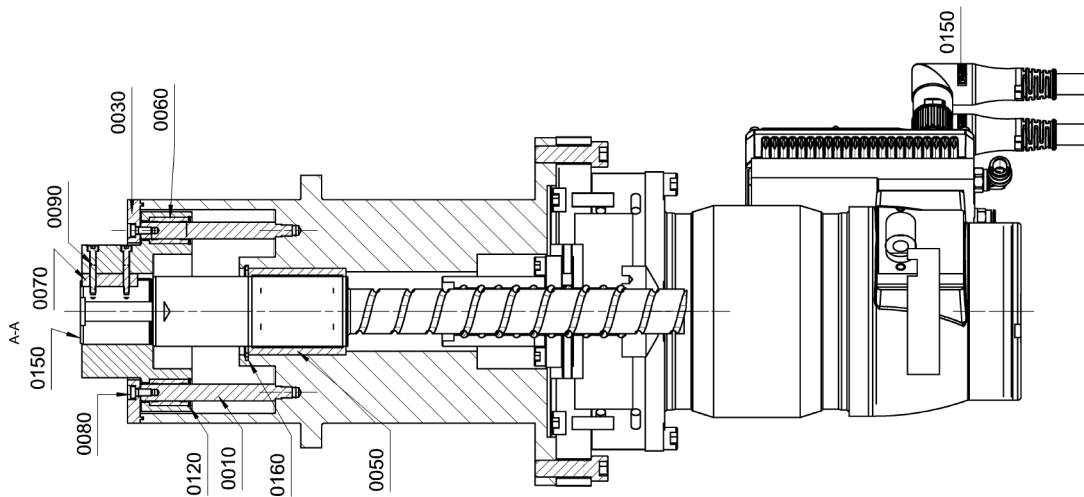
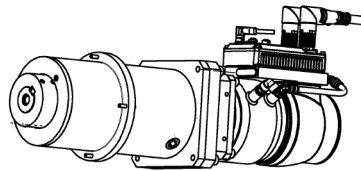




### 1.12.1.1

#### 7152258 Lifting drive complete

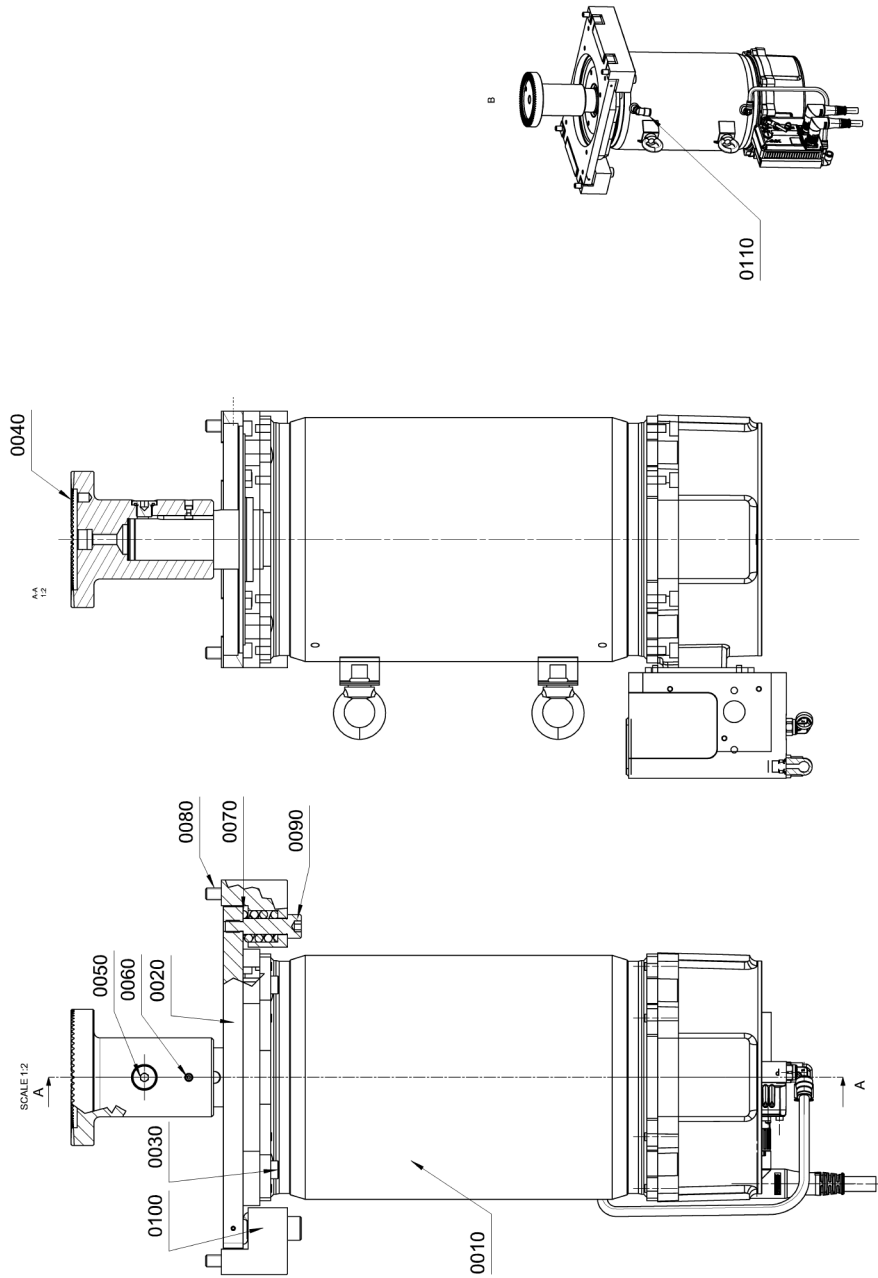
Pos.	Part no.	Designation	Qty.	UQ	A	Page
0010	7152046	Guide spindle	4	PCE	E	
0020	7152045	Dust seal	2	PCE	E	
0030	7152044	Motor bell cover	2	PCE	E	
0040	7152042	Motor bell housing	2	PCE	E	
0050	7152169	Ball bushing	2	PCE	N	
0060	7152168	Ball bushing	4	PCE	N	
0070	7152048	Parallel key A14x9x40	2	PCE	E	
0080	7003948	Hexagon socket head cap screw ISO4762-M5x12-A4-70	4	PCE	E	
0090	2145810	Hexagon socket head cap screw ISO4762-M4x30-A2-70	4	PCE	N	
0100	2143479	Cylinder screw ISO4762-M6x30-A2-70	8	PCE	N	
0110	2141968	Hexagon socket head cap screw ISO4762-M12x40-8.8	8	PCE	N	
0120	3703808	Locking ring DIN472-19x1-A2	4	PCE	N	
0140	7250643	Screw plug VA-R3/4 Stainless steel Part number: 0285 27 00	2	PCE	N	
0150	7151887	lifting spindle 32x25 for SKT7	2	PCE	E	
0160	2141568	Locking ring DIN472-62x2-St	2	PCE	N	
0170	7302488	Angle plug connection G 1/4 inch-8mm	2	PCE	N	
0180	7302490	straight plug connection G 1/4 inch-8mm	2	PCE	E	



## 1.12.1.2

### 7152263 rotary drive complete

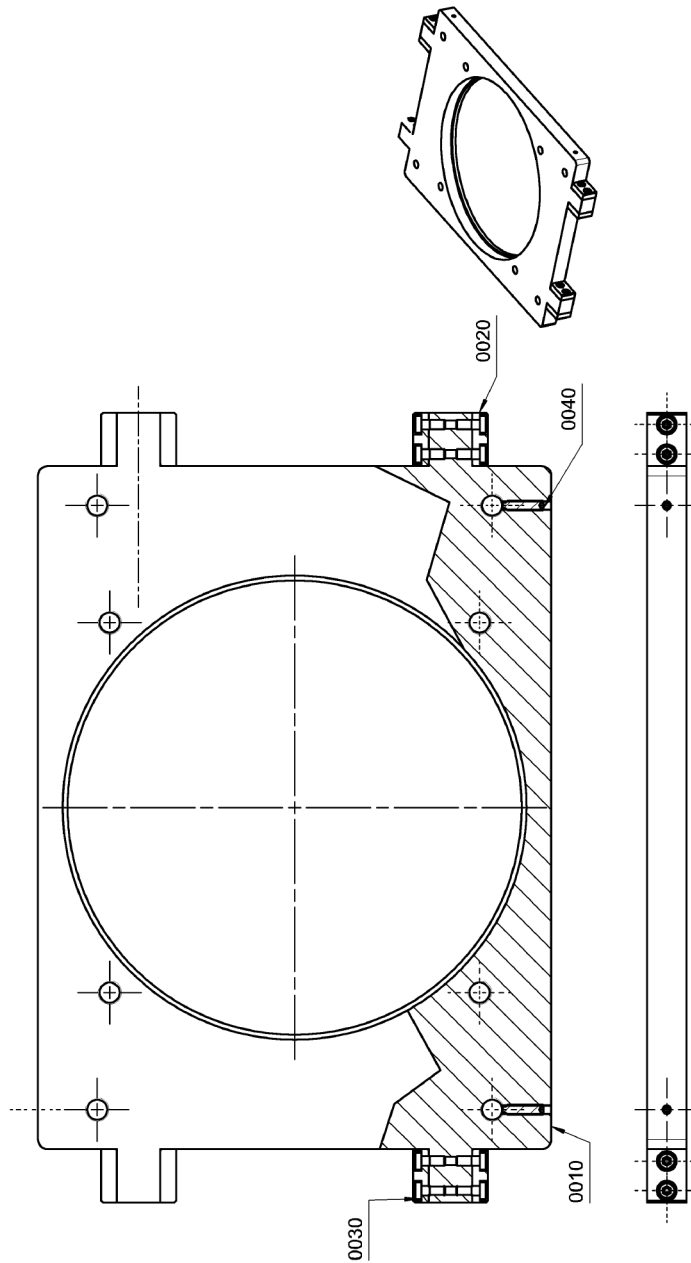
Pos.	Part no.	Designation	Qty.	UQ	A	Page
0010	7151905	torque drive	1	PCE	E	
0020	7257918	Motor plate, complete	1	PCE	E	66
0030	2143740	CAP SCREW DIN6912-M12X45-A2-70	4	PCE	N	
0040	7152266	Flange on motor side	1	PCE	E	
0050	7156216	Sealing plug with M16x1.5 Misumi Item no.: fsps16 2 03	1	PCE	E	
0060	7298816	Hexagon socket head cap screw ISO4762-M4x25-A4-70	1	PCE	N	
0070	7149444	Elastomer spring D=25x12,5	4	PCE	N	
0080	7152268	HSH cap screw ISO 4762 M12x70	4	PCE	N	
0090	7152269	Misumi collar screw msb16-45-F18 with M12	4	PCE	N	
0100	7257916	Motor mount	2	PCE	E	
0110	7302381	Angle plug connection G 1/4 Inch-12mm	2	PCE	E	



### 1.12.1.2.1

#### 7257918 Motor plate, complete

Pos.	Part no.	Designation	Qty.	UQ	A	Page
0010	7257915	Motor mounting plate	1	PCE	E	
0020	7257917	Bronze attachment	8	PCE	E	
0030	2143694	cylinder head screw DIN6912-M5x12-A2-70	16	PCE	N	
0040	7302730	Thrust Screw with brass pad	4	PCE	N	



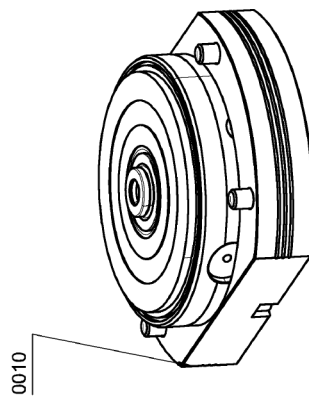
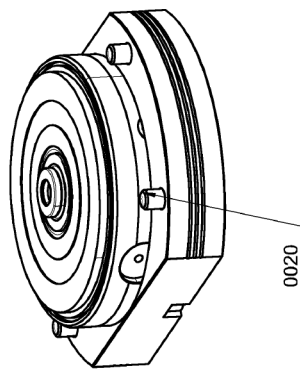
---

## 1.13

### 7269502 fixing dosing, clamping system

Pos.	Part no.	Designation	Qty.	UQ	A	Page
0010	7152032	Zero point clamping system	2	PCE	E	
0020	2143495	Hexagon socket head cap screw ISO4762-M10x30-A2-70	8	PCE	N	

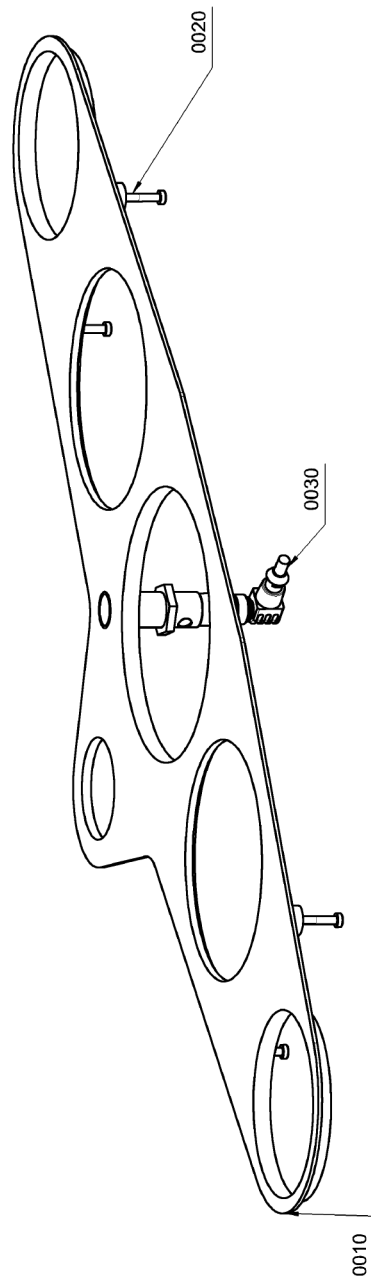




## 1.14

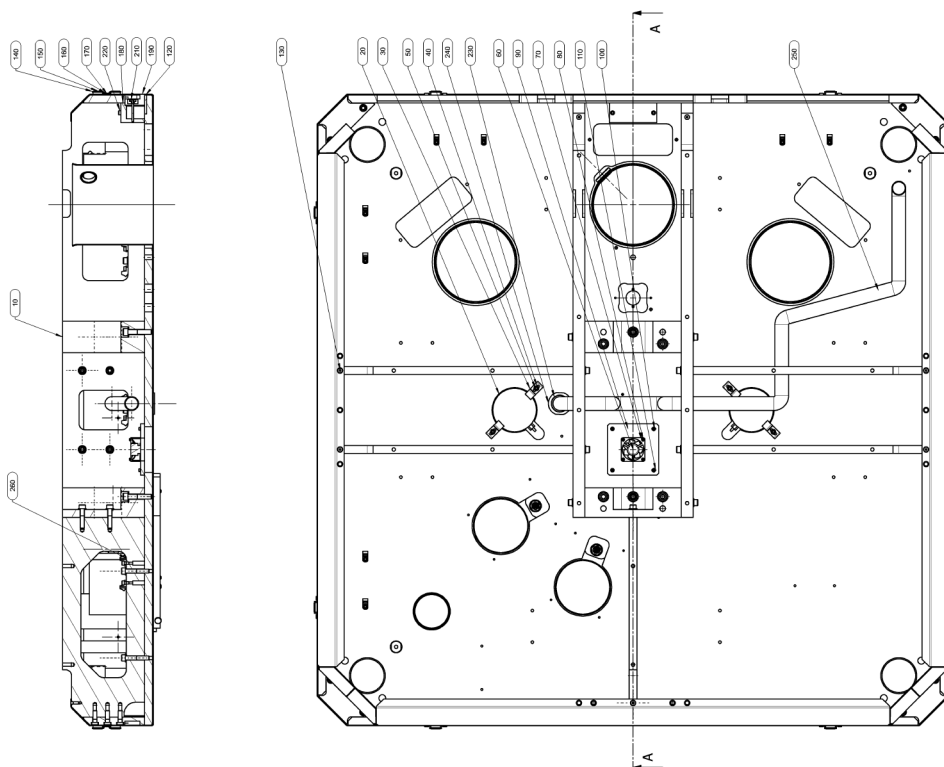
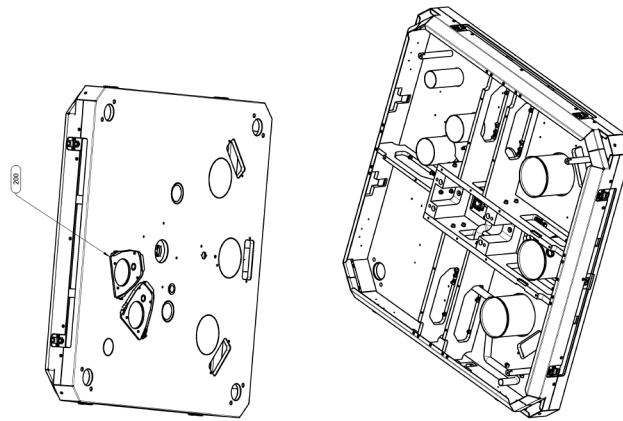
### 7269438 Option RFID Compacting station FEC20

Pos.	Part no.	Designation	Qty.	UQ	A	Page
0010	7152041	Cover	1	PCE	E	
0020	2143690	cylinder head screw DIN6912-M4x25-A2-70	4	PCE	N	
0030	7170372	RFID-Reader with RS485	1	PCE	E	



## 1.15 7279134 head piece universal FEC20

Pos.	Part no.	Designation	Qty.	UQ	A	Page
0010	7279103	head piece with metal paneling FEC20	1	PCE	E	74
0020	7162748	LED Machine light 24VDC 3m Cable IP67	2	PCE	E	
0030	7182798	Z angle holder	4	PCE	E	
0040	2143365	washer ISO7089-6-A2	20	PCE	N	
0050	2143477	Hexagon socket head cap screw ISO4762-M6x20-A2-70	4	PCE	N	
0060	7151618	Axial fan	1	PCE	E	
0070	2143362	washer ISO7089-3-A2	4	PCE	N	
0080	2143455	Hexagon socket head cap screw ISO4762-M3x35-A2-70	4	PCE	N	
0090	7183179	Fan mounting plate	1	PCE	E	
0100	2143461	Hexagon socket head cap screw ISO4762-M4x20-A2-70	4	PCE	N	
0110	2143363	washer ISO7089-4-A2	4	PCE	N	
0120	7155665	Head piece steel insert	1	PCE	E	
0130	7092573	Hexagon socket countersunk head screw ISO10642-M6x20-A2	31	PCE	E	
0140	7183041	Panel fixing retaining plate	8	PCE	E	
0150	7080488	Coupling	16	PCE	E	
0160	2143475	Hexagon socket head cap screw ISO4762-M6x12-A2-70	44	PCE	N	
0170	7279065	Cover plate head piece FEC20	4	PCE	E	
0180	7183166	Removal beam cover housing	1	PCE	E	
0190	7183136	Outer cross piece cover	1	PCE	E	
0200	7235989	Filling cone mounting, complete	2	PCE	E	78
0210	7253005	Knurled screw M4x45 VA	1	PCE	E	
0220	7041632	Hexagon socket head cap screw ISO4762-M6x70-A2-70	2	PCE	N	
0230	7279347	Receptive sleeve extraction pipe	1	PCE	E	
0240	7279375	Screw nut extraction pipe	1	PCE	E	
0250	7190053	Extraction hose D32	2	MTR	E	
0260	9107683	Cable support	28	PCE	-	



### 1.15.1

#### 7279103 head piece with metal paneling FEC20

Pos.	Part no.	Designation	Qty.	UQ	A	Page
0010	7279070	Head piece structural elements FEC20	1	PCE	E	76
0020	7279095	Metal paneling head piece welding piece complete	1	PCE	-	
0030	2143777	COUNTERSUNK SCREW DIN7991-M6X12-A2-70	4	PCE	N	
0040	3756005	cast plastic V608D	9	KGM	-	
0050	3701035	HÄRTER F.GUSSKUNSTS.V608D	1	KGM	-	

---

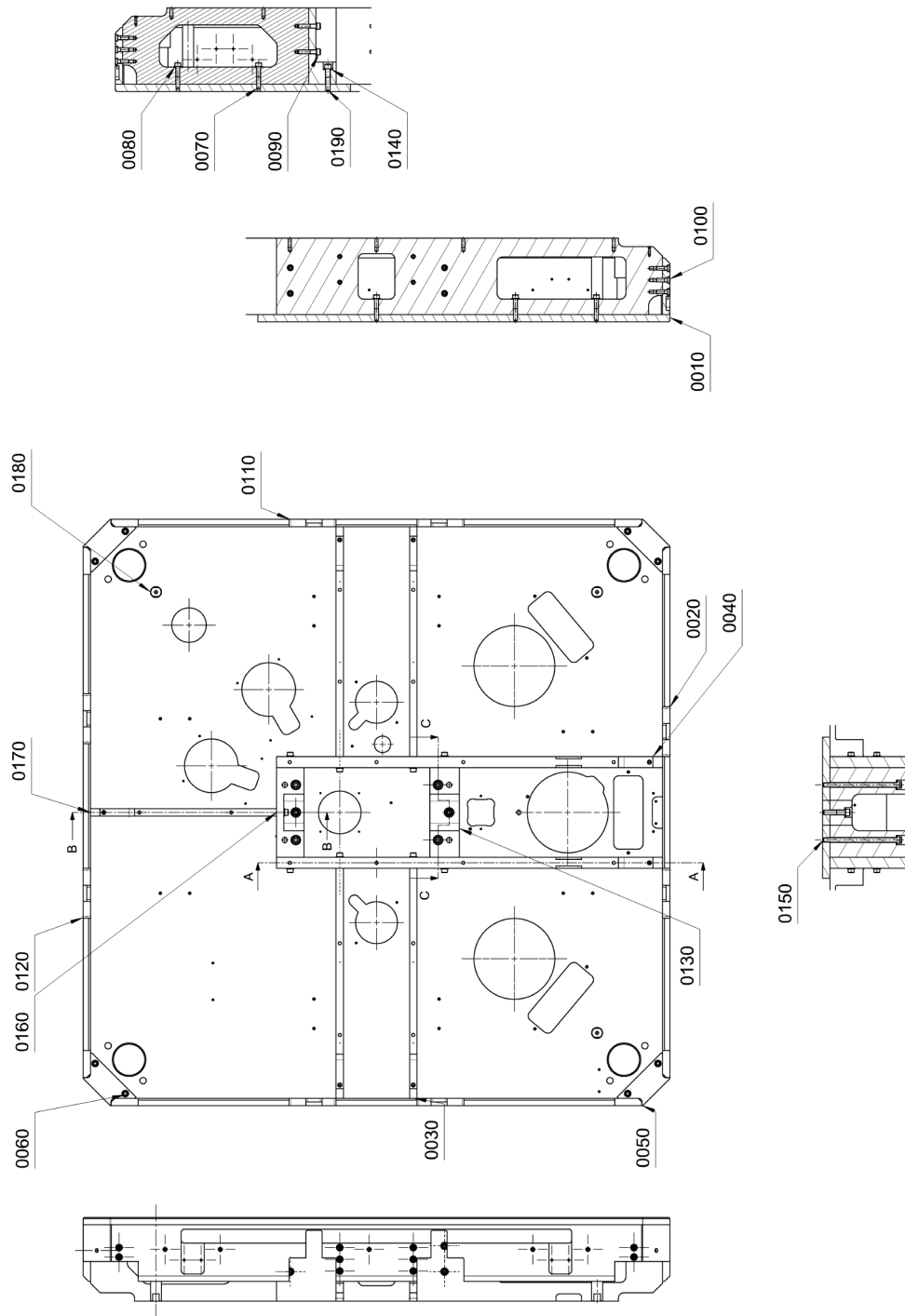
without figure

### 1.15.1.1

#### 7279070 Head piece structural elements FEC20

Pos.	Part no.	Designation	Qty.	UQ	A	Page
0010	7278727	Cover plate below headpiece FEC20	1	PCE	-	
0020	7278495	Transverse ouside side 2 FEC20	1	PCE	E	
0030	7278402	Transverse from the side FEC20	4	PCE	E	
0040	7278449	Along strut long FEC20	2	PCE	E	
0050	7155659	Corner strut head piece	4	PCE	-	
0060	3734106	Hexagon socket head cap screw ISO4762-M10x100-A2-70	8	PCE	N	
0070	3796105	Hexagon socket head cap screw ISO4762-M10x60-A2-70	16	PCE	N	
0080	2143367	washer ISO7089-10-A2	34	PCE	N	
0090	2143499	Hexagon socket head cap screw ISO4762-M10x50-A2-70	18	PCE	N	
0100	2143727	cylinder head screw DIN6912-M10x30-A2-70	37	PCE	N	
0110	7278588	Transverse strut ouside side 1_3 FEC20	2	PCE	E	
0120	7278610	Transverse strut ouside side 4 FEC20	1	PCE	E	
0130	7278667	Tranverse strut GOT FEC20	1	PCE	E	
0140	2143368	washer ISO7089-12-A2	6	PCE	N	
0150	7279071	Cylinder head screw ISO 4762 M12x200-A2-70	4	PCE	N	
0160	7278642	Traverse strut middle FEC20	1	PCE	E	
0170	7278410	Transverse strut from the side FEC20	1	PCE	E	
0180	7278693	Stiffening axis GOT FEC20	3	PCE	E	
0190	2143504	Hexagon socket head cap screw ISO4762-M12x60-A2-70	2	PCE	N	





## 1.15.2

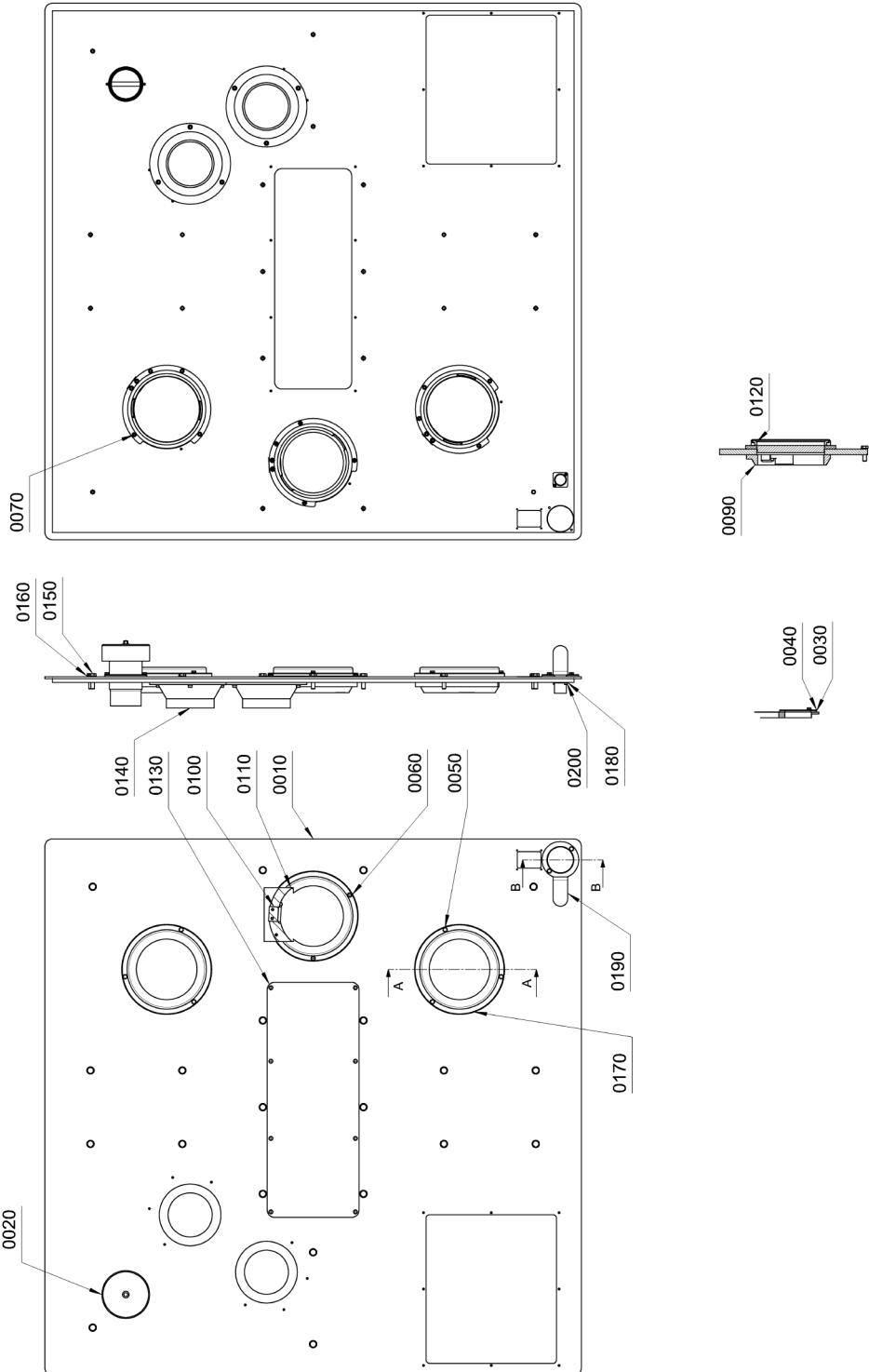
### 7235989 Filling cone mounting, complete

Pos.	Part no.	Designation	Qty.	UQ	A	Page
0010	7235915	Filling cone fixing	2	PCE	E	
0020	2143562	Hexagon head bolt ISO4017-M5x16-A2-70	8	PCE	N	
0030	2143364	washer ISO7089-5-A2	8	PCE	N	
0040	2143397	Knurled thumb screw DIN464-M4x6-A2	4	PCE	N	
0050	7206660	Ultrasonic sensor	2	PCE	E	
0060	7235919	Spacer tube sensor	2	PCE	E	



## 1.16 7279382 machine cover plate FEC20

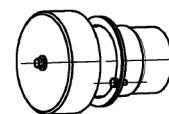
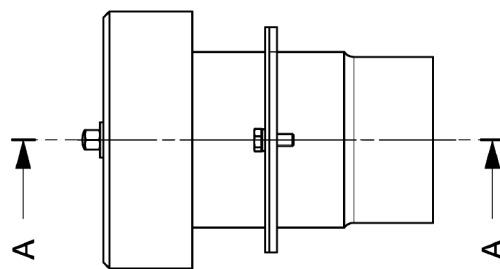
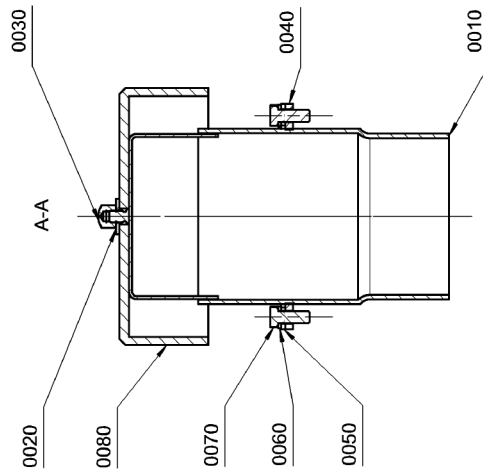
Pos.	Part no.	Designation	Qty.	UQ	A	Page
0010	7279381	cover plate up FEC20	1	PCE	E	
0020	7184840	Incoming air cover, complete	1	PCE	-	82
0030	7045150	Collar AD100, ID70,5,	1	PCE	E	
0040	7045285	Cover collar AD100, ID73	1	PCE	E	
0050	2143567	Hexagon head bolt ISO4017-M6x16-A2-70	19	PCE	N	
0060	2143365	washer ISO7089-6-A2	17	PCE	N	
0070	2143476	Hexagon socket head cap screw ISO4762-M6x16-A2-70	24	PCE	N	
0090	7214341	Bayonet feeding hopper holder FE55-ConL and FE75-ConL	3	PCE	E	
0100	7214891	earthing block	3	PCE	E	
0110	7192313	cover feeding hopper thin model	3	PCE	E	
0120	7221575	FEC mounting ring	3	PCE	E	
0130	7279260	cover maintenance aperture	1	PCE	E	
0140	7279273	feeding adapter head piece FEC20	2	PCE	E	
0150	2143580	ALLEN SCREW M10X35 S.S.	21	PCE	N	
0160	2143367	washer ISO7089-10-A2	21	PCE	N	
0170	7221589	Product feeder blanking cover	2	PCE	E	
0180	7280590	pipe connection extraction GOT Da32 welding part	1	PCE	E	
0190	7265942	Spiral coiled hose ø32mm (1,25") antistatic	0.200	MTR	E	
0200	2143458	Hexagon socket head cap screw ISO4762-M4x10-A2-70	2	PCE	N	



## 1.16.1

### 7184840 Incoming air cover, complete

Pos.	Part no.	Designation	Qty.	UQ	A	Page
0010	7064640	Cover supply air	1	PCE	E	
0020	2149992	washer ISO7093-6-A2	1	PCE	N	
0030	2143536	cap nut DIN917-M6-A2-70	1	PCE	N	
0040	7064668	Collar supply air	1	PCE	E	
0050	7064674	Cover collar delivery air	1	PCE	E	
0060	7083132	Washer ISO7092-6-A2	2	PCE	N	
0070	2143567	Hexagon head bolt ISO4017-M6x16-A2-70	2	PCE	N	
0080	7184787	Incoming air cover	1	PCE	E	



## 1.17

### 7294124 E-parts upper part +HUP=MA FEC20

Pos.	Part no.	Designation	Qty.	UQ	A	Page
0010	2135253	M12x1 connector plug 5 pins straight screw-connection Cable screwing for cables 4-6mm	3	PCE	E	
0020	2132777	Wire end ferrule 0,25mm <sup>2</sup> lightblue	4	PCE	-	
0030	3706507	PU-Hose blue, d=6mm/4mm, 8bar 20GrC	1.500	MTR	N	
0040	2134485	Wire end ferrule 0,5mm <sup>2</sup> white	4	PCE	-	
0050	3706507	PU-Hose blue, d=6mm/4mm, 8bar 20GrC	1.500	MTR	N	
0060	3706507	PU-Hose blue, d=6mm/4mm, 8bar 20GrC	1.500	MTR	N	
0070	3706507	PU-Hose blue, d=6mm/4mm, 8bar 20GrC	1.500	MTR	N	
0080	3706507	PU-Hose blue, d=6mm/4mm, 8bar 20GrC	1.500	MTR	N	
0090	3706507	PU-Hose blue, d=6mm/4mm, 8bar 20GrC	1.500	MTR	N	
0100	3706507	PU-Hose blue, d=6mm/4mm, 8bar 20GrC	1.500	MTR	N	
0170	3706507	PU-Hose blue, d=6mm/4mm, 8bar 20GrC	1.500	MTR	N	
0250	3743109	Multiple distributor 1x8 4x6, QSQ-8-6	2	PCE	E	



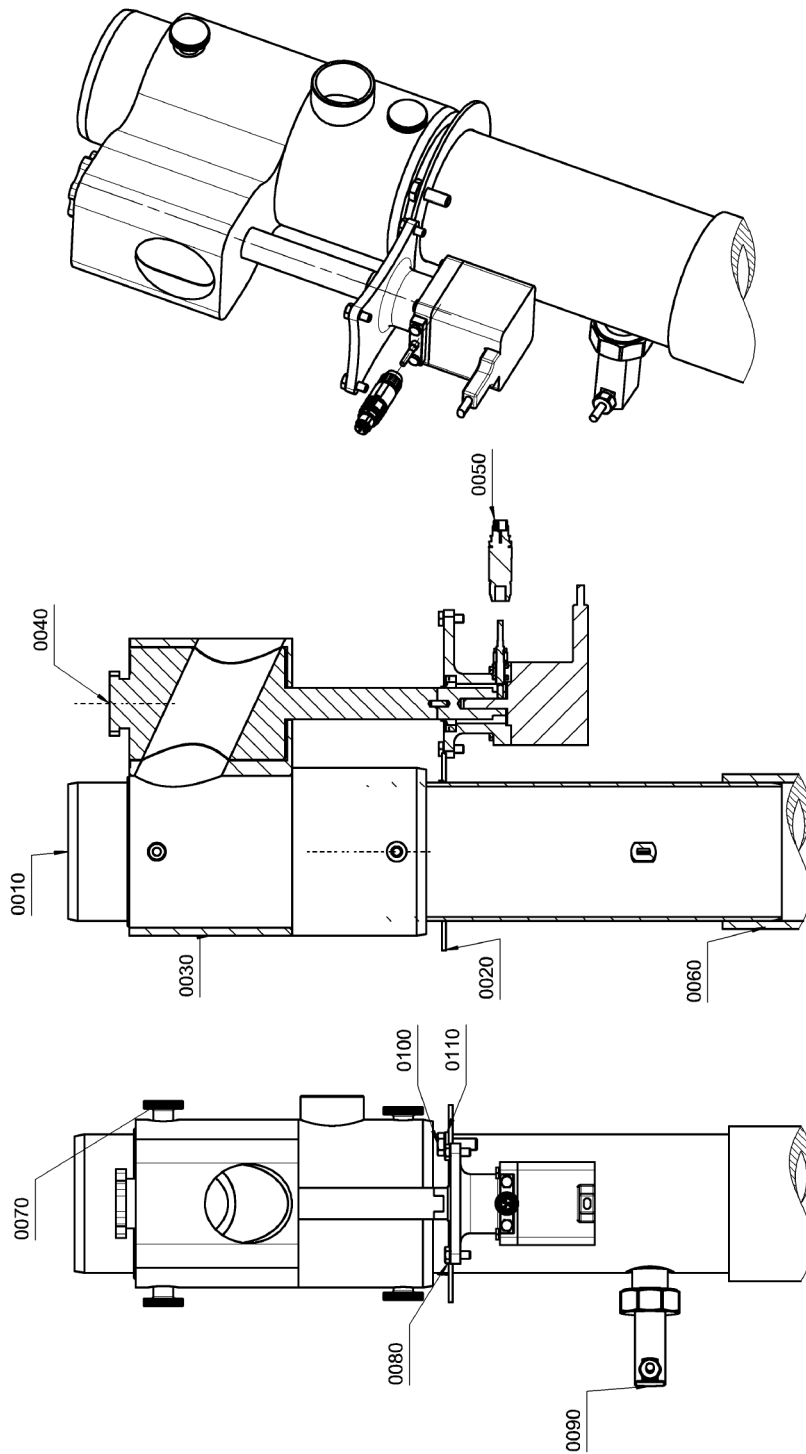
---

without figure

## 1.18

### 7281300 extraction FEC20 complete

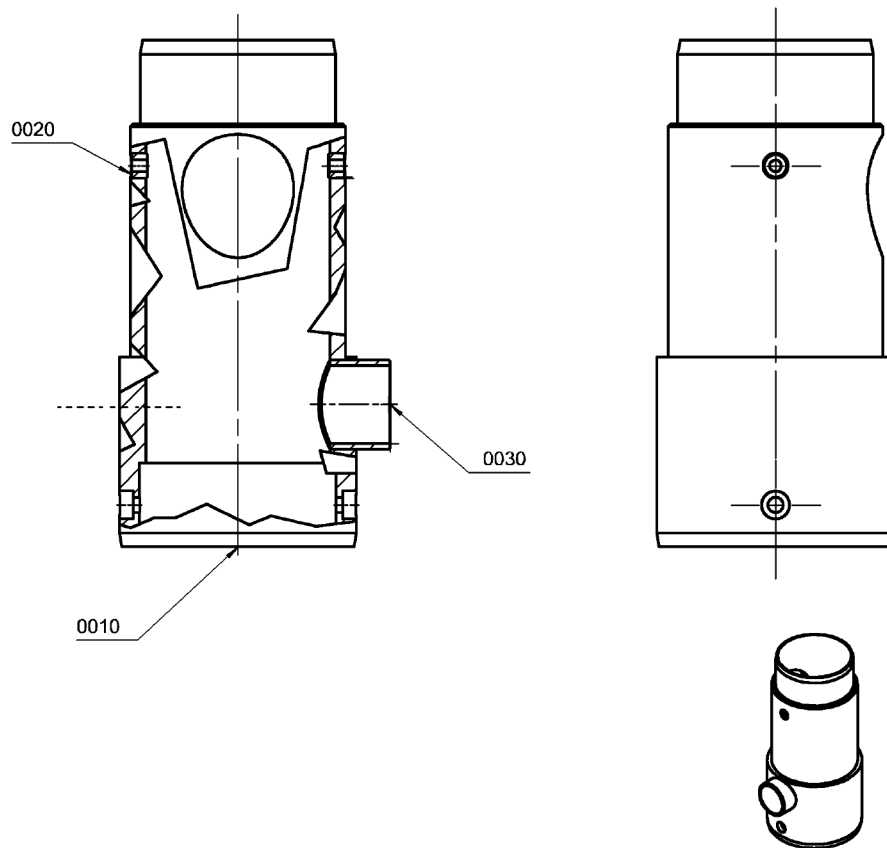
Pos.	Part no.	Designation	Qty.	UQ	A	Page
0010	7280901	welded assembly bypass pipe	1	PCE	E	88
0020	7280916	welded assembly intermediate pipe	1	PCE	E	90
0030	7280998	bypass element	1	PCE	E	
0040	7281034	rotary vane	1	PCE	E	
0050	7281301	drive extraction regulator complete	1	PCE	E	92
0060	7190052	Extraction hose D70	1	MTR	E	
0070	2143403	Knurled thumb screw DIN464-M5x8-A2	4	PCE	N	
0080	2143557	Hexagon head bolt ISO4017-M4x10-A2-70	4	PCE	N	
0090	7281308	air flow sensor	1	PCE	N	
0100	2143567	Hexagon head bolt ISO4017-M6x16-A2-70	2	PCE	N	
0110	2143365	washer ISO7089-6-A2	2	PCE	N	



---

**1.18.1**  
**7280901 welded assembly bypass pipe**

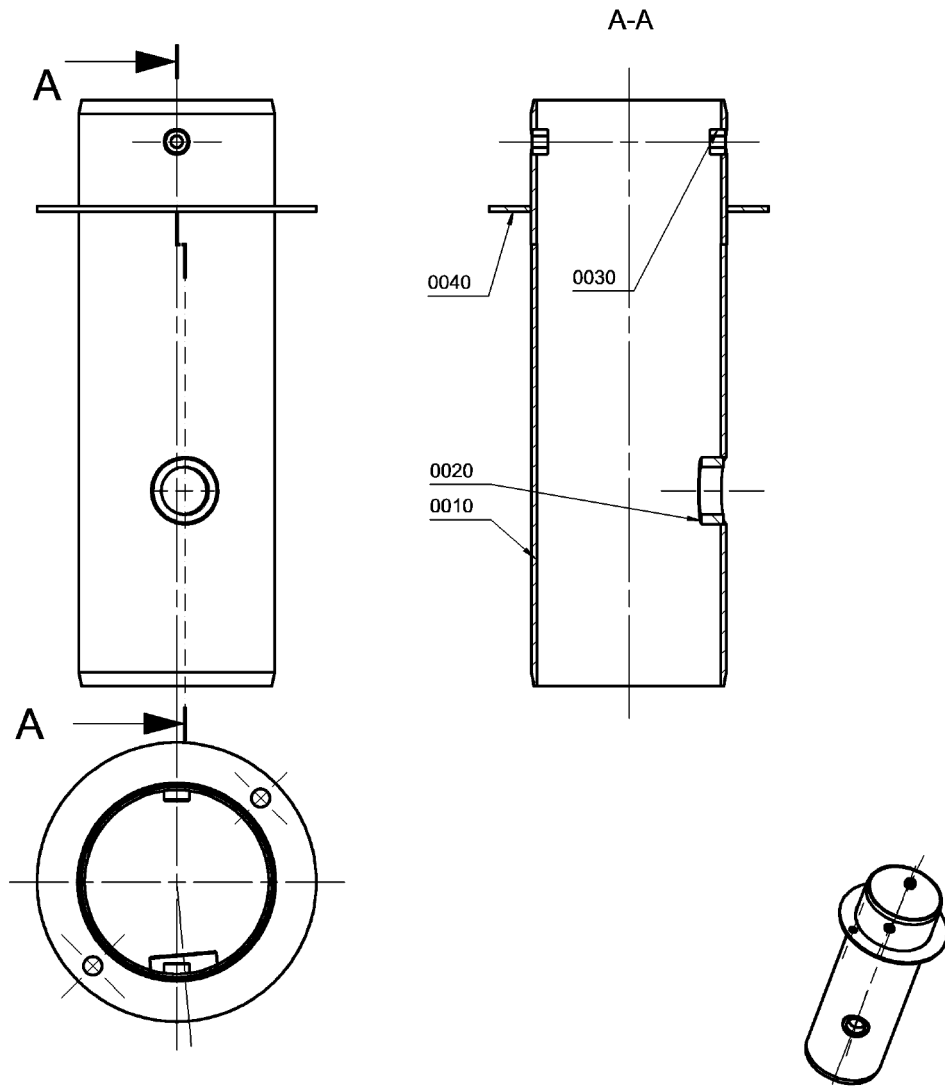
<b>Pos.</b>	<b>Part no.</b>	<b>Designation</b>	<b>Qty.</b>	<b>UQ</b>	<b>A</b>	<b>Page</b>
0010	7280838	connecting pipe	1	PCE	E	
0020	7280874	mounting nut M5	2	PCE	E	
0030	7280877	Pipe adapter NGK	1	PCE	E	



## 1.18.2

### 7280916 welded assembly intermediate pipe

Pos.	Part no.	Designation	Qty.	UQ	A	Page
0010	7280918	Pipe spacer	1	PCE	E	
0020	7280906	sensor mounting	1	PCE	E	
0030	7280874	mounting nut M5	2	PCE	E	
0040	7280911	cover collar DI-70	1	PCE	E	

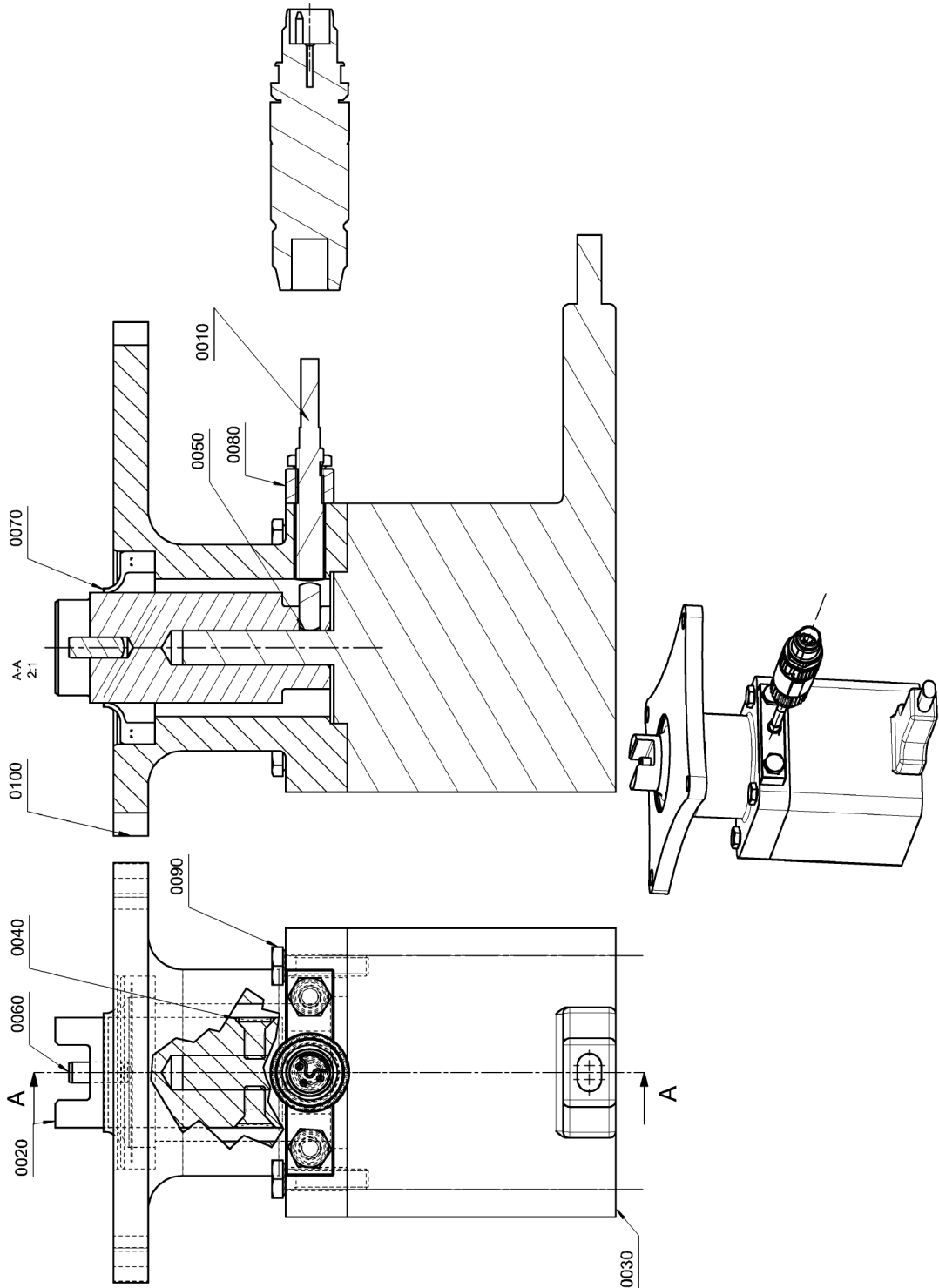


### 1.18.3

#### 7281301 drive extraction regulator complete

Pos.	Part no.	Designation	Qty.	UQ	A	Page
0010	7222288	Sensor, inductive M4x0.5 1400 mm inclusive plug	1	PCE	E	94
0020	7281084	coupling stepping motor	1	PCE	E	
0030	7034901	Step motor AS1010-0000	1	PCE	E	
0040	2143629	COUNTERSUNK SCREW Stainless steel 3X 2 6-DIN963-A2-70		PCE	N	
0050	9119928	Parallel pin DIN7 - A1 - 3m6x6	1	PCE	N	
0060	2143280	PARALLEL PIN DIN7-3 M6X8	1	PCE	N	
0070	7207580	Shaft seal 16x28x5	1	PCE	E	
0080	7281298	proximity initiator Mounting plate	1	PCE	E	
0090	3716607	Hexagon head bolt ISO4017-M3x12-A2-70	6	PCE	N	
0100	7281100	motor mounting plate	1	PCE	E	





### 1.18.3.1

#### 722288 Sensor, inductive M4x0.5 1400 mm inclusive plug

Pos.	Part no.	Designation	Qty.	UQ	A	Page
0010	7172732	Proximity switch inductiv	24	PCE	E	
0030	7201078	Connector, male, straight, 3-pos, M8 x1, cable 2.5 - 5.1mm Cross-sectional area 0.14 - 0.34 mm <sup>2</sup>	24	PCE	E	

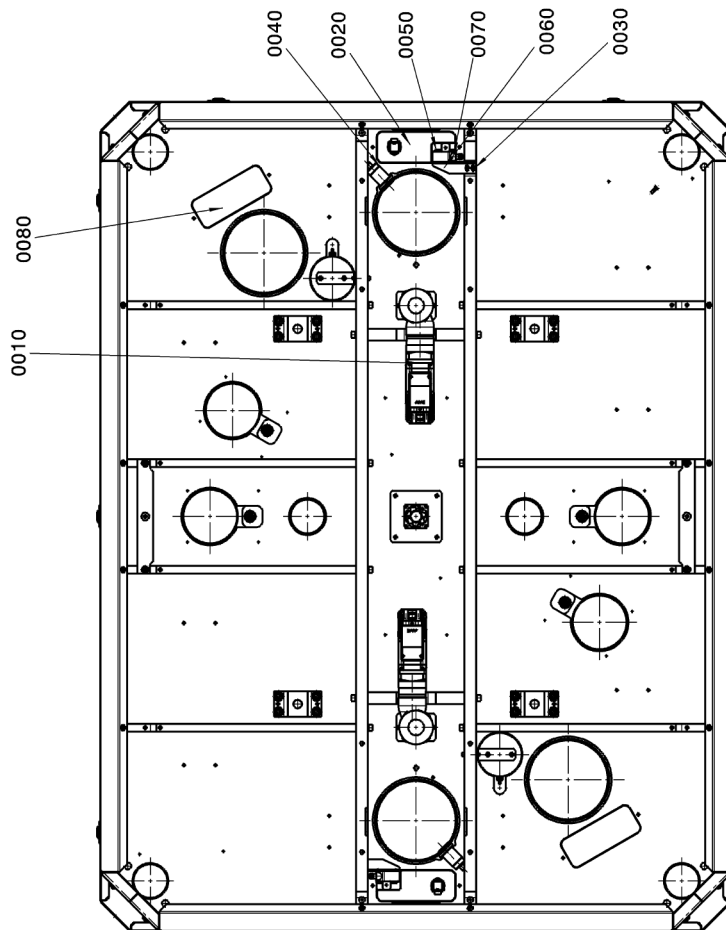
---

without figure

## 1.19

### 7222036 Tamping station head piece, option

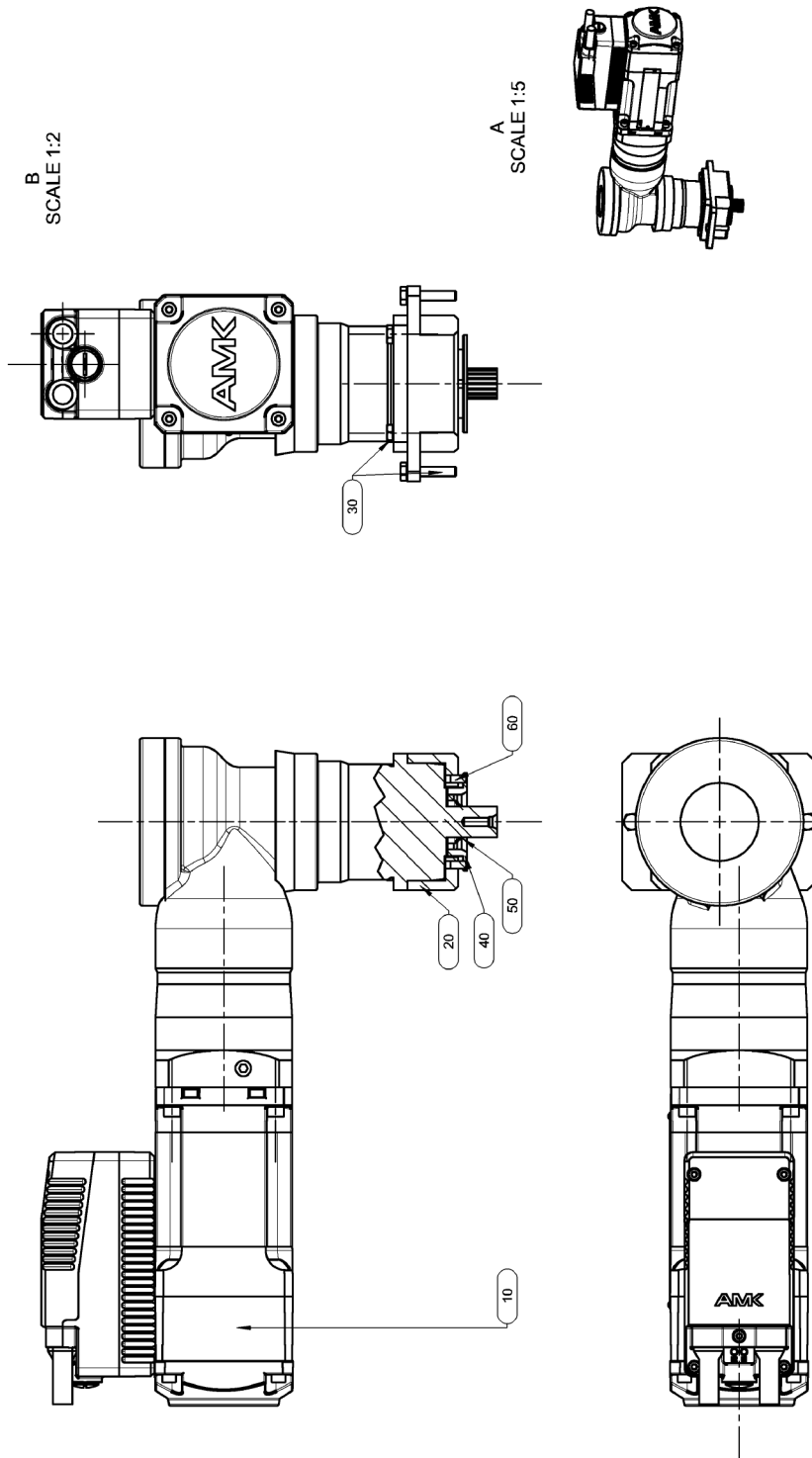
Pos.	Part no.	Designation	Qty.	UQ	A	Page
0010	7184959	Metering drum drive, complete	1	PCE	-	98
0020	7208064	Combination cover, head piece, complete	1	PCE	E	100
0030	2143475	Hexagon socket head cap screw ISO4762-M6x12-A2-70	2	PCE	N	
0040	7174888	Proximity switch capacitive	1	PCE	E	
0050	2145810	Hexagon socket head cap screw ISO4762-M4x30-A2-70	2	PCE	N	
0060	7208096	Powder bed sensor angle plate	1	PCE	E	
0070	7213425	Laser Light measuring system	1	PCE	E	
0080	7197426	Cover, pellet plug-in connector, complete	1	PCE	E	102



## 1.19.1

### 7184959 Metering drum drive, complete

Pos.	Part no.	Designation	Qty.	UQ	A	Page
0010	7204676	Geardrive	1	PCE	E	
0020	7184923	Drive adapter plate	1	PCE	E	
0030	2238035	Hexagon head bolt ISO4017-M5x25-A2-70	6	PCE	N	
0040	7207568	Seal mount	1	PCE	E	
0050	7207580	Shaft seal 16x28x5	1	PCE	E	
0060	7027165	Straight pin ISO 22338	2	PCE	N	

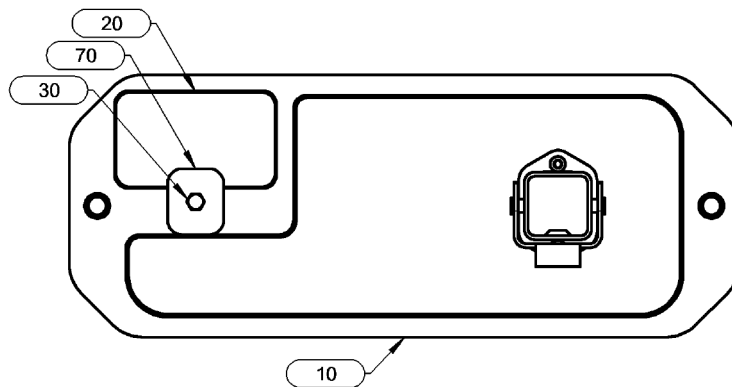
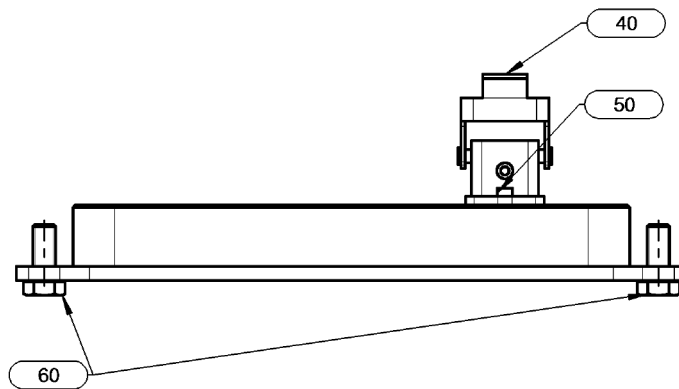


## 1.19.2

### 7208064 Combination cover, head piece, complete

Pos.	Part no.	Designation	Qty.	UQ	A	Page
0010	7253409	Combination cover, head part sensor	1	PCE	E	
0020	7253402	Inspection window sensor, powder bed	1	PCE	E	
0030	7198237	Hexagon head bolt ISO4017-M3x6-A4-70	1	PCE	N	
0040	2133524	EXTENTION HOUSING HAN 3A EMV STRAIGHT	1	PCE	E	
0050	2143451	Hexagon socket head cap screw ISO4762-M3x12-A2-70	2	PCE	N	
0060	2143570	Hexagon head bolt ISO4017-M8x20-A2-70	2	PCE	N	
0070	7253927	Inspection window sensor clamping plate	1	PCE	E	

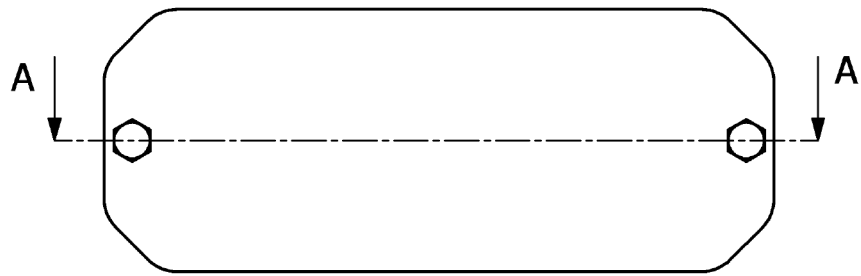




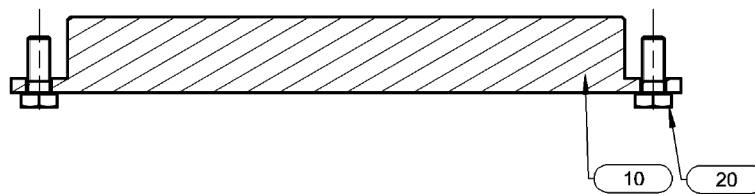
### 1.19.3

#### 7197426 Cover, pellet plug-in connector, complete

Pos.	Part no.	Designation	Qty.	UQ	A	Page
0010	7197397	Cover, pellet head piece	1	PCE	E	
0020	2143570	Hexagon head bolt ISO4017-M8x20-A2-70	2	PCE	N	



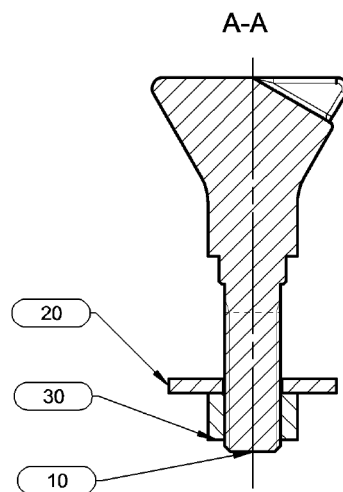
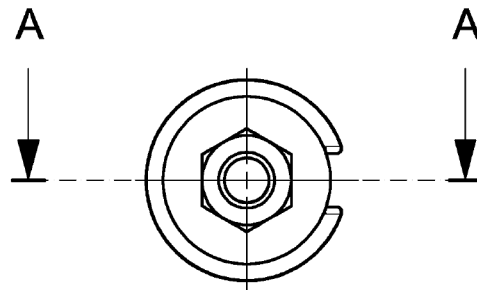
A-A  
1:2



## 1.20

### 7195050 Removal beam supporting pin, complete

Pos.	Part no.	Designation	Qty.	UQ	A	Page
0010	7195046	Removal beam supporting pin	1	PCE	E	
0020	2288773	washer ISO7093-10-A2	1	PCE	N	
0030	2143605	NUT DIN934-M10-A2-70	1	PCE	N	



## 1.21

### 7299943 E-parts Option NMC HUP FEC20

Pos.	Part no.	Designation	Qty.	UQ	A	Page
0020	7299934	M12x1 cable EtherCAT gst-gbu 2m	1	PCE	E	
0050	7296307	M12x1 cable 8p gst-gbu 2m UL	1	PCE	E	
0080	7299841	NMC-Box FEC20	1	PCE	-	108
0090	7310032	M12x1 Kabel EtherCAT gst-gbu 1.5m	1	PCE	E	
0100	9180502	M12x1 Dust Cover for socket with cord	6	PCE	E	
0120	7310029	M12x1 Kabel EtherCAT gst-gbu 2.5m	1	PCE	E	
0140	7310092	M12x1 Kabel 8p gst-gbu 1.5m UL	1	PCE	E	
0170	7310094	M12x1 Kabel 8p gst-gbu 2.5m UL	1	PCE	E	

---

without figure

## 1.21.1 7299841 NMC-Box FEC20

Pos.	Part no.	Designation	Qty.	UQ	A	Page
0010	7022781	WIRING DUCT SLOTTED, GREY H40xB40mm	0.140	MTR	E	
0020	2133804	Single core green/yellow 1,5mm <sup>2</sup> /AWG16 UL(MTW)-CSA-HAR	0.001	MTR	E	
0030	2133872	Single core blue 0,5mm <sup>2</sup> /AWG20 UL(MTW)-CSA-HAR	0.001	MTR	E	
0040	2133872	Single core blue 0,5mm <sup>2</sup> /AWG20 UL(MTW)-CSA-HAR	0.001	MTR	E	
0050	2133872	Single core blue 0,5mm <sup>2</sup> /AWG20 UL(MTW)-CSA-HAR	0.001	MTR	E	
0060	2133872	Single core blue 0,5mm <sup>2</sup> /AWG20 UL(MTW)-CSA-HAR	0.001	MTR	E	
0070	7299836	M12x1 flanged bush 8p 0,5m	4	PCE	E	
0080	2133872	Single core blue 0,5mm <sup>2</sup> /AWG20 UL(MTW)-CSA-HAR	0.001	MTR	E	
0090	2133872	Single core blue 0,5mm <sup>2</sup> /AWG20 UL(MTW)-CSA-HAR	0.001	MTR	E	
0110	7048762	Terminal grey 3x 0.25..2,5mm <sup>2</sup>	5	PCE	E	
0130	2132777	Wire end ferrule 0,25mm <sup>2</sup> lightblue	9	PCE	-	
0140	2134485	Wire end ferrule 0,5mm <sup>2</sup> white	9	PCE	-	
0210	7048763	Terminal blue 3x 0,25..2,5mm <sup>2</sup>	2	PCE	E	
0310	7048692	Terminal green/yellow 3x 0.25..2,5mm <sup>2</sup>	1	PCE	E	
0330	2134482	Wire end ferrule 1,5mm <sup>2</sup> black	3	PCE	-	
0340	7114950	DIN rail mountable Ethernet switch with 5 RJ45 ports supports Ethernet with 10 mbps and 100 mbps V2	1	PCE	E	
0370	2133524	EXTENTION HOUSING HAN 3A EMV STRAIGHT	1	PCE	E	
0380	7187026	PIN INSERT Han Q 12/0+, Crimp, black	1	PCE	E	
0390	2143316	cylinder head scr.ISO1207-M3x8-A2-70	2	PCE	N	
0410	2133574	Crimp contact male silver 1,0mm <sup>2</sup> HAN A+D+K	7	PCE	E	
0420	2133576	Crimp contact male silver 0,5mm <sup>2</sup> HAN A+D+K	5	PCE	E	
0430	2133578	Crimp contact male silver 1,5mm <sup>2</sup> HAN A+D+K	1	PCE	E	
0490	7316580	M12x1 Flansch jst/RJ45anp EtherCAT 0,2m	4	PCE	N	
0530	2143476	Hexagon socket head cap screw ISO4762-M6x16-A2-70	2	PCE	N	
0550	7326259	Terminal box NMC FEC20	1	PCE	E	
0560	2143458	Hexagon socket head cap screw ISO4762-M4x10-A2-70	2	PCE	N	
0580	2143601	Hexagon nut ISO4032-M4-A2-70	2	PCE	N	
0600	7332527	Label Set NMC-Box FEC20	1	PCE	-	
0610	2132069	Cable gland locknut M16x1,5 Brass	4	PCE	N	
0680	7049992	PUSH-IN TYPE JUMPER BARS	2	PCE	E	
0690	2133528	Dust Cover thermoplastic for HAN 3A socket	1	PCE	E	
0700	9180502	M12x1 Dust Cover for socket with cord	8	PCE	E	



---

without figure

---

**1.21.1**  
**7299841 NMC-Box FEC20**

<b>Pos.</b>	<b>Part no.</b>	<b>Designation</b>	<b>Qty.</b>	<b>UQ</b>	<b>A</b>	<b>Page</b>
0710	2133804	Single core green/yellow 1,5mm <sup>2</sup> /AWG16 UL(MTW)-CSA-HAR	0.001	MTR	E	
0720	2133872	Single core blue 0,5mm <sup>2</sup> /AWG20 UL(MTW)-CSA-HAR	0.001	MTR	E	

---

without figure

## 1.22

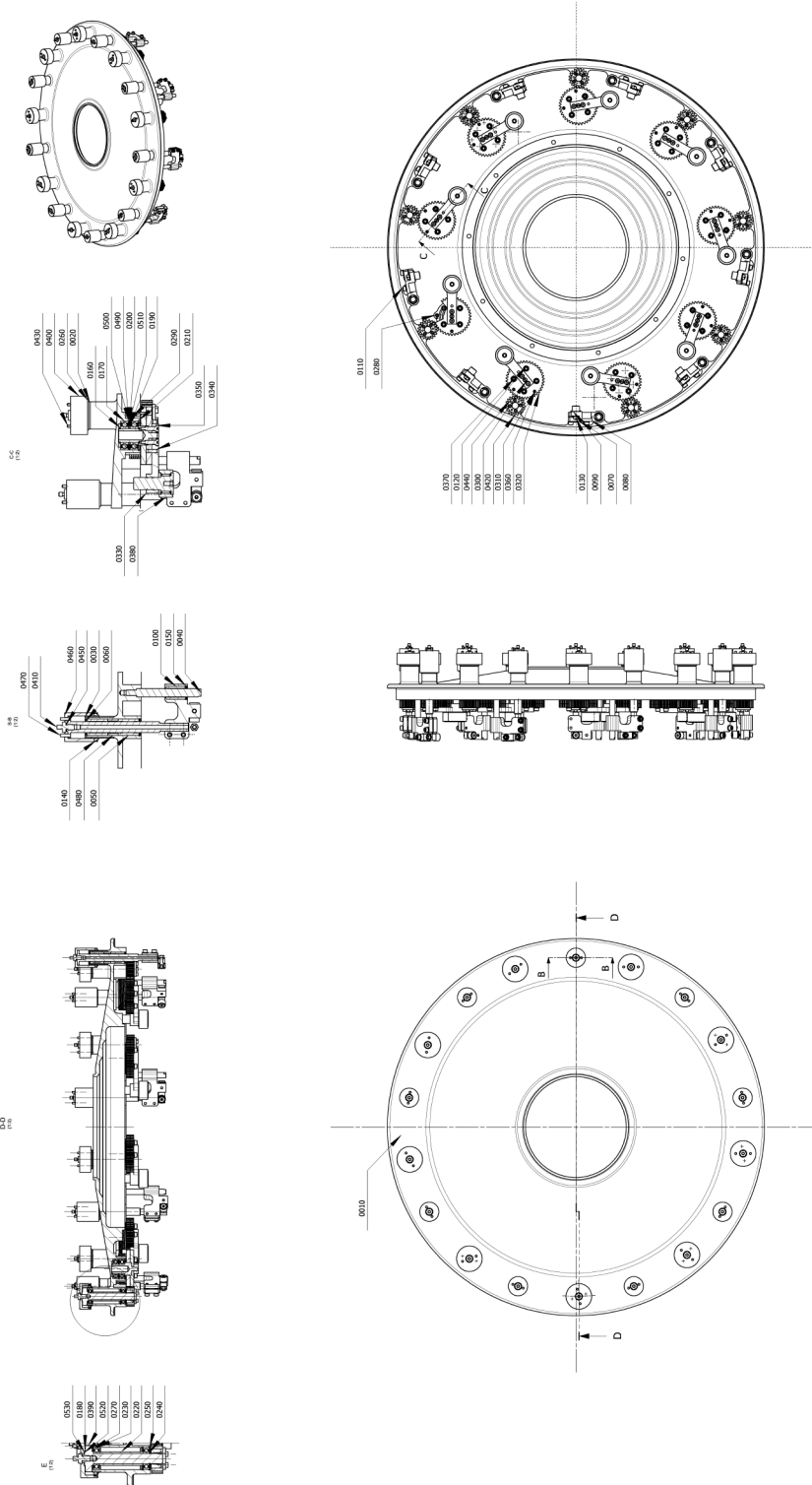
### 7179337 Corner column, complete

Pos.	Part no.	Designation	Qty.	UQ	A	Page
0010	7179333	Corner column, complete	4	PCE	E	
0020	7183089	Clip fixing retaining plate	8	PCE	E	
0030	2143475	Hexagon socket head cap screw ISO4762-M6x12-A2-70	16	PCE	N	
0040	2143365	washer ISO7089-6-A2	16	PCE	N	
0050	7080488	Coupling	16	PCE	E	
0060	2143506	Hexagon socket head cap screw ISO4762-M16x50-A2-70	8	PCE	N	
0070	2141469	washer ISO7090-16-St	8	PCE	N	



## 1.23 7267979 rotary disk FEC20 complete

Pos.	Part no.	Designation	Qty.	UQ	A	Page
0010	7267978	Rotary disk FEC20	1	PCE	E	
0020	7158157	buch shaft seal top holder	9	PCE	-	
0030	7158158	sleeve scraper lower part holder	9	PCE	-	
0040	7158160	guideline lower part holder	9	PCE	-	
0050	7158659	Linear Bushing KH16-PP	18	PCE	E	
0060	7186179	circlip Seeger JV24	18	PCE	N	
0080	7158249	roller holder lower part holder	9	PCE	-	
0090	7158687	cam follower	9	PCE	E	
0100	7152168	Ball bushing	9	PCE	N	
0110	2143477	Hexagon socket head cap screw ISO4762-M6x20-A2-70	27	PCE	N	
0120	2143365	washer ISO7089-6-A2	72	PCE	N	
0130	2143603	Hexagon nut ISO4032-M6-A2-70	9	PCE	N	
0140	7158739	Scraper lower capsule holder	9	PCE	V	
0150	7186180	Seeger circlip JV19	9	PCE	N	
0160	3777606	locking ring DIN 471-20x1,2-A2	9	PCE	N	
0170	7158666	deep groove ball bearing DIN 625 - 6004-2RSR	18	PCE	E	
0180	2142517	Shim ring DIN988-20x28x0,5-St	18	PCE	N	
0190	2142519	Shim ring DIN988-20x28x1,5-St	9	PCE	N	
0200	2142527	Shim ring DIN988-30x42x0,5-St	27	PCE	N	
0210	2141562	Locking ring DIN472-42x1,75-St	9	PCE	N	
0220	7158155	distance tube top holder	9	PCE	-	
0230	7158688	Rolling bearing DIN 625 - 6002 - 2RS	18	PCE	N	
0240	3777907	locking ring DIN 471-15x1-A2	9	PCE	N	
0250	3757007	Locking ring DIN472-32x1,2-A2	18	PCE	N	
0260	7158738	Scraper upper capsule holder	9	PCE	V	
0270	7175480	Fitting disc DIN 988 15x21x0,1 VA	9	PCE	N	
0280	7194466	centring bush JBA3-8 Misumi	9	PCE	E	
0290	7242996	protection cap swivel lever	9	PCE	E	
0300	7158140	axle swivel lever top holder	9	PCE	-	
0310	7158148	spur gear top	9	PCE	E	
0320	7158150	radial tooth wheel below	9	PCE	E	
0330	7242995	drag lever top part holder	9	PCE	E	
0340	7166102	HSH SCREW, TOL. SMALL M6 MATERIAL: RUST & ACID-RESISTANT STEEL DIM.: 5 M6X 12-DISO22338-NIRO	9	PCE	N	
0350	7207435	fitting screw SGMSB6-15	18	PCE	N	
0360	7194405	leg spring d2,8 Dm72,2 n4,5	9	PCE	E	
0370	2143476	Hexagon socket head cap screw ISO4762-M6x16-A2-70	36	PCE	N	
0380	7242997	cam follower	9	PCE	N	
0390	7158334	shaft top holder	9	PCE	-	
0400	7158333	cap top holder	9	PCE	-	
0410	7236615	threaded bolt capsule holder	18	PCE	E	

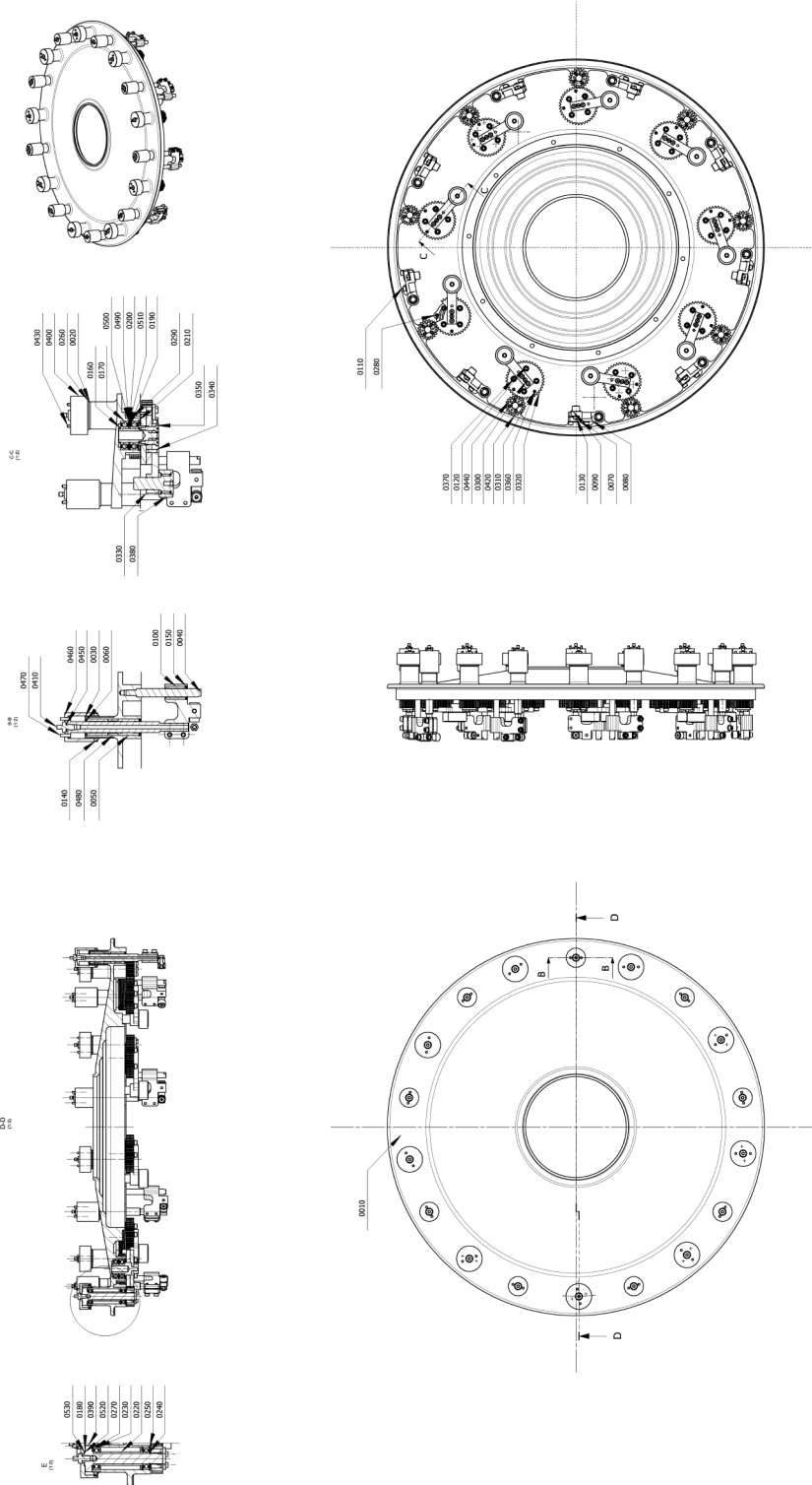


## 1.23

### 7267979 rotary disk FEC20 complete

Pos.	Part no.	Designation	Qty.	UQ	A	Page
0420	7158156	gear wheel m2 z20	9	PCE	E	
0430	7207443	Cylindrical pin MSVC4-20	18	PCE	N	
0440	7207433	clamping set BR136 d15xD28	9	PCE	N	
0450	7347591	Axis linear motion lower part	9	PCE	-	
0460	7158332	cap lower part holder	9	PCE	-	
0470	7207446	Cylindrical pin MSVC4-15	18	PCE	N	
0480	7158263	spacer ring ball bushing lower part holder	9	PCE	-	
0490	2142526	Shim ring DIN988-30x42x0,3-St	9	PCE	N	
0500	2142524	Shim ring DIN988-30x42x0,1-St	36	PCE	N	
0510	2142514	Shim ring DIN988-20x28x0,1-St	9	PCE	N	
0520	2236343	Shim ring DIN988-12x18x0,1-St	9	PCE	N	
0530	7318930	Shim ring 12x18x0,05	9	PCE	N	

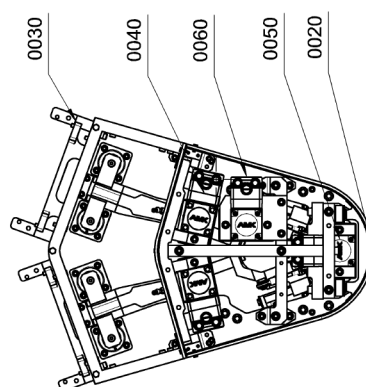
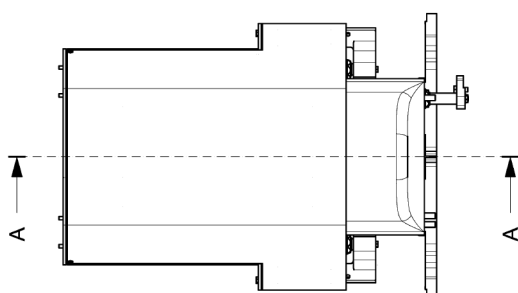
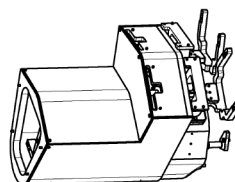
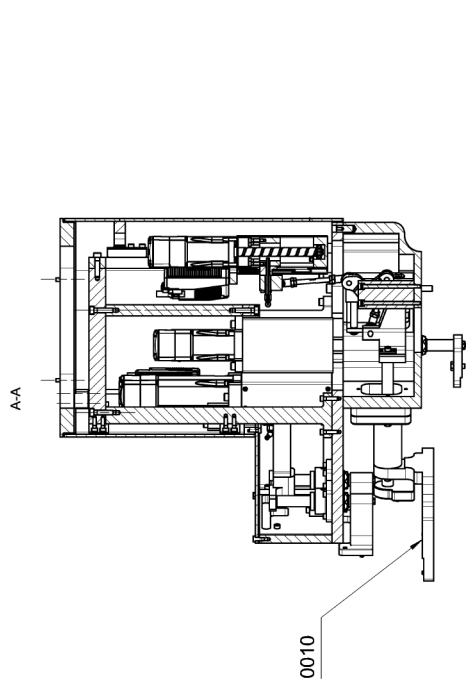




## 1.24

### 7271060 Base middle column FEC20

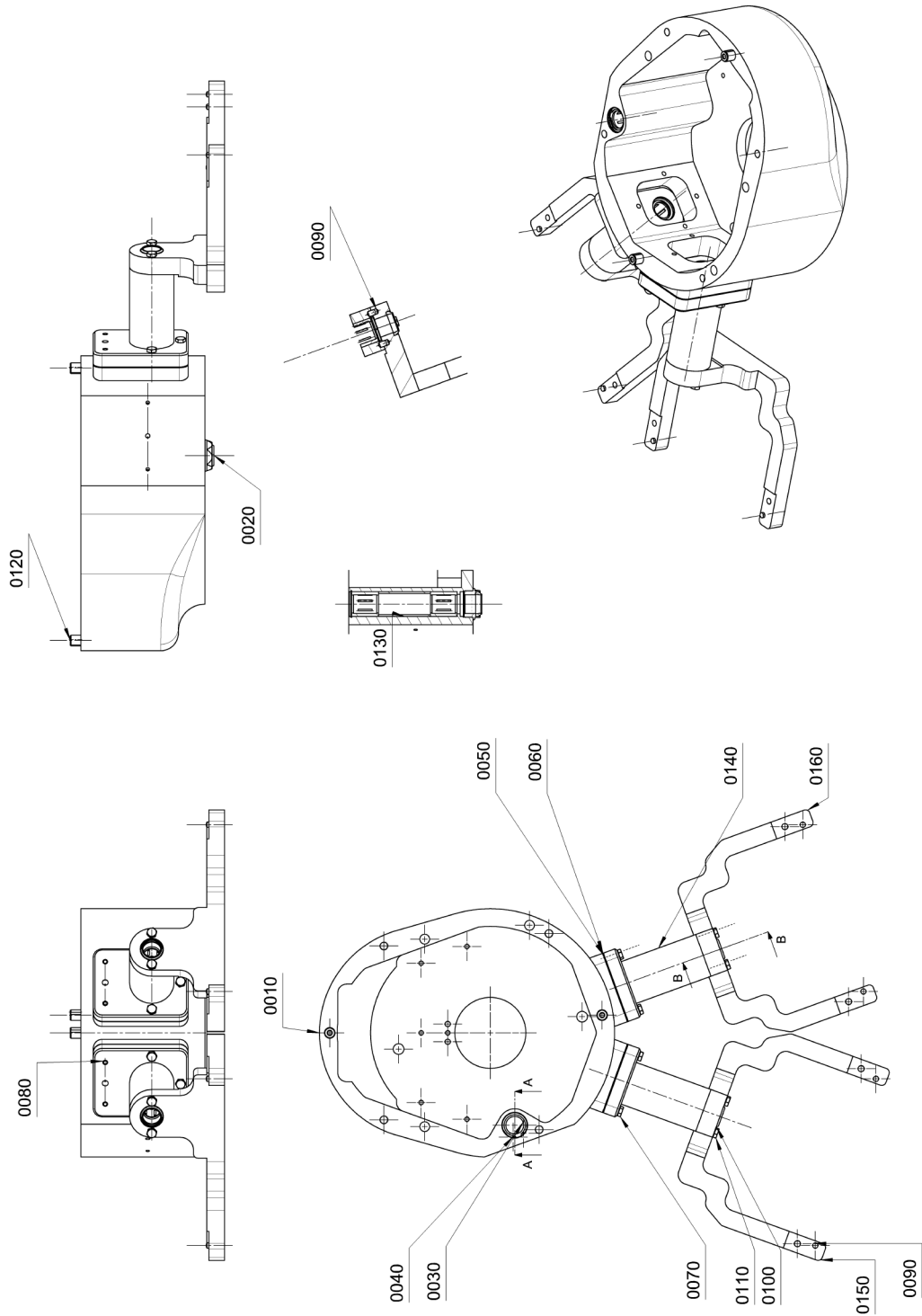
Pos.	Part no.	Designation	Qty.	UQ	A	Page
0010	7269534	Base middle column complete FEC20	1	PCE	E	120
0020	7266588	Frame middle colu. FEC20 complete	1	PCE	E	124
0030	7269131	Drive magazin row 1 FEC20	1	PCE	E	136
0040	7269187	Drive magazin row 2 FEC20	1	PCE	E	140
0050	7269088	Drive sorting fork FEC20 complete	1	PCE	E	144
0060	7269230	Drive rejection non-separated FEC20 complete	1	PCE	E	150



## 1.24.1

### 7269534 Base middle column complete FEC20

Pos.	Part no.	Designation	Qty.	UQ	A	Page
0010	7268036	Base middle column FEC20	1	PCE	E	
0020	7160276	Sleeve with scraper	1	PCE	-	122
0030	7168046	Ball bushing KH 20 PP	6	PCE	N	
0040	7186178	Seeger circlip JV28	5	PCE	N	
0050	7268100	Calotte guide sorting fork FEC20	2	PCE	E	
0060	7269638	Tuning plate sorting fork FEC20	2	PCE	E	
0070	9116307	Hexagon head bolt ISO4014-M6x40-A2-70	8	PCE	N	
0080	7172179	Dowel pin ISO 22338-A-6x50 VA	4	PCE	N	
0090	7094690	Parallel pin M6X 8-DIN7	8	PCE	N	
0100	7160275	Scraper	2	PCE	V	
0110	3390609	Hexagon head bolt ISO4014-M6x30-A2-70	4	PCE	N	
0120	7016120	Straight pin d12x30	2	PCE	E	
0130	7269639	Distance sleeve non sep. cap. FEC20	1	PCE	E	
0140	7269652	Guide sorting fork FEC20	2	PCE	E	
0150	7269594	Receptacle sorting block track 2	1	PCE	E	
0160	7269607	Receptacle sorting block track 1	1	PCE	E	

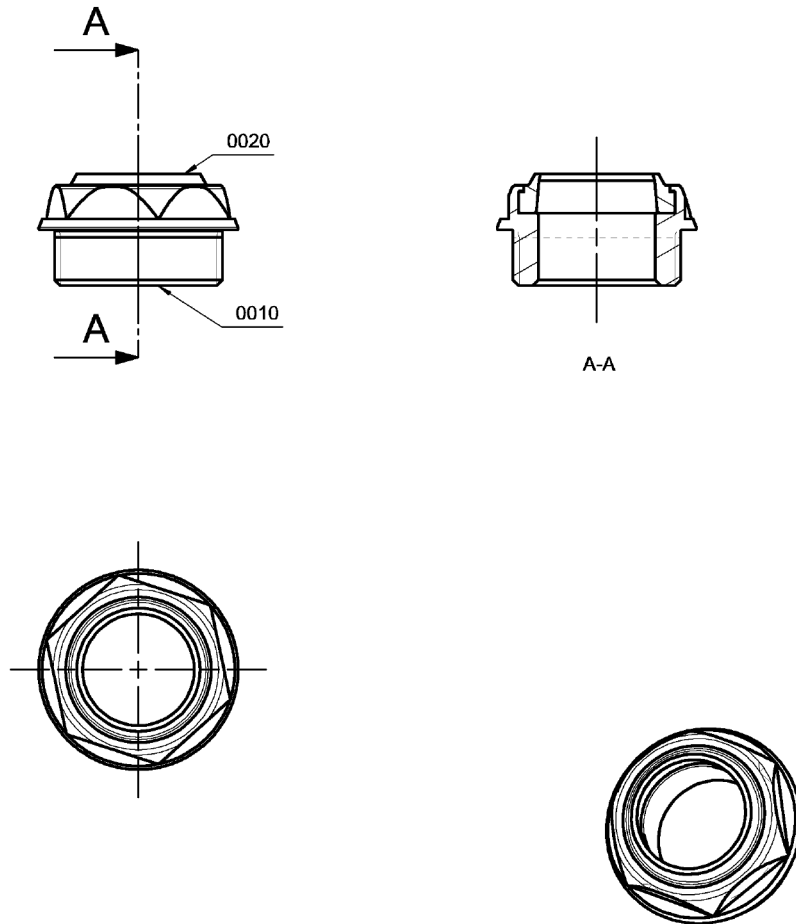


---

### 1.24.1.1

#### 7160276 Sleeve with scraper

Pos.	Part no.	Designation	Qty.	UQ	A	Page
0010	7160274	Scraper mounting sleeve	1	PCE	E	
0020	7160275	Scraper	4	PCE	V	

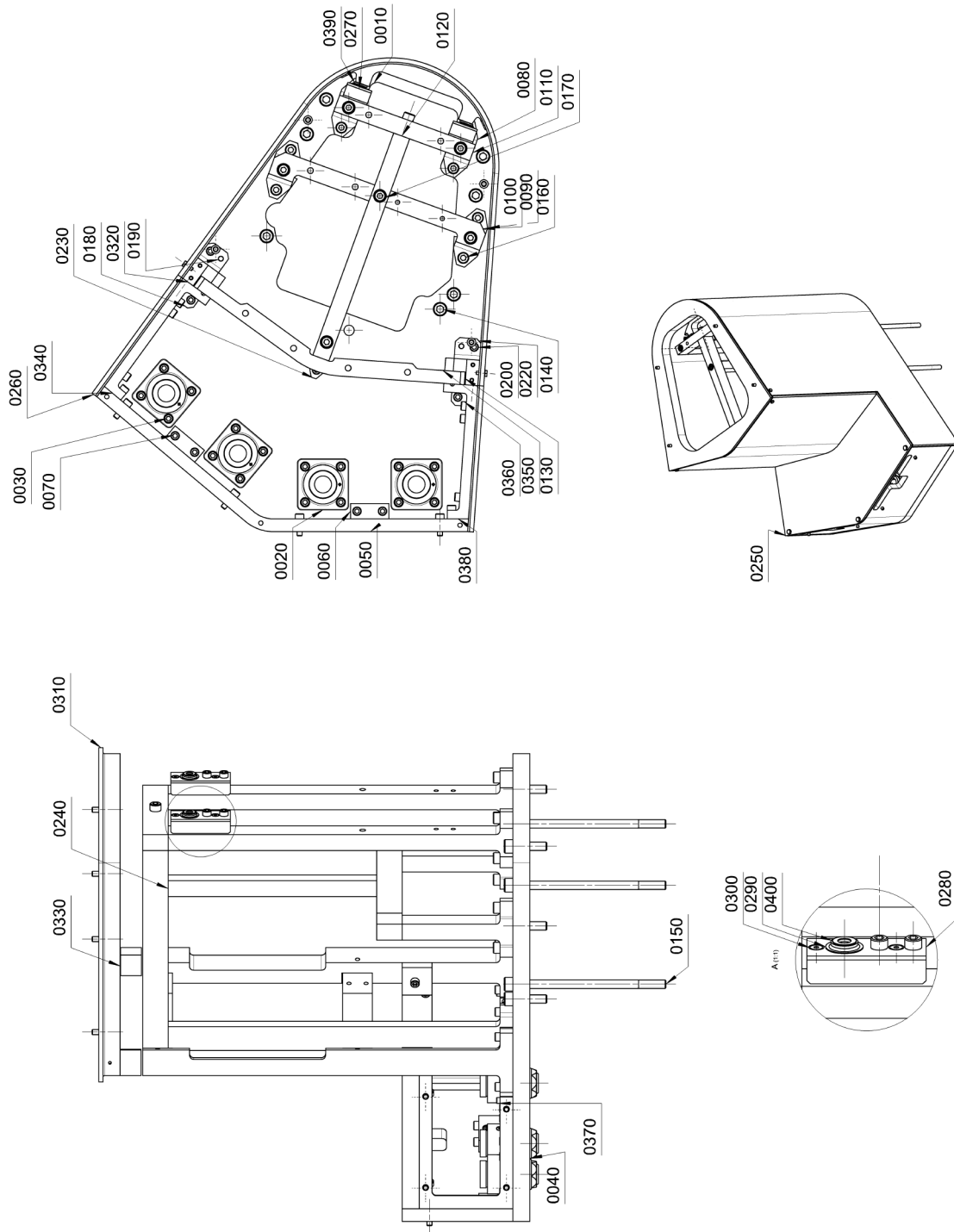


## 1.24.2

### 7266588 Frame middle colu. FEC20 complete

Pos.	Part no.	Designation	Qty.	UQ	A	Page
0010	7252958	Basic plate middle column FEC20	1	PCE	E	
0020	7171646	Linear ball bearing	4	PCE	N	
0030	2143477	Hexagon socket head cap screw ISO4762-M6x20-A2-70	32	PCE	N	
0040	7160276	Sleeve with scraper	4	PCE	-	128
0050	7253048	Cheek FEC20	1	PCE	E	
0060	7171158	Fixing for rail, middle column	2	PCE	E	
0070	2143482	Hexagon socket head cap screw ISO4762-M6x50-A2-70	4	PCE	N	
0080	7253205	Supporting ledge behind midd. co. FEC20	2	PCE	E	
0090	7253184	Supporting ledge center midd. co. FEC20	2	PCE	E	
0100	7253253	Crossbar center mid. co. FEC20	1	PCE	E	
0110	7253211	Crossbar behind mi. co. FEC20	1	PCE	E	
0120	7253212	stringer above middle column FEC20	1	PCE	E	
0130	7253176	Crossbar ahead mid. co. FEC20	2	PCE	E	
0140	2143497	Hexagon socket head cap screw ISO4762-M10x40-A2-70	4	PCE	N	
0150	7171647	Hexagon socket head cap screw ISO4762-M10x180-A2-70	3	PCE	N	
0160	2143486	Hexagon socket head cap screw ISO4762-M8x30-A2-70	10	PCE	N	
0170	2143487	Hexagon socket head cap screw ISO4762-M8x35-A2-70	6	PCE	N	
0180	7253168	Support left ahead	1	PCE	E	
0190	9112921	Dowel pin DIN6325 - A - 6x20 Steel, through-hardened	6	PCE	N	
0200	2143478	Hexagon socket head cap screw ISO4762-M6x25-A2-70	14	PCE	N	
0220	7253147	Support right ahead	1	PCE	E	
0230	7253175	Supporting ledge center ahead	1	PCE	E	
0240	7253213	Connecting ledge vertical mi. co.	1	PCE	E	
0250	7253988	Panelling ahead mi. co. FEC20 complete	1	PCE	E	130
0260	7254004	Panelling behind mid. col. FEC20 compl.	1	PCE	E	134
0270	7266589	Adapter Snaploc coupling	2	PCE	E	
0280	7266590	Fixing part Snaploc metal sheet	2	PCE	E	
0290	7080488	Coupling	2	PCE	E	
0300	2143761	COUNTERSUNK SCREW DIN7991-M4X8-A2-70	4	PCE	N	
0310	7253215	Seal mounting middle column FEC20	1	PCE	E	
0320	7266593	Spacer block seal receptacle	2	PCE	E	
0330	2143462	Hexagon socket head cap screw ISO4762-M4x25-A2-70	4	PCE	N	
0340	7253054	mounting part for panelling left	1	PCE	E	
0350	2143476	Hexagon socket head cap screw ISO4762-M6x16-A2-70	6	PCE	N	
0360	2143475	Hexagon socket head cap screw ISO4762-M6x12-A2-70	8	PCE	N	

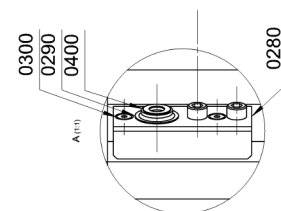
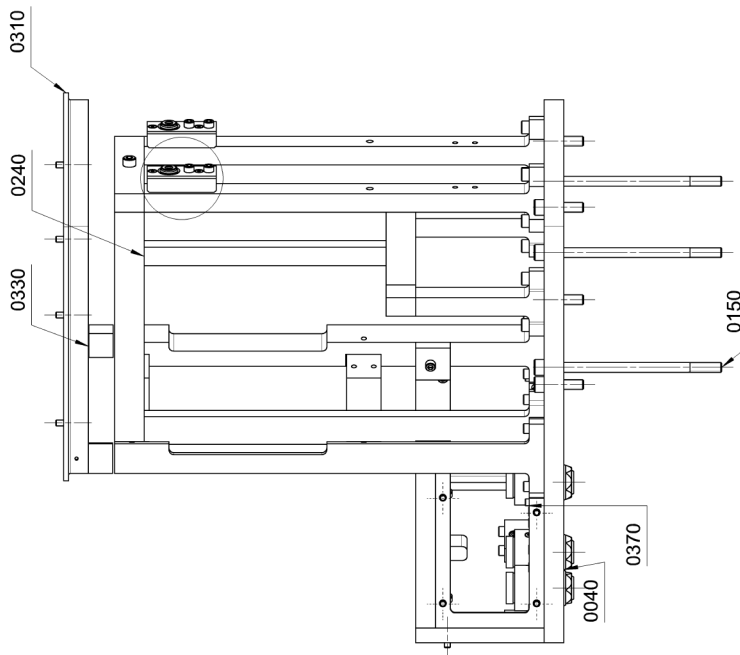
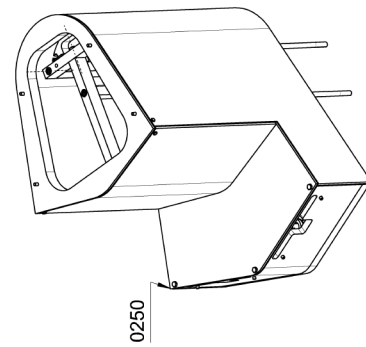
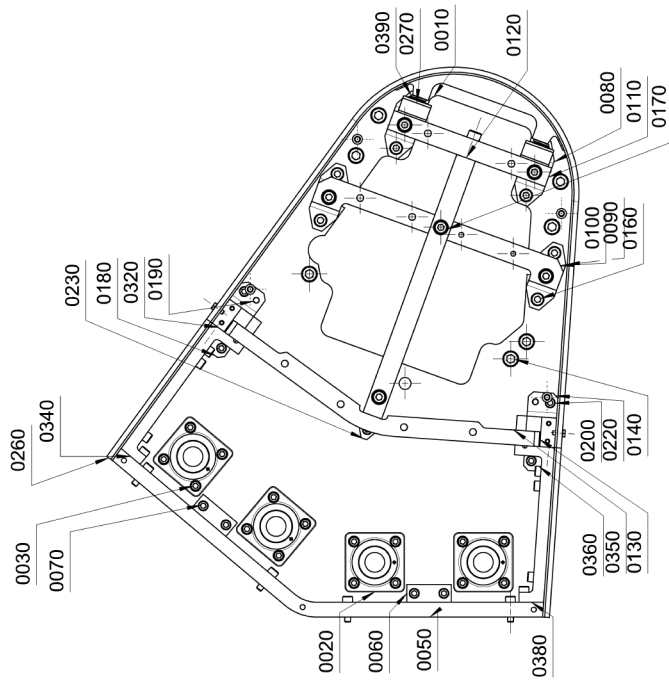




## 1.24.2

### 7266588 Frame middle colu. FEC20 complete

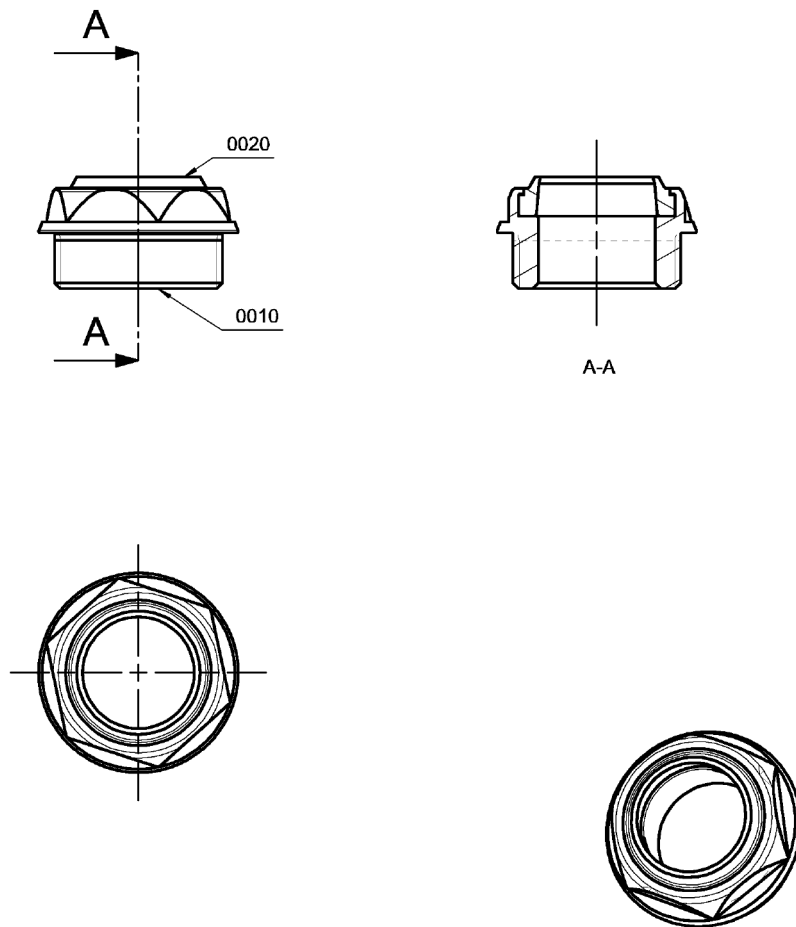
Pos.	Part no.	Designation	Qty.	UQ	A	Page
0370	2143461	Hexagon socket head cap screw ISO4762-M4x20-A2-70	2	PCE	N	
0380	7253042	Mounting part for panelling right	1	PCE	E	
0390	2143366	washer ISO7089-8-A2	2	PCE	N	
0400	9120152	Shim ring DIN988-8x14x0,5-A2	2	PCE	N	



### 1.24.2.1

#### 7160276 Sleeve with scraper

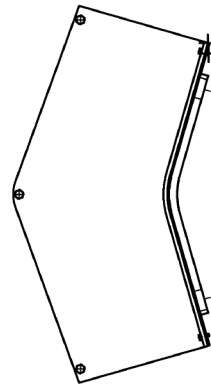
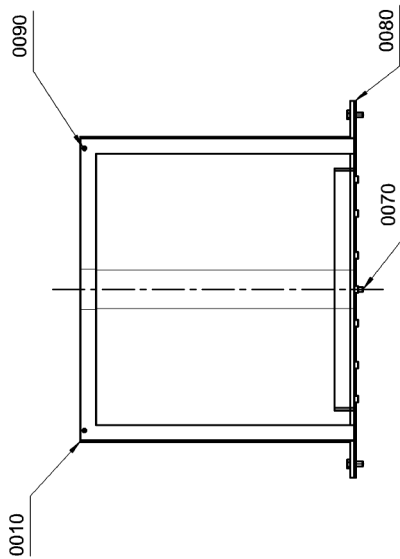
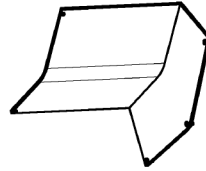
Pos.	Part no.	Designation	Qty.	UQ	A	Page
0010	7160274	Scraper mounting sleeve	1	PCE	E	
0020	7160275	Scraper	4	PCE	V	



## 1.24.2.2

### 7253988 Panelling ahead mi. co. FEC20 complete

Pos.	Part no.	Designation	Qty.	UQ	A	Page
0010	7286728	Panelling ahead mi. co. boiled FEC20	1	PCE	E	132
0070	2143567	Hexagon head bolt ISO4017-M6x16-A2-70	3	PCE	N	
0080	7253955	Sealing strip fairing rear	1	PCE	E	
0090	2143557	Hexagon head bolt ISO4017-M4x10-A2-70	2	PCE	N	

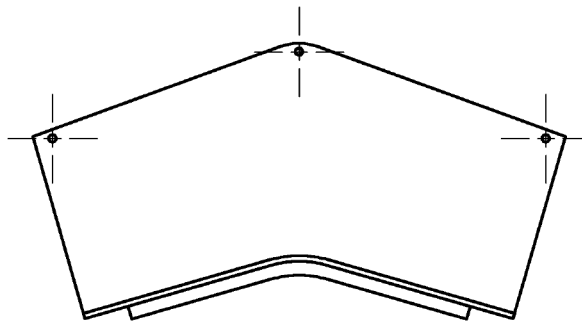
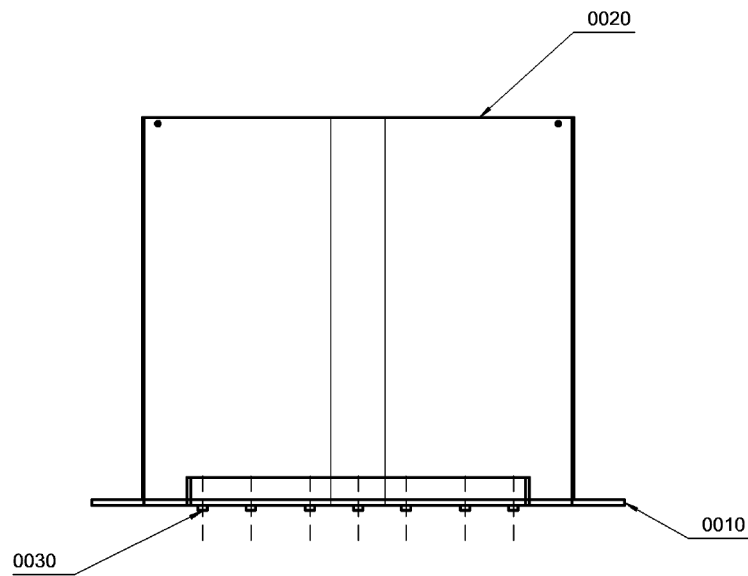


### 1.24.2.2.1

#### 7286728 Panelling ahead mi. co. boiled FEC20

Pos.	Part no.	Designation	Qty.	UQ	A	Page
0020	7286721	Panelling ahead middle column welding part	1	PCE	E	
0030	2143466	Hexagon socket head cap screw ISO4762-M5x16-A2-70	7	PCE	N	

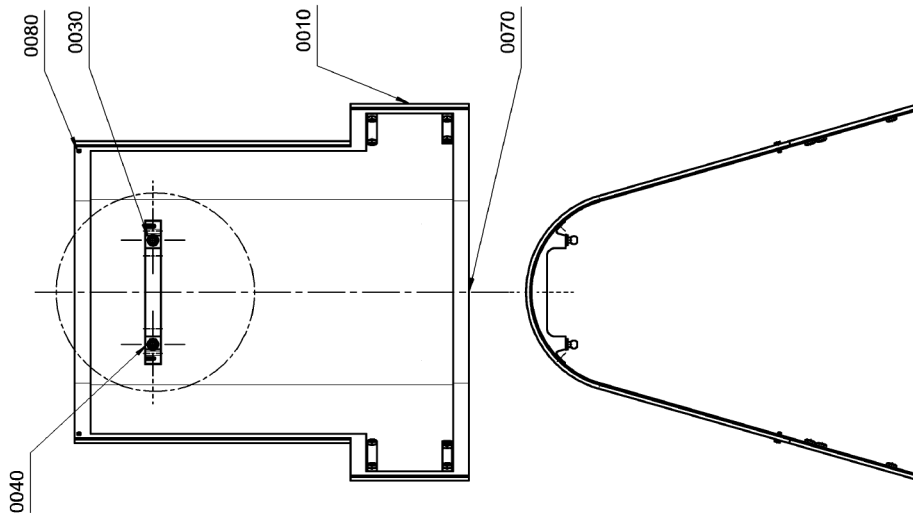
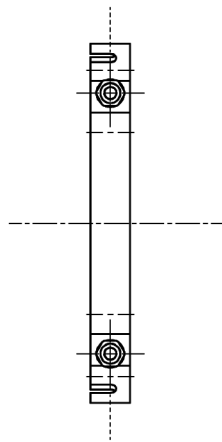
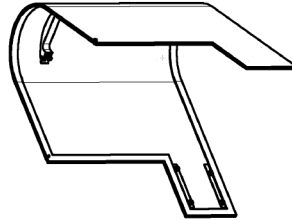




### 1.24.2.3

#### 7254004 Panelling behind mid. col. FEC20 compl.

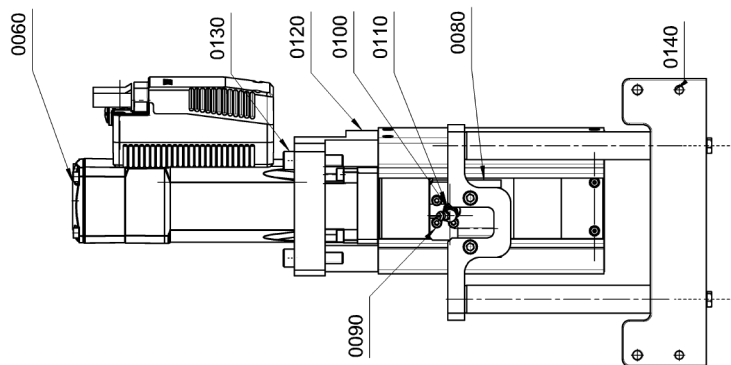
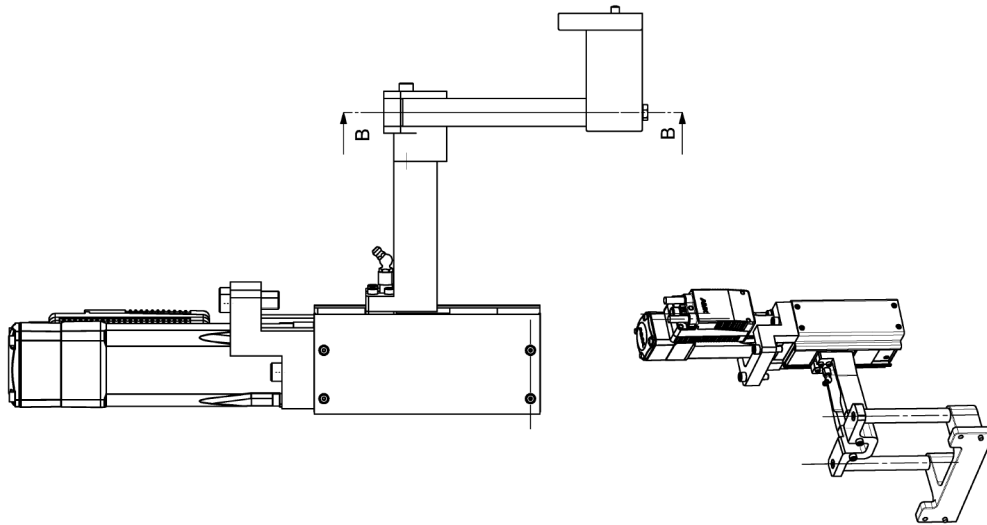
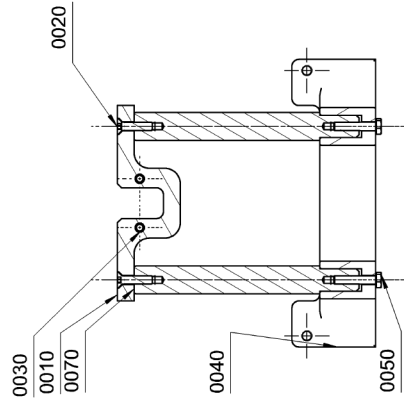
Pos.	Part no.	Designation	Qty.	UQ	A	Page
0010	7286601	Panelling behind middle column FEC20	1	PCE	-	
0030	9120152	Shim ring DIN988-8x14x0,5-A2	2	PCE	N	
0040	7080478	Ball-headed pin	2	PCE	N	
0070	7253955	Sealing strip fairing rear	1	PCE	E	
0080	2143557	Hexagon head bolt ISO4017-M4x10-A2-70	2	PCE	N	



### 1.24.3

#### 7269131 Drive magazin row 1 FEC20

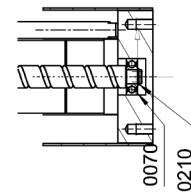
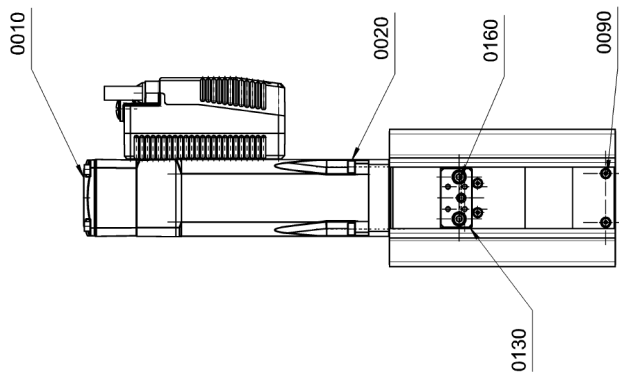
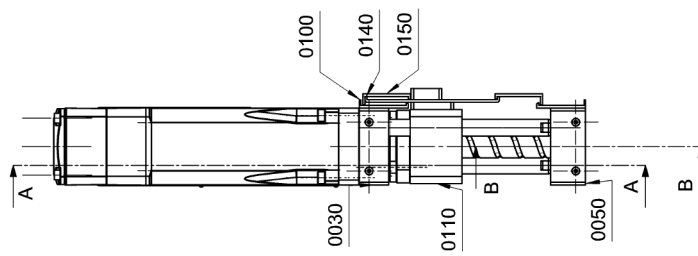
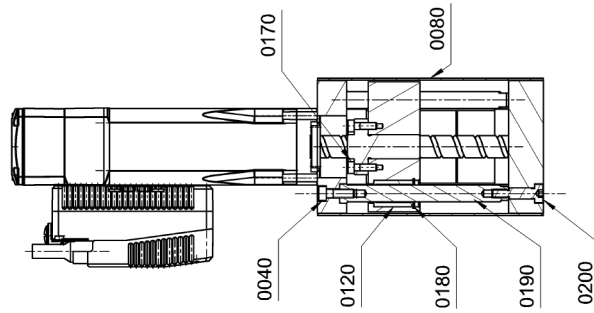
Pos.	Part no.	Designation	Qty.	UQ	A	Page
0010	7170401	Magazine bridge	1	PCE	E	
0020	2236586	COUNTERSUNK SCREW DIN7991-M6X25-A2-70	2	PCE	N	
0030	2144565	Hexagon socket head cap screw ISO4762-M6x60-A2-70	2	PCE	N	
0040	7170410	Magazine mounting	1	PCE	E	
0050	3390609	Hexagon head bolt ISO4014-M6x30-A2-70	2	PCE	N	
0060	7269128	EZ3-1-16 Guide magazin row 1	1	PCE	E	138
0070	7170409	Magazine guide column	2	PCE	E	
0080	7267964	Carrier bridge magazin row 1 FEC20	1	PCE	E	
0090	2143460	Hexagon socket head cap screw ISO4762-M4x16-A2-70	4	PCE	N	
0100	7222273	Grease nipple DIN 71412 H2 M5x0.8 45deg	1	PCE	N	
0110	7170882	Extension, rejection unit lubrication unit	1	PCE	E	
0120	7267913	Holder Magazin drive row 1	1	PCE	E	
0130	2143487	Hexagon socket head cap screw ISO4762-M8x35-A2-70	4	PCE	N	
0140	2143292	STRAIGHT PIN DIN7-6M6X12-A2	2	PCE	N	



### 1.24.3.1

#### 7269128 EZ3-1-16 Guide magazin row 1

Pos.	Part no.	Designation	Qty.	UQ	A	Page
0010	7155387	Spindle motor SEZ3 1 Nm with 16 mm pitch and integrated controller ihXT	1	PCE	E	
0020	2143470	Hexagon socket head cap screw ISO4762-M5x35-A2-70	4	PCE	N	
0030	7155321	Guide block	1	PCE	E	
0040	2143477	Hexagon socket head cap screw ISO4762-M6x20-A2-70	2	PCE	N	
0050	7155313	Guide block	1	PCE	E	
0070	2146452	Rolling bearing DIN 625-6000-2RS	1	PCE	N	
0080	7155335	Housing	1	PCE	E	
0090	2143237	COUNTERSUNK SCREW DIN7991-M3X6-8.8	14	PCE	N	
0100	7155323	Housing	2	PCE	E	
0110	7154412	Actuator drive guide carriage	1	PCE	E	
0120	7152168	Ball bushing	2	PCE	N	
0130	7155302	Actuator drive clamping lever	1	PCE	E	
0140	7155309	Housing	1	PCE	E	
0150	7155272	Housing	2	PCE	E	
0160	2143467	Hexagon socket head cap screw ISO4762-M5x20-A2-70	2	PCE	N	
0170	2143466	Hexagon socket head cap screw ISO4762-M5x16-A2-70	6	PCE	N	
0180	7186180	Seeger circlip JV19	2	PCE	N	
0190	7155337	Guide spindle	2	PCE	E	
0200	7274262	MISUMI Europa GmbH adjusting screw GDSMSB8-18-F12-M6	2	PCE	N	
0210	2143793	locking ring DIN 471-10x1-A2	1	PCE	N	

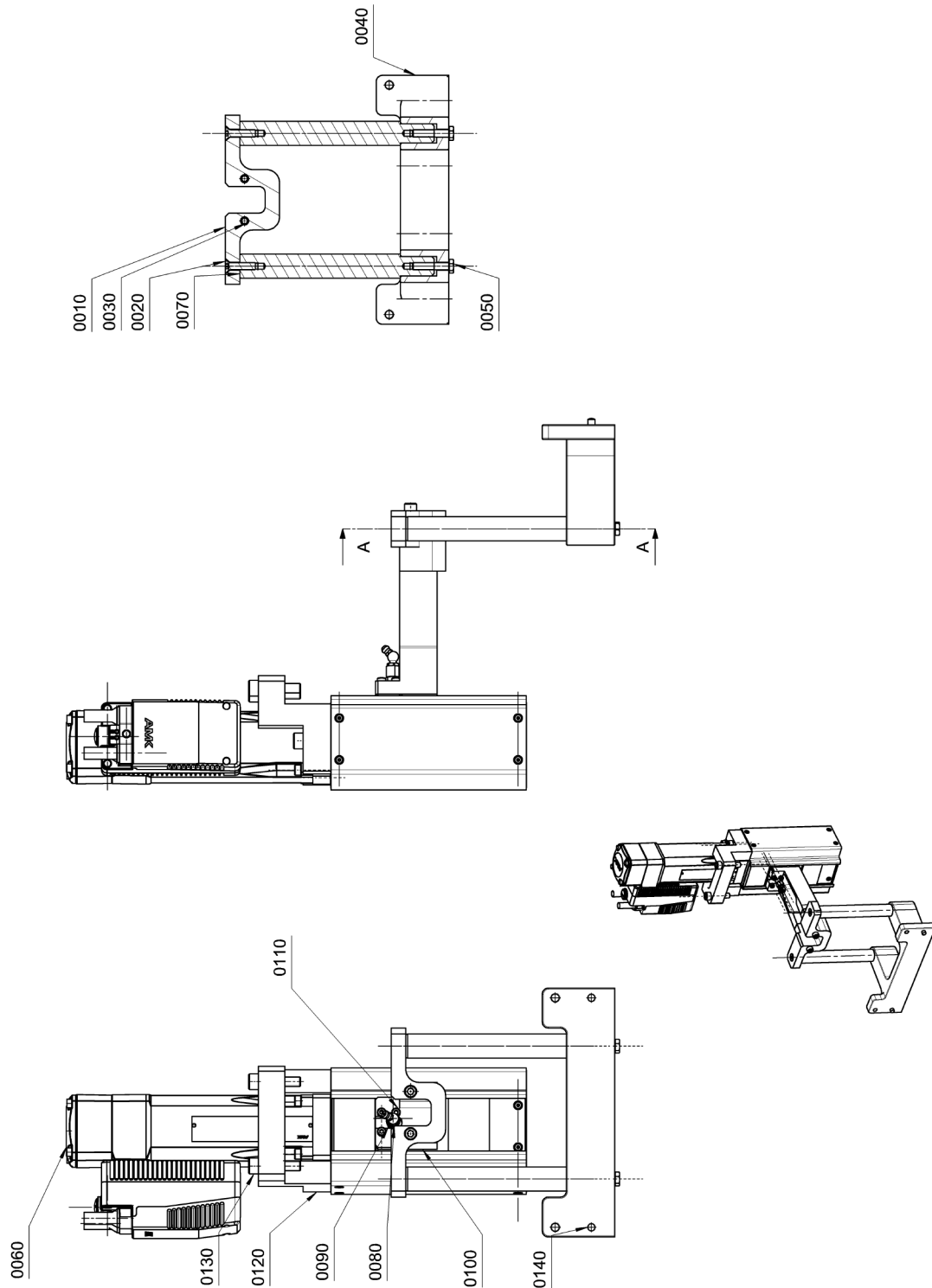


## 1.24.4

### 7269187 Drive magazin row 2 FEC20

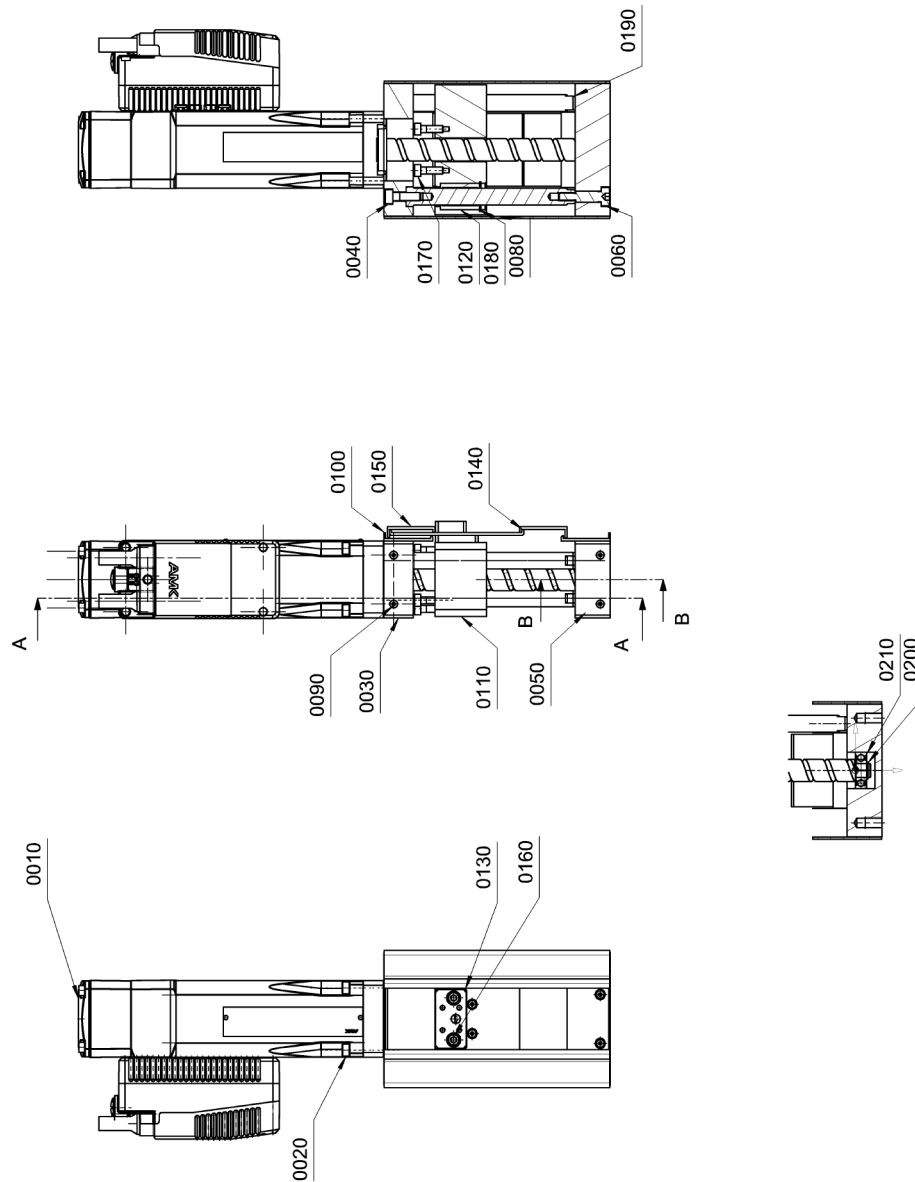
Pos.	Part no.	Designation	Qty.	UQ	A	Page
0010	7170401	Magazine bridge	1	PCE	E	
0020	2236586	COUNTERSUNK SCREW DIN7991-M6X25-A2-70	2	PCE	N	
0030	2144565	Hexagon socket head cap screw ISO4762-M6x60-A2-70	2	PCE	N	
0040	7170529	Mounting, magazine outer row	1	PCE	E	
0050	3390609	Hexagon head bolt ISO4014-M6x30-A2-70	2	PCE	N	
0060	7269173	SEZ3 1- 16 Guide Magazin row 2	1	PCE	E	142
0070	7170409	Magazine guide column	2	PCE	E	
0080	7222273	Grease nipple DIN 71412 H2 M5x0.8 45deg	1	PCE	N	
0090	7170882	Extension, rejection unit lubrication unit	1	PCE	E	
0100	7268725	Carrier bridge magazin row 2 FEC20	1	PCE	E	
0110	2143460	Hexagon socket head cap screw ISO4762-M4x16-A2-70	4	PCE	N	
0120	7268750	Holder magazin drive row 2	1	PCE	E	
0130	2143487	Hexagon socket head cap screw ISO4762-M8x35-A2-70	4	PCE	N	
0140	2143292	STRAIGHT PIN DIN7-6M6X12-A2	2	PCE	N	





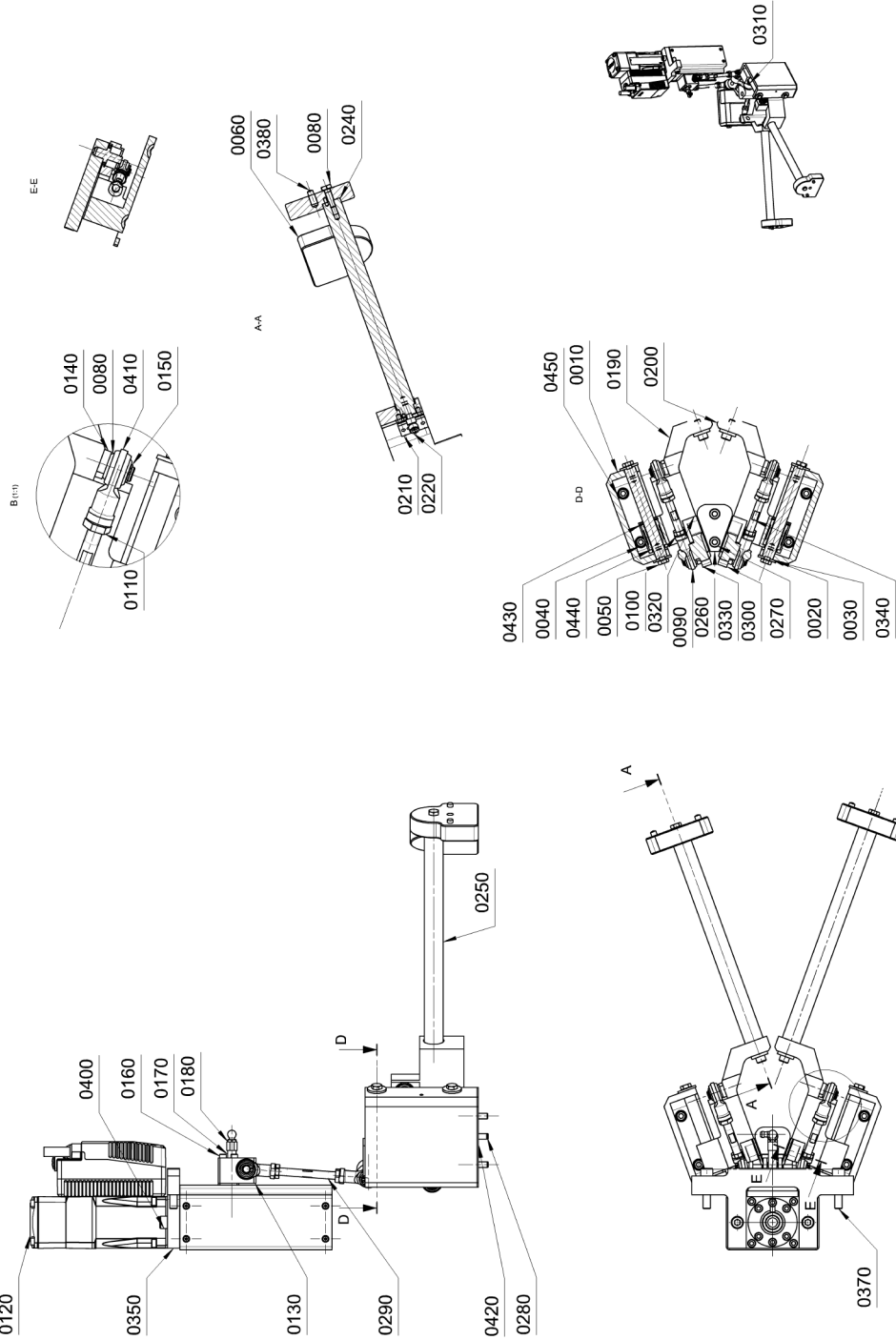
### 1.24.4.1 7269173 SEZ3 1- 16 Guide Magazin row 2

Pos.	Part no.	Designation	Qty.	UQ	A	Page
0010	7155387	Spindle motor SEZ3 1 Nm with 16 mm pitch and integrated controller ihXT	1	PCE	E	
0020	2143470	Hexagon socket head cap screw ISO4762-M5x35-A2-70	4	PCE	N	
0030	7155321	Guide block	1	PCE	E	
0040	2143477	Hexagon socket head cap screw ISO4762-M6x20-A2-70	2	PCE	N	
0050	7155313	Guide block	1	PCE	E	
0060	7274262	MISUMI Europa GmbH adjusting screw GDSMSB8-18-F12-M6	2	PCE	N	
0080	7155335	Housing	1	PCE	E	
0090	2143237	COUNTERSUNK SCREW DIN7991-M3X6-8.8	14	PCE	N	
0100	7155323	Housing	2	PCE	E	
0110	7154412	Actuator drive guide carriage	1	PCE	E	
0120	7152168	Ball bushing	2	PCE	N	
0130	7155302	Actuator drive clamping lever	1	PCE	E	
0140	7155309	Housing	1	PCE	E	
0150	7155272	Housing	2	PCE	E	
0160	2143467	Hexagon socket head cap screw ISO4762-M5x20-A2-70	2	PCE	N	
0170	2143466	Hexagon socket head cap screw ISO4762-M5x16-A2-70	6	PCE	N	
0180	7186180	Seeger circlip JV19	2	PCE	N	
0190	7155337	Guide spindle	2	PCE	E	
0200	2143793	locking ring DIN 471-10x1-A2	1	PCE	N	
0210	2146452	Rolling bearing DIN 625-6000-2RS	1	PCE	N	



## 1.24.5 7269088 Drive sorting fork FEC20 complete

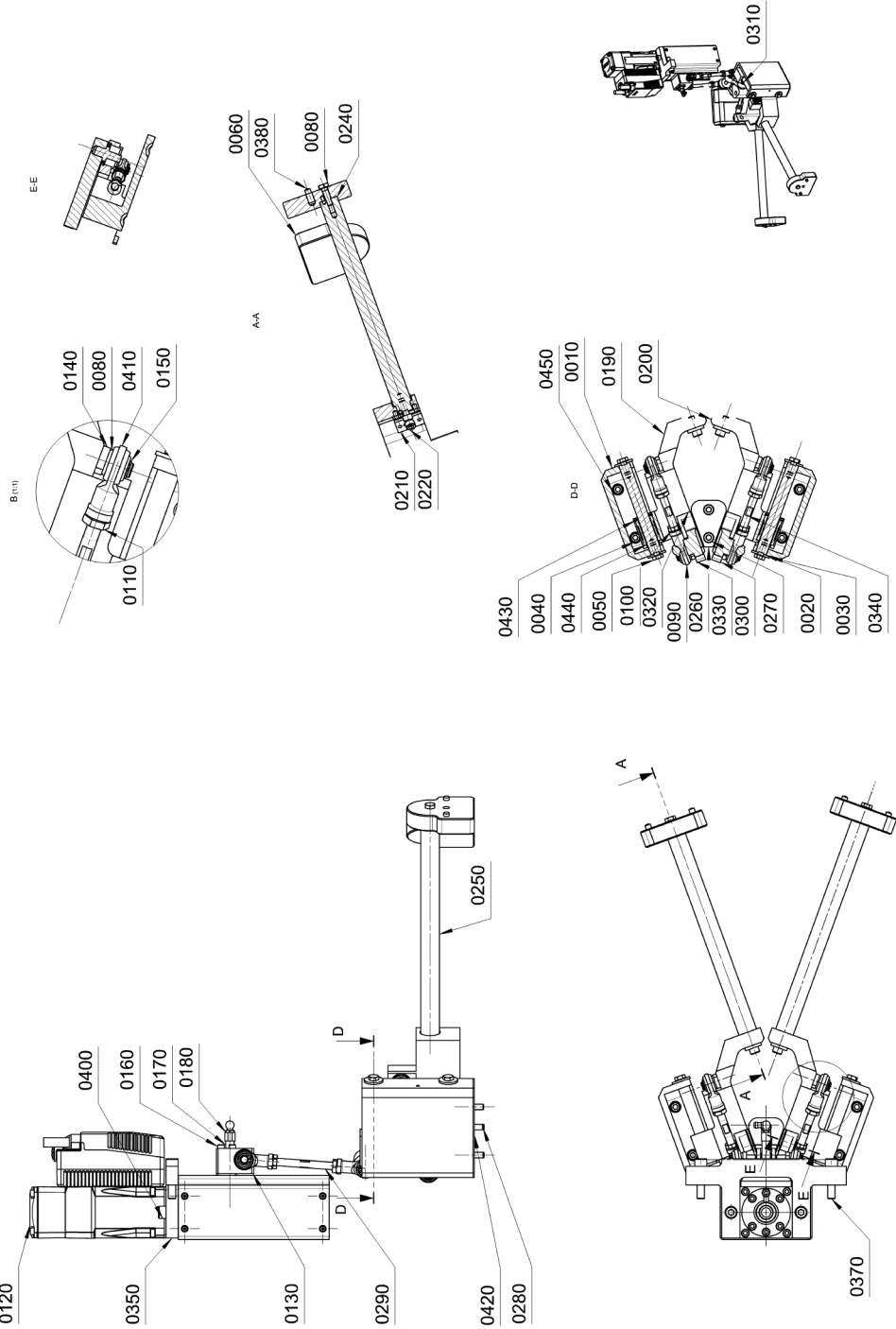
Pos.	Part no.	Designation	Qty.	UQ	A	Page
0010	7188907	Sorting carriage guide	2	PCE	E	
0020	7305968	guide shaft sorting slide	4	PCE	E	
0030	7188963	Plain washer WSSS20-6-2	8	PCE	-	
0040	2143477	Hexagon socket head cap screw ISO4762-M6x20-A2-70	4	PCE	N	
0050	2143566	Hexagon head bolt ISO4017-M6x12-A2-70	8	PCE	N	
0060	7277164	flange plate sorting slider	2	PCE	E	
0070	9119928	Parallel pin DIN7 - A1 - 3m6x6	4	PCE	N	
0080	2143568	Hexagon head bolt ISO4017-M6x20-A2-70	2	PCE	N	
0090	7171123	Jointed head, diameter 8	4	PCE	N	
0100	2141676	NUT DIN439-B-M8	4	PCE	N	
0110	7186747	MUT.6K.BM8-LH -DIN 439 VA	4	PCE	N	
0120	7155353	SEZ3 0,5 16 drive with guide sorting fork	1	PCE	-	148
0130	7170888	Actuating arm, sorting fork drive	1	PCE	E	
0140	7171029	Pivot bolt, sorting fork, long	10	PCE	E	
0150	7092242	Sealing ring DIN 471 8x0,8 VA	10	PCE	E	
0160	7113415	Hexagon socket head cap screw ISO4762-M4x35-A2-70	4	PCE	N	
0170	7170413	Extension, magazine lubrication unit	1	PCE	E	
0180	7251044	Grease nipple DIN71412 B H3 M5x0.8 90deg	1	PCE	N	
0190	7268873	Slide sorting slide row 1 FEC20	1	PCE	E	
0200	7268895	Slide sorting slide row 2 FEC20	1	PCE	E	
0210	7268967	anti-rotation device sorting fork	2	PCE	E	
0220	2143476	Hexagon socket head cap screw ISO4762-M6x16-A2-70	2	PCE	N	
0230	7027165	Straight pin ISO 22338	4	PCE	N	
0240	7269047	Guide column sorting fork	1	PCE	E	
0250	7268984	Guide column sorting fork row 2	1	PCE	E	
0260	7268121	Mounting reversing sorting fork FEC20	1	PCE	E	
0270	9182546	Hexagon socket head cap screw ISO4762-M6x100-A2-70	2	PCE	N	
0280	9112921	Dowel pin DIN6325 - A - 6x20 Steel, through-hardened	2	PCE	N	
0290	7269074	Threaded rod follower long sorting fork	2	PCE	E	
0300	7268829	Deflection handle sorting fork row 2	1	PCE	E	
0310	7222310	Angular contact ball bearing 30/8-B-2RSR-TVH	2	PCE	N	
0320	6903977	DIN472-22X1 retaining ring	2	PCE	4	
0330	7268817	Deflection handle sorting fork row 1	1	PCE	E	
0340	7269070	Threaded rod follower short so. fork	2	PCE	E	
0350	7268069	Bracket sorting slider drive	1	PCE	E	
0370	2143487	Hexagon socket head cap screw ISO4762-M8x35-A2-70	2	PCE	N	
0380	2143292	STRAIGHT PIN DIN7-6M6X12-A2	4	PCE	N	
0400	2143485	Hexagon socket head cap screw ISO4762-M8x25-A2-70	2	PCE	N	



## 1.24.5

### 7269088 Drive sorting fork FEC20 complete

Pos.	Part no.	Designation	Qty.	UQ	A	Page
0410	7307485	Rod End Bearings M8 left thread female	4	PCE	N	
0420	7305833	tuning plate guideline sorting slide	2	PCE	E	
0430	7186180	Seeger circlip JV19	4	PCE	N	
0440	7152168	Ball bushing	4	PCE	N	
0450	7197676	washer ISO7089-6-A4	4	PCE	N	

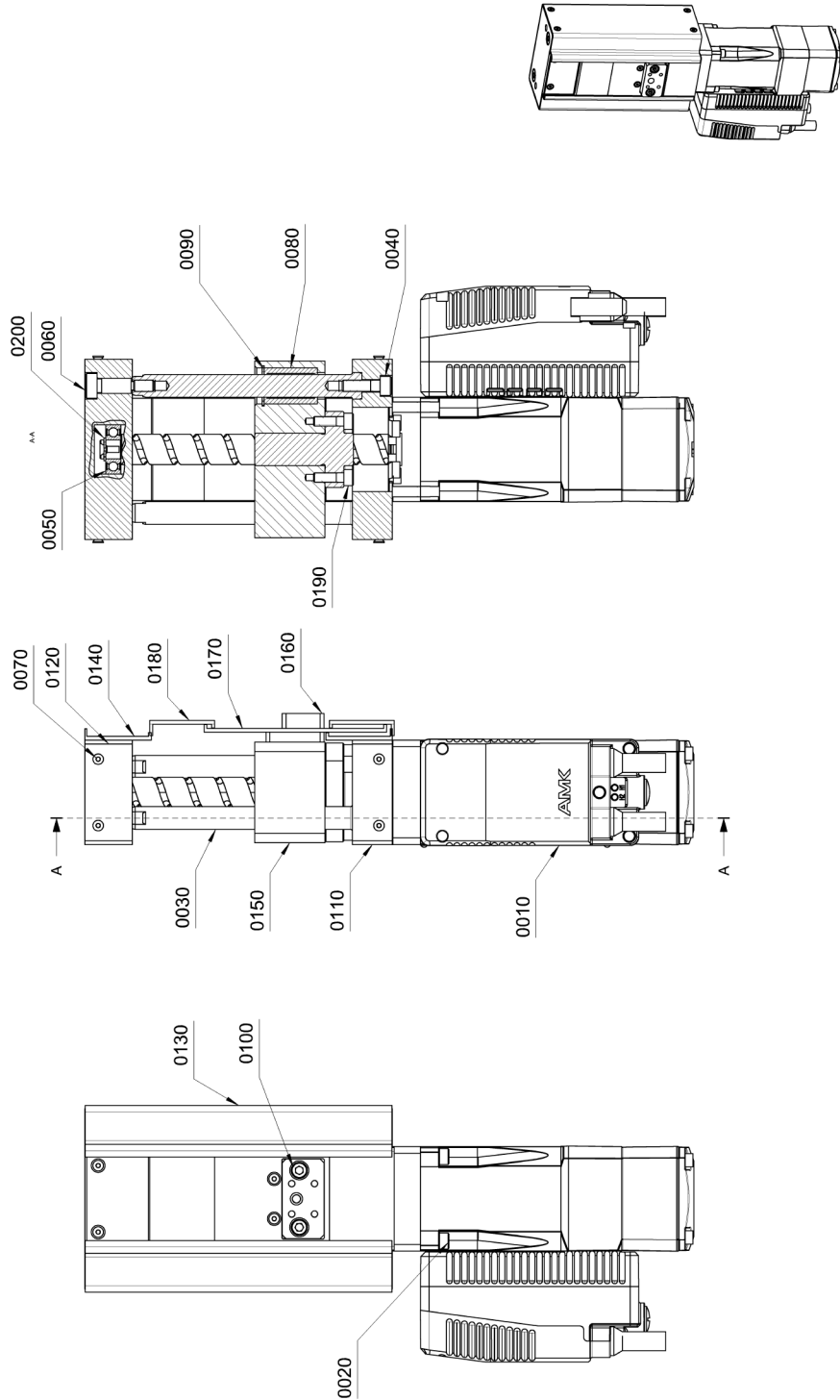


### 1.24.5.1

#### 7155353 SEZ3 0,5 16 drive with guide sorting fork

Pos.	Part no.	Designation	Qty.	UQ	A	Page
0010	7155351	Spindle motor SEZ3 0.5 Nm with 10 mm pitch and integrated controller ihXT	1	PCE	E	
0020	2143470	Hexagon socket head cap screw ISO4762-M5x35-A2-70	4	PCE	N	
0030	7155337	Guide spindle	2	PCE	E	
0040	2143477	Hexagon socket head cap screw ISO4762-M6x20-A2-70	2	PCE	N	
0050	2146452	Rolling bearing DIN 625-6000-2RS	1	PCE	N	
0060	7274262	MISUMI Europa GmbH adjusting screw GDSMSB8-18-F12-M6	2	PCE	N	
0070	2143237	COUNTERSUNK SCREW DIN7991-M3X6-8.8	14	PCE	N	
0080	7152168	Ball bushing	2	PCE	N	
0090	7186180	Seeger circlip JV19	2	PCE	N	
0100	2143467	Hexagon socket head cap screw ISO4762-M5x20-A2-70	2	PCE	N	
0110	7155321	Guide block	1	PCE	E	
0120	7155313	Guide block	1	PCE	E	
0130	7155335	Housing	1	PCE	E	
0140	7155323	Housing	2	PCE	E	
0150	7154412	Actuator drive guide carriage	1	PCE	E	
0160	7155302	Actuator drive clamping lever	1	PCE	E	
0170	7155309	Housing	1	PCE	E	
0180	7155272	Housing	2	PCE	E	
0190	2143466	Hexagon socket head cap screw ISO4762-M5x16-A2-70	6	PCE	N	
0200	2141581	locking ring DIN 471-10x1-St	1	PCE	N	

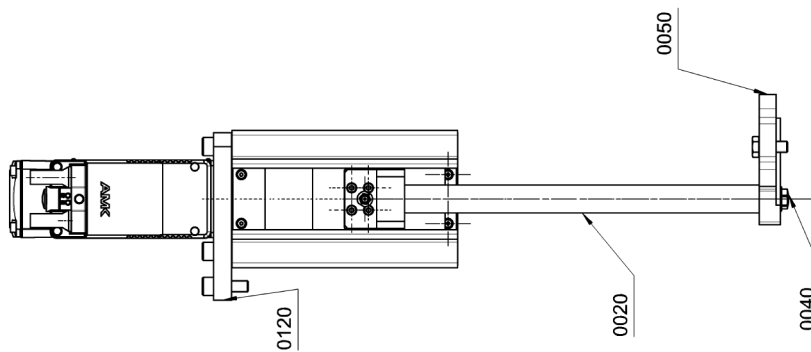
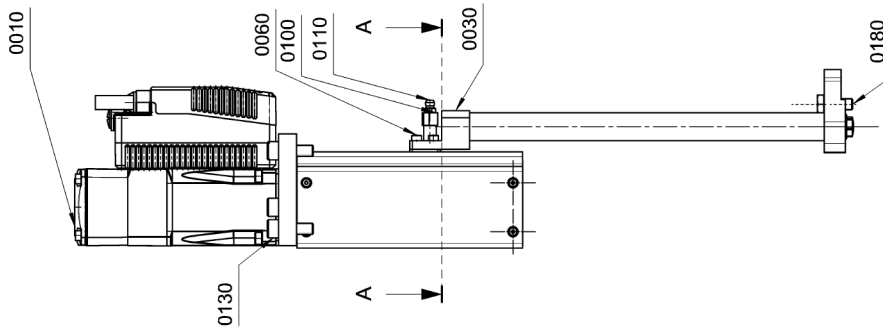
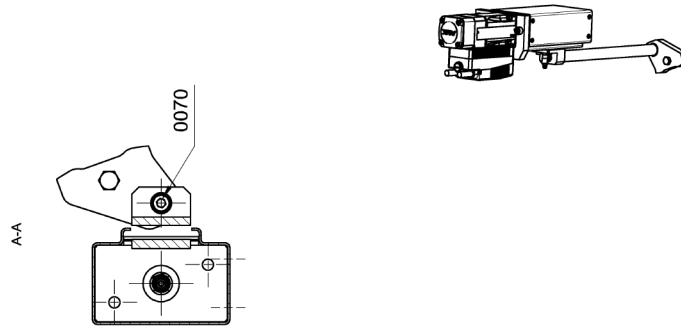




## 1.24.6

### 7269230 Drive rejection non-separated FEC20 complete

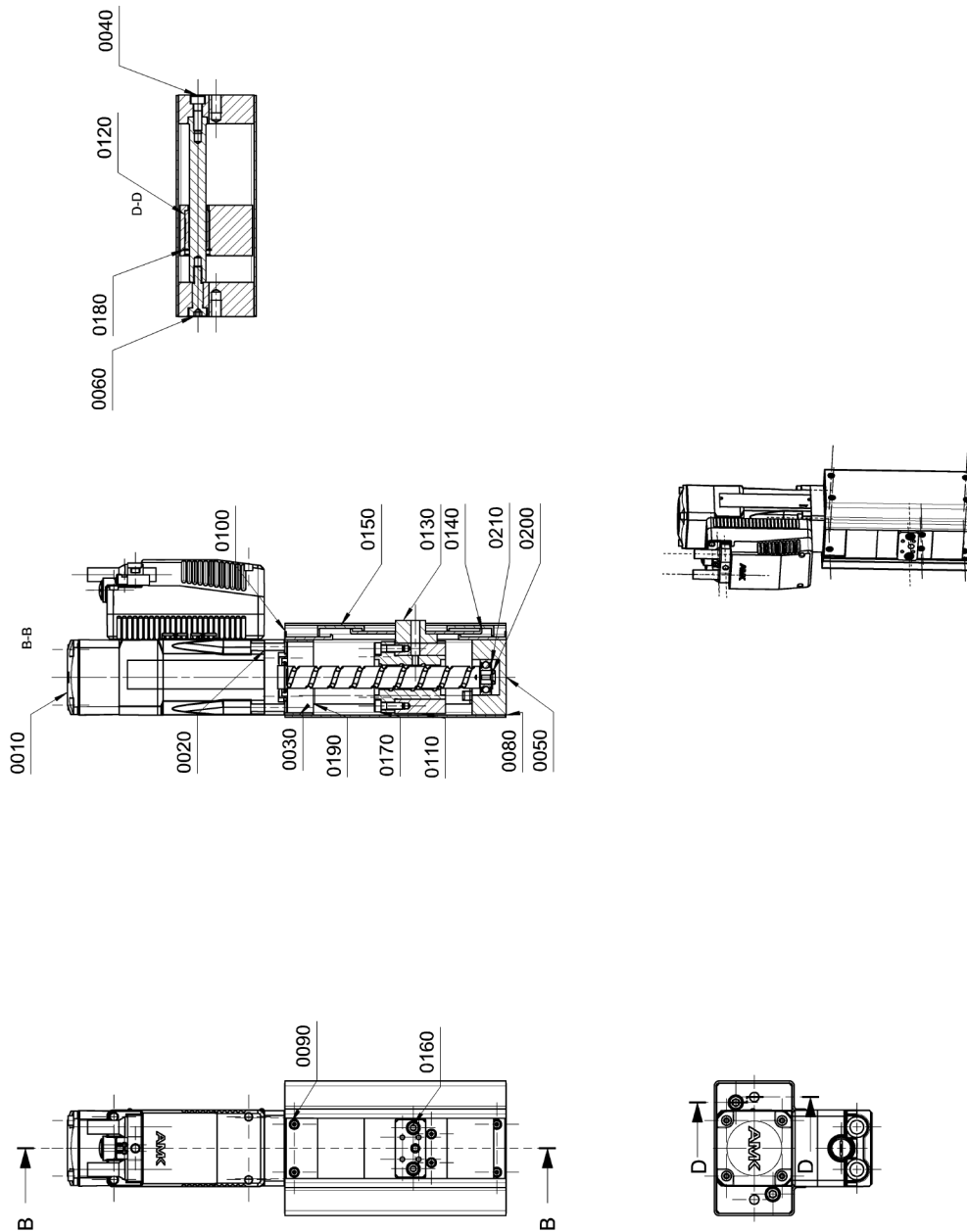
Pos.	Part no.	Designation	Qty.	UQ	A	Page
0010	7269199	SEZ3 0,5 16 Guide rejection non separated capsules FEC20	1	PCE	E	152
0020	7268134	Stroke shaft rejection non-separated capsule FEC20	1	PCE	E	
0030	7277428	Follower lifting rod, rejection non-separated capsules	1	PCE	E	
0040	7158159	Hexagon nut for format-specific parts	1	PCE	E	
0050	7277555	Mounting plate ejection pin non-separated capsules FEC20 complete	1	PCE	E	154
0060	2143459	Hexagon socket head cap screw ISO4762-M4x12-A2-70	4	PCE	N	
0070	2143484	Hexagon socket head cap screw ISO4762-M8x20-A2-70	1	PCE	N	
0100	7170882	Extension, rejection unit lubrication unit	1	PCE	E	
0110	7171648	Grease nipple DIN 71412 H1 M5x0.8 straight	1	PCE	N	
0120	7268077	Holder driver rejection of non sepa. capsules FEC20	1	PCE	E	
0130	2143485	Hexagon socket head cap screw ISO4762-M8x25-A2-70	4	PCE	N	
0180	2143570	Hexagon head bolt ISO4017-M8x20-A2-70	1	PCE	N	



### 1.24.6.1

#### 7269199 SEZ3 0,5 16 Guide rejection non separated capsules FEC20

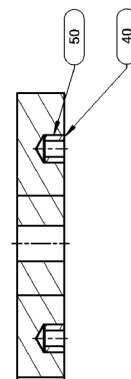
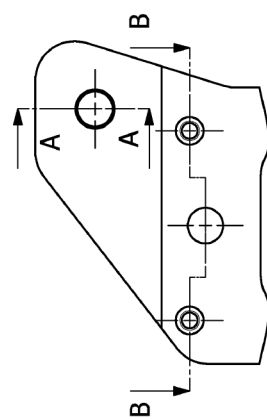
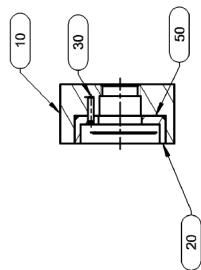
Pos.	Part no.	Designation	Qty.	UQ	A	Page
0010	7155351	Spindle motor SEZ3 0.5 Nm with 10 mm pitch and integrated controller ihXT	1	PCE	E	
0020	2143470	Hexagon socket head cap screw ISO4762-M5x35-A2-70	4	PCE	N	
0030	7155321	Guide block	1	PCE	E	
0040	2143477	Hexagon socket head cap screw ISO4762-M6x20-A2-70	2	PCE	N	
0050	7155313	Guide block	1	PCE	E	
0060	7274262	MISUMI Europa GmbH adjusting screw GDSMSB8-18-F12-M6	2	PCE	N	
0080	7155335	Housing	1	PCE	E	
0090	2143237	COUNTERSUNK SCREW DIN7991-M3X6-8.8	14	PCE	N	
0100	7155323	Housing	2	PCE	E	
0110	7154412	Actuator drive guide carriage	1	PCE	E	
0120	7152168	Ball bushing	2	PCE	N	
0130	7155302	Actuator drive clamping lever	1	PCE	E	
0140	7155309	Housing	1	PCE	E	
0150	7155272	Housing	2	PCE	E	
0160	2143467	Hexagon socket head cap screw ISO4762-M5x20-A2-70	2	PCE	N	
0170	2143466	Hexagon socket head cap screw ISO4762-M5x16-A2-70	6	PCE	N	
0180	7186180	Seeger circlip JV19	3	PCE	N	
0190	7155337	Guide spindle	2	PCE	E	
0200	2143793	locking ring DIN 471-10x1-A2	1	PCE	N	
0210	2146452	Rolling bearing DIN 625-6000-2RS	1	PCE	N	



### 1.24.6.2

#### 7277555 Mounting plate ejection pin non-separated capsules FEC20 complete

Pos.	Part no.	Designation	Qty.	UQ	A	Page
0010	7268312	Mounting ejection pin non-separated-capsules FEC20	1	PCE	E	
0020	7271574	Insert bush	1	PCE	E	
0030	9119928	Parallel pin DIN7 - A1 - 3m6x6	1	PCE	N	
0040	7258260	Mounting sleeve d4	2	PCE	E	
0050	7175579	Adhesive	0.020		E	

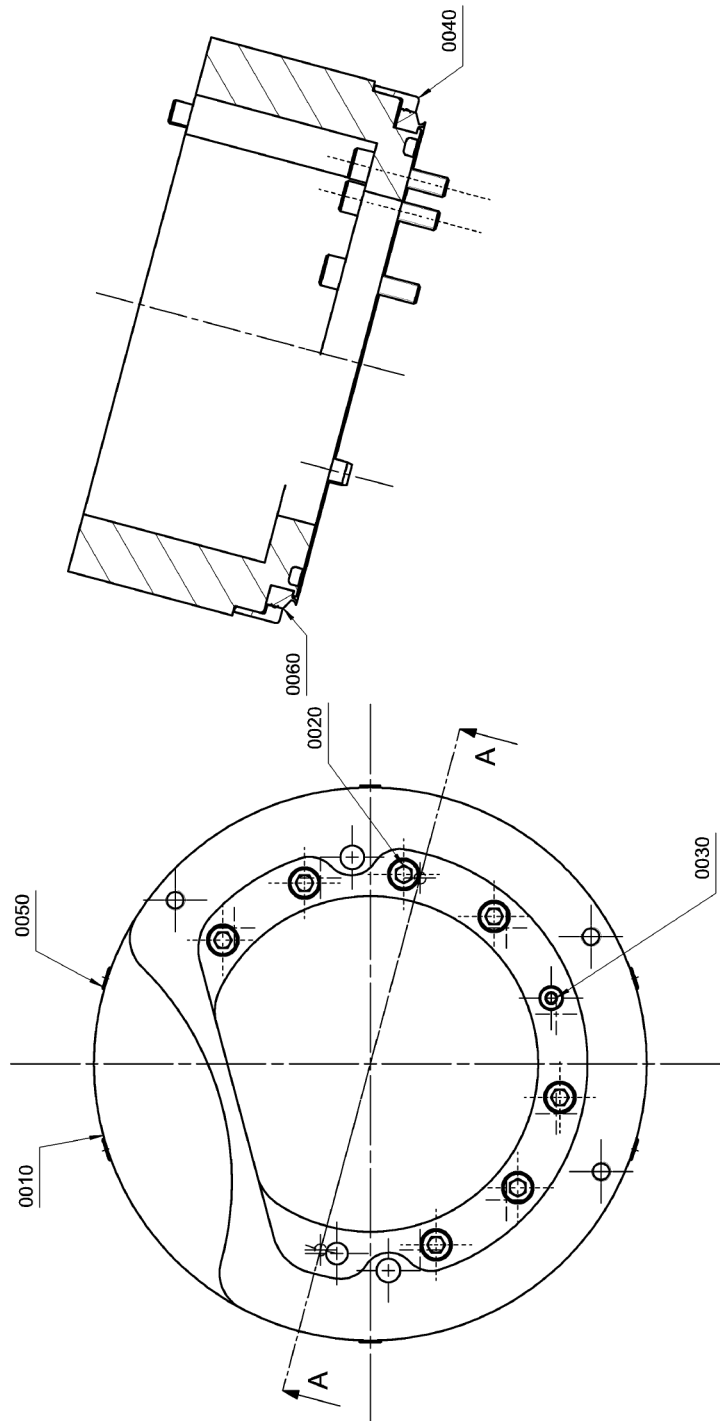


## 1.25

### 7270957 Mounting flange middle column complete FEC20

Pos.	Part no.	Designation	Qty.	UQ	A	Page
0010	7269342	Mounting flange middle column FEC20	1	PCE	E	
0020	2143497	Hexagon socket head cap screw ISO4762-M10x40-A2-70	8	PCE	N	
0030	7016120	Straight pin d12x30	4	PCE	E	
0040	7270928	jamming ring seal ring FEC20	2	PCE	E	
0050	2143566	Hexagon head bolt ISO4017-M6x12-A2-70	6	PCE	N	
0060	7270949	shaft seal ring middle column FEC20	1	PCE	E	





## 1.26

### 7271095 CFC function+ RFID complete FEC20

Pos.	Part no.	Designation	Qty.	UQ	A	Page
0010	7294119	E-parts CFC FEC20 Option 4.100 Capsule Flow Control	1	PCE	-	160
0020	2143461	Hexagon socket head cap screw ISO4762-M4x20-A2-70	4	PCE	N	
0030	7170214	Nozzle ASB function	1	PCE	E	
0040	7170372	RFID-Reader with RS485	1	PCE	E	
0050	7263131	Push-in fittings_QSM-M5-6-l	24	PCE	E	
0060	7170213	Nozzle ASB function inside row	1	PCE	E	
0070	7271081	Valve terminal CFC function FEC20	1	PCE	E	
0080	7268078	Fixing ledge terminal manifold	1	PCE	E	
0090	7268144	Fixing plate valve terminal	1	PCE	E	
0100	2143477	Hexagon socket head cap screw ISO4762-M6x20-A2-70	2	PCE	N	
0110	2143762	COUNTERSUNK SCREW DIN7991-M4X10-A2-70	3	PCE	N	



## 1.26.1

### 7294119 E-parts CFC FEC20 Option 4.100 Capsule Flow Control

Pos.	Part no.	Designation	Qty.	UQ	A	Page
0010	9185630	PU hose d = 8mm / 5mm blue 8bar	0.040	MTR	N	
0020	7218715	M12 EtherCAT Cable	1	PCE	E	
0030	9185630	PU hose d = 8mm / 5mm blue 8bar	0.250	MTR	N	
0040	3706507	PU-Hose blue, d=6mm/4mm, 8bar 20GrC	0.570	MTR	N	
0050	9150378	PU-Hose blue, d=12mm/8mm, 8bar 20°C	0.700	MTR	E	
0060	9185630	PU hose d = 8mm / 5mm blue 8bar	2	MTR	N	
0070	9185630	PU hose d = 8mm / 5mm blue 8bar	2	MTR	N	
0080	7103203	Sensor-/actuator-extension cable 2,0m PUR 5x0,25mm <sup>2</sup> with M12x1 plug and socket 5-pos.	1	PCE	E	
0090	3706507	PU-Hose blue, d=6mm/4mm, 8bar 20GrC	0.910	MTR	N	
0100	3706507	PU-Hose blue, d=6mm/4mm, 8bar 20GrC	0.560	MTR	N	
0110	3706507	PU-Hose blue, d=6mm/4mm, 8bar 20GrC	0.900	MTR	N	
0120	3706507	PU-Hose blue, d=6mm/4mm, 8bar 20GrC	0.550	MTR	N	
0130	3706507	PU-Hose blue, d=6mm/4mm, 8bar 20GrC	0.890	MTR	N	
0140	3706507	PU-Hose blue, d=6mm/4mm, 8bar 20GrC	0.540	MTR	N	
0150	3706507	PU-Hose blue, d=6mm/4mm, 8bar 20GrC	1.070	MTR	N	
0160	3706507	PU-Hose blue, d=6mm/4mm, 8bar 20GrC	0.850	MTR	N	
0170	3706507	PU-Hose blue, d=6mm/4mm, 8bar 20GrC	1.060	MTR	N	
0180	3706507	PU-Hose blue, d=6mm/4mm, 8bar 20GrC	0.840	MTR	N	
0190	3706507	PU-Hose blue, d=6mm/4mm, 8bar 20GrC	1.050	MTR	N	
0200	3706507	PU-Hose blue, d=6mm/4mm, 8bar 20GrC	0.880	MTR	N	
0210	3706507	PU-Hose blue, d=6mm/4mm, 8bar 20GrC	0.830	MTR	N	
0220	3706507	PU-Hose blue, d=6mm/4mm, 8bar 20GrC	1.040	MTR	N	
0230	3706507	PU-Hose blue, d=6mm/4mm, 8bar 20GrC	0.820	MTR	N	
0240	3706507	PU-Hose blue, d=6mm/4mm, 8bar 20GrC	1.030	MTR	N	
0250	3706507	PU-Hose blue, d=6mm/4mm, 8bar 20GrC	0.810	MTR	N	
0260	3706507	PU-Hose blue, d=6mm/4mm, 8bar 20GrC	1.020	MTR	N	
0270	3706507	PU-Hose blue, d=6mm/4mm, 8bar 20GrC	0.800	MTR	N	
0280	3706507	PU-Hose blue, d=6mm/4mm, 8bar 20GrC	0.930	MTR	N	
0290	3706507	PU-Hose blue, d=6mm/4mm, 8bar 20GrC	0.580	MTR	N	
0300	3706507	PU-Hose blue, d=6mm/4mm, 8bar 20GrC	0.920	MTR	N	
0310	3706507	PU-Hose blue, d=6mm/4mm, 8bar 20GrC	0.530	MTR	N	
0320	3706507	PU-Hose blue, d=6mm/4mm, 8bar 20GrC	2	MTR	N	
0330	3706507	PU-Hose blue, d=6mm/4mm, 8bar 20GrC	2	MTR	N	
0340	3769808	PU-Hose blue, d=4mm/2,5mm, 8bar 20°C	0.050	MTR	N	
0350	3769808	PU-Hose blue, d=4mm/2,5mm, 8bar 20°C	0.250	MTR	N	
0370	3713307	push-in T-connection QST-8	1	PCE	N	
0380	3700422	Y-PLUG-IN COUPLING QSY-6-4	1	PCE	N	
0390	7274514	push-in fitting	1	PCE	E	

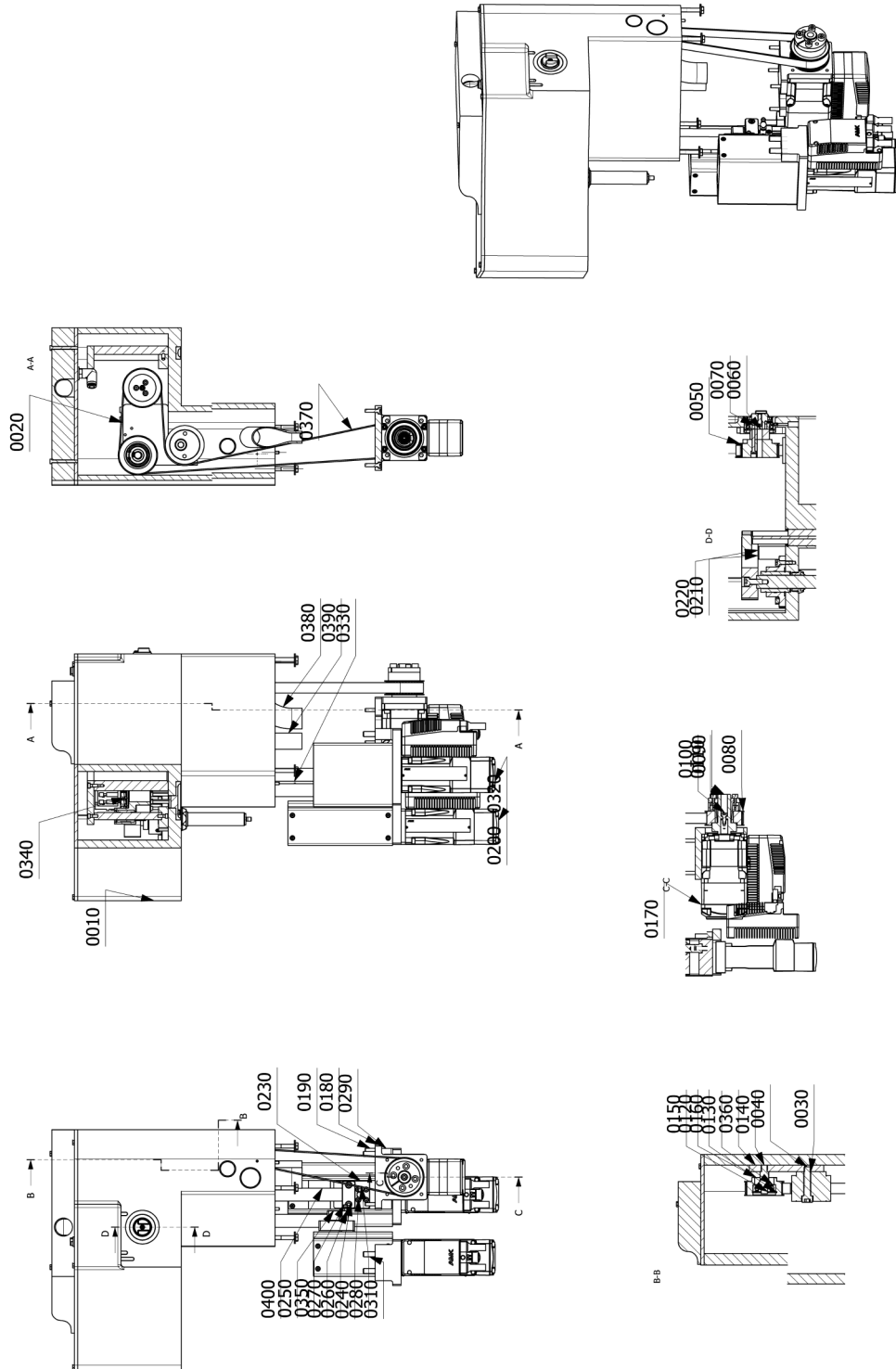
---

without figure

## 1.27

### 7272489 closing station FEC20

Pos.	Part no.	Designation	Qty.	UQ	A	Page
0010	7272301	Casing closing unit complete FEC20	1	PCE	E	166
0020	9136483	Hexagon socket head cap screw ISO4762-M5x80-A2-70	2	PCE	N	
0030	7168064	Tensioning roller with eccentric cam	1	PCE	N	
0040	2143498	Hexagon socket head cap screw ISO4762-M10x45-A2-70	1	PCE	N	
0050	7168060	Synchronizing disk	1	PCE	E	
0060	7168178	Belt drive spacer	1	PCE	E	
0070	3744707	Hexagon socket head cap screw ISO4762-M4x40-A2-70	3	PCE	N	
0080	7168297	Synchronizing disk	1	PCE	E	
0090	7168618	Coupling, ejection flap gear wheel	1	PCE	N	
0100	2143465	Hexagon socket head cap screw ISO4762-M5x12-A2-70	1	PCE	N	
0110	7168597	Clamping assembly 20x28	1	PCE	N	
0120	7168579	Synchronizing disk	1	PCE	E	
0130	7168626	Grooved ball bearing 6300 2RSR d10mm	1	PCE	N	
0140	7168562	Shaft bolt	1	PCE	N	
0150	2141581	locking ring DIN 471-10x1-St	1	PCE	N	
0160	2141560	Locking ring DIN472-35x1,5-St	1	PCE	N	
0170	7168282	servo motor ihXT4-1-10-U00 mit FU	1	PCE	E	
0180	7168246	Fixing bracket, ejection flap drive	1	PCE	E	
0190	2143467	Hexagon socket head cap screw ISO4762-M5x20-A2-70	8	PCE	N	
0200	7155353	SEZ3 0,5 16 drive with guide sorting fork	1	PCE	-	174
0210	9119928	Parallel pin DIN7 - A1 - 3m6x6	2	PCE	N	
0220	2141927	Hexagon socket head cap screw ISO4762-M8x18-A2-70	2	PCE	N	
0230	7155332	Clamping lever	2	PCE	E	
0240	2143460	Hexagon socket head cap screw ISO4762-M4x16-A2-70	10	PCE	N	
0250	7155271	Clamping element	2	PCE	E	
0260	2143466	Hexagon socket head cap screw ISO4762-M5x16-A2-70	4	PCE	N	
0270	7155330	Grease nipple fixing tube	2	PCE	E	
0280	7251044	Grease nipple DIN71412 B H3 M5x0.8 90deg	1	PCE	N	
0290	7168208	Fixing, drive, lower pins	2	PCE	E	
0300	2143483	Hexagon socket head cap screw ISO4762-M8x16-A2-70	4	PCE	N	
0310	2146077	Hexagon socket head cap screw ISO4762-M8x50-A2-70	4	PCE	N	
0320	7155458	SEZ3 0.5 10 with guide suction pad	1	PCE	-	176
0330	7162064	Lifting rod	1	PCE	E	
0340	7272495	bridge upper closing pins. FEC20	1	PCE	E	
0350	7171648	Grease nipple DIN 71412 H1 M5x0.8 straight	1	PCE	N	
0360	7343971	mounting plate idler pulley FEC20 (hd)	1	PCE	E	
0370	7168075	Toothed belt AT5	1	PCE	N	

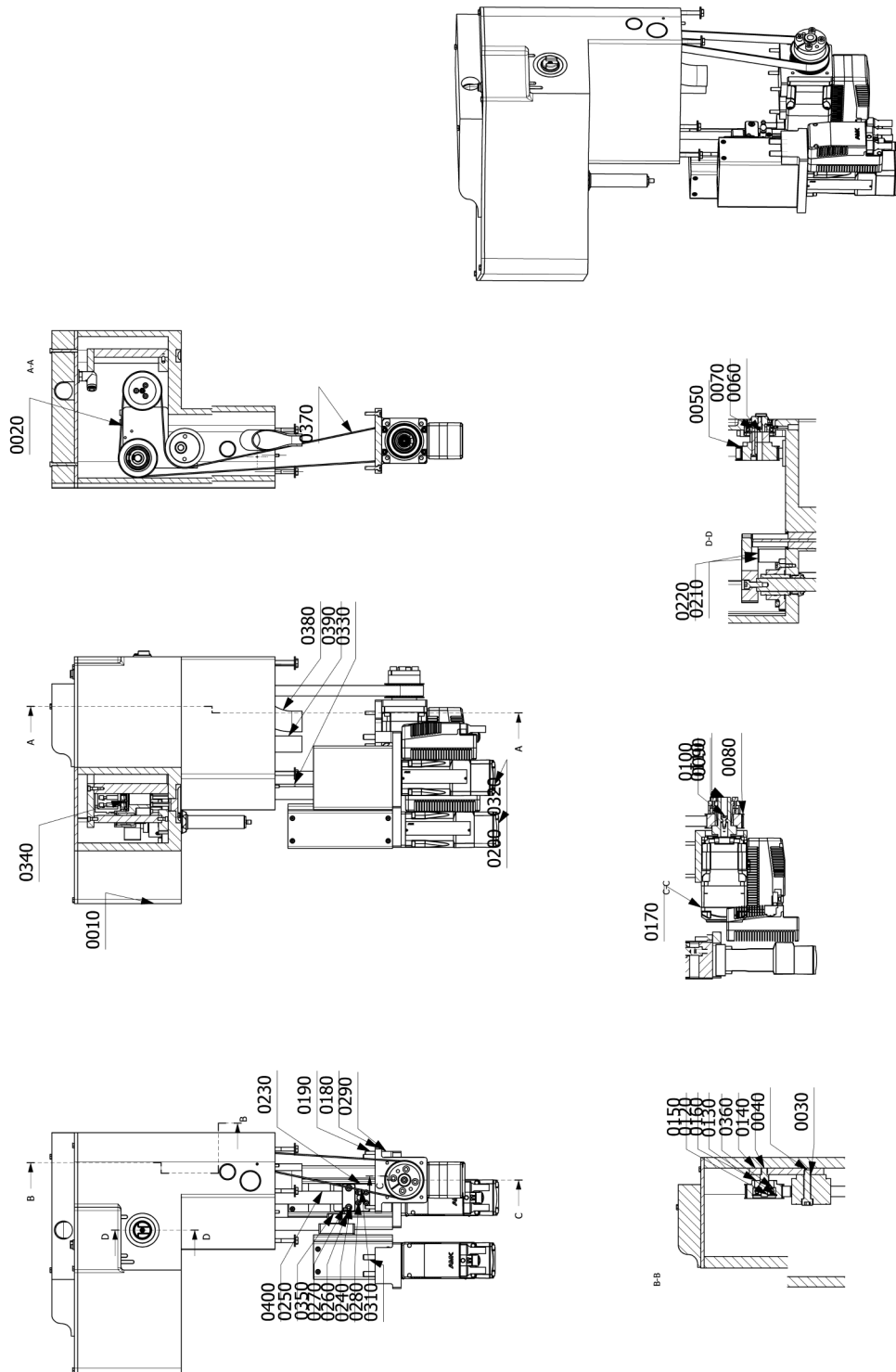


## 1.27

### 7272489 closing station FEC20

Pos.	Part no.	Designation	Qty.	UQ	A	Page
0380	7271499	pipe support D32x1,5mm closing station	1	PCE	E	
0390	7271491	pipe support D25x1,5mm closing station	1	PCE	E	
0400	7271512	lifting rod bottom closing unit	1	PCE	E	
0410	7175579	Adhesive	0.050		E	
0420	2153847	HELICAL WRAPPING TAPE, CLEAR	1	MTR	-	

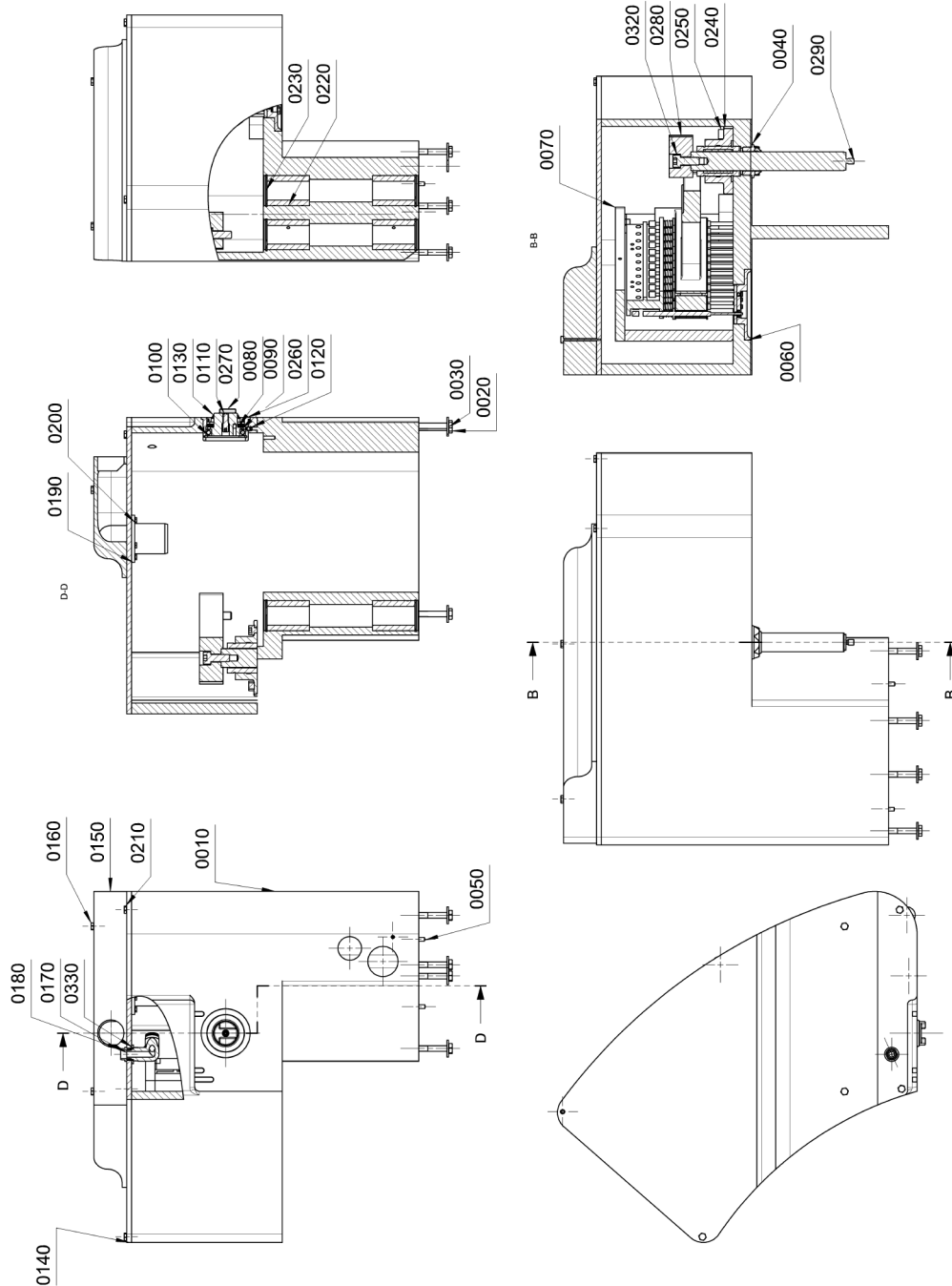




## 1.27.1

### 7272301 Casing closing unit complete FEC20

Pos.	Part no.	Designation	Qty.	UQ	A	Page
0010	7272251	Housing of the closing station FEC20	1	PCE	E	
0020	9116307	Hexagon head bolt ISO4014-M6x40-A2-70	4	PCE	N	
0030	7191134	Washer 6.4 VA DIN9021	4	PCE	E	
0040	7160276	Sleeve with scraper	1	PCE	-	168
0050	7067314	Straiht pin ISO 22338 - A - 4x14; Material: VA2		PCE	E	
0060	7167973	Scraper holder, upper closing pin	1	PCE	-	170
0070	7167964	Closing unit, top	1	PCE	-	172
0080	7160094	Ejection flap spacer	1	PCE	E	
0090	7160095	Radial grooved ball bearing	1	PCE	N	
0100	2141562	Locking ring DIN472-42x1,75-St	1	PCE	N	
0110	7160097	Pressure fitting, sprung M6x20	1	PCE	N	
0120	2142061	grub screw ISO4026-M4x6-45H-St	1	PCE	N	
0130	7160098	Shaft sealing ring	1	PCE	V	
0140	7272278	housing cover closing station FEC20	1	PCE	E	
0150	7268169	cover closing station movable FEC20	1	PCE	E	
0160	7092113	Hexagon head bolt ISO4017-M4x40-A2-70	2	PCE	N	
0170	7177328	L-push-in fitting QSL-G1/8-8	1	PCE	E	
0180	7237265	Plug-in connection, compressed air cleaning	1	PCE	E	
0190	7237279	Pipe transition, extraction unit ejection flap	1	PCE	E	
0200	2143555	HEXAGONAL SCREW DIN933-M3X8-A2-70	4	PCE	N	
0210	7027168	Hexagon head bolt ISO4017-M4x12-A2-70	4	PCE	E	
0220	7272295	Linear ball bearing_LBCR20A-2LS_HV6	4	PCE	N	
0230	7272287	circlip Seeger JV32	4	PCE	N	
0240	7171646	Linear ball bearing	1	PCE	N	
0250	2143477	Hexagon socket head cap screw ISO4762-M6x20-A2-70	4	PCE	N	
0260	7160093	Ejection flap bearing sleeve	1	PCE	E	
0270	7160096	Ejection flap suspension	1	PCE	E	
0280	7271525	guide block lower closing unit	1	PCE	E	
0290	7271486	lifting rod lower closing pin	1	PCE	E	
0300	9119928	Parallel pin DIN7 - A1 - 3m6x6	1	PCE	N	
0320	2143484	Hexagon socket head cap screw ISO4762-M8x20-A2-70	2	PCE	N	
0330	2143367	washer ISO7089-10-A2	1	PCE	N	

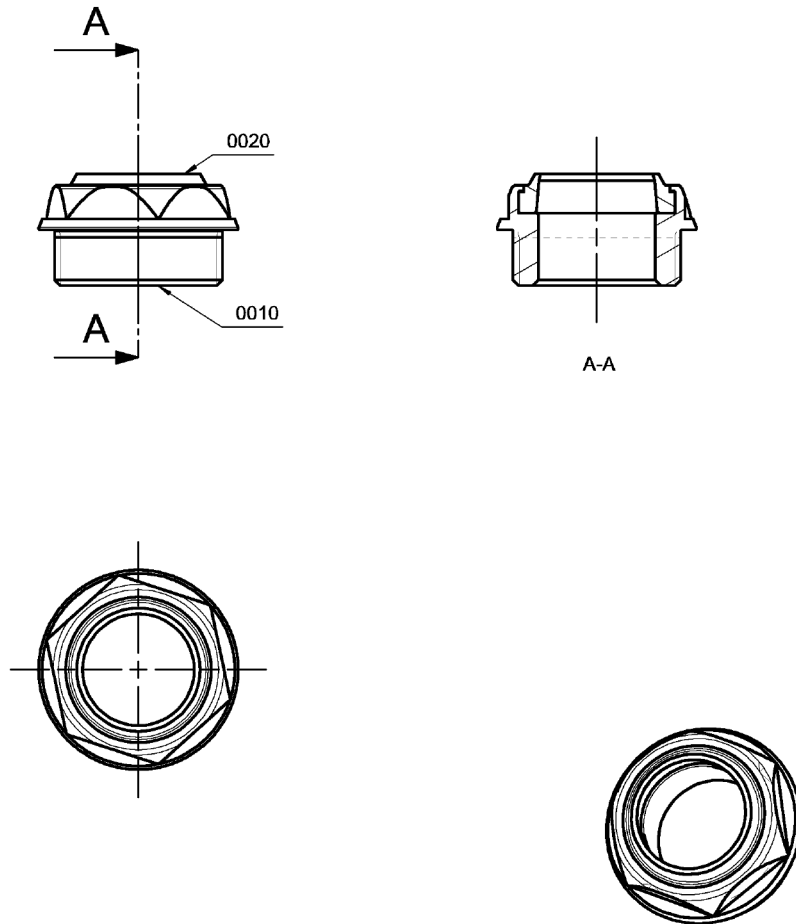


---

### 1.27.1.1

#### 7160276 Sleeve with scraper

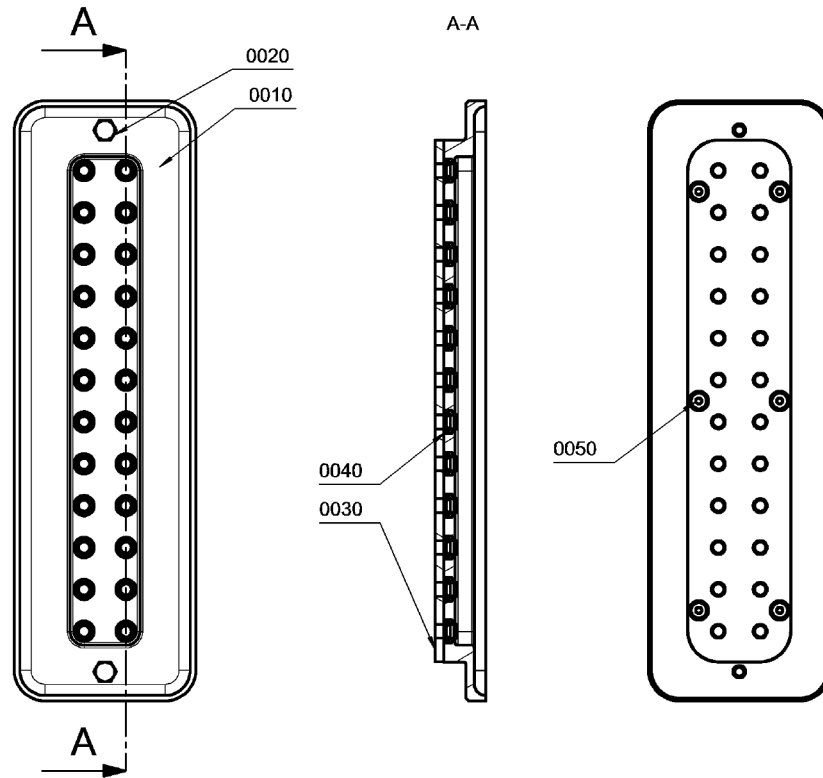
Pos.	Part no.	Designation	Qty.	UQ	A	Page
0010	7160274	Scraper mounting sleeve	1	PCE	E	
0020	7160275	Scraper	4	PCE	V	



## 1.27.1.2

### 7167973 Scraper holder, upper closing pin

Pos.	Part no.	Designation	Qty.	UQ	A	Page
0010	7167847	Scraper holder, upper closing pins	1	PCE	E	
0020	2143557	Hexagon head bolt ISO4017-M4x10-A2-70	2	PCE	N	
0030	7182115	Scraper holder clamping plate	1	PCE	E	
0040	7167972	Scraper 4x8.2x2.5	24	PCE	V	
0050	2143237	COUNTERSUNK SCREW DIN7991-M3X6-8.8	6	PCE	N	

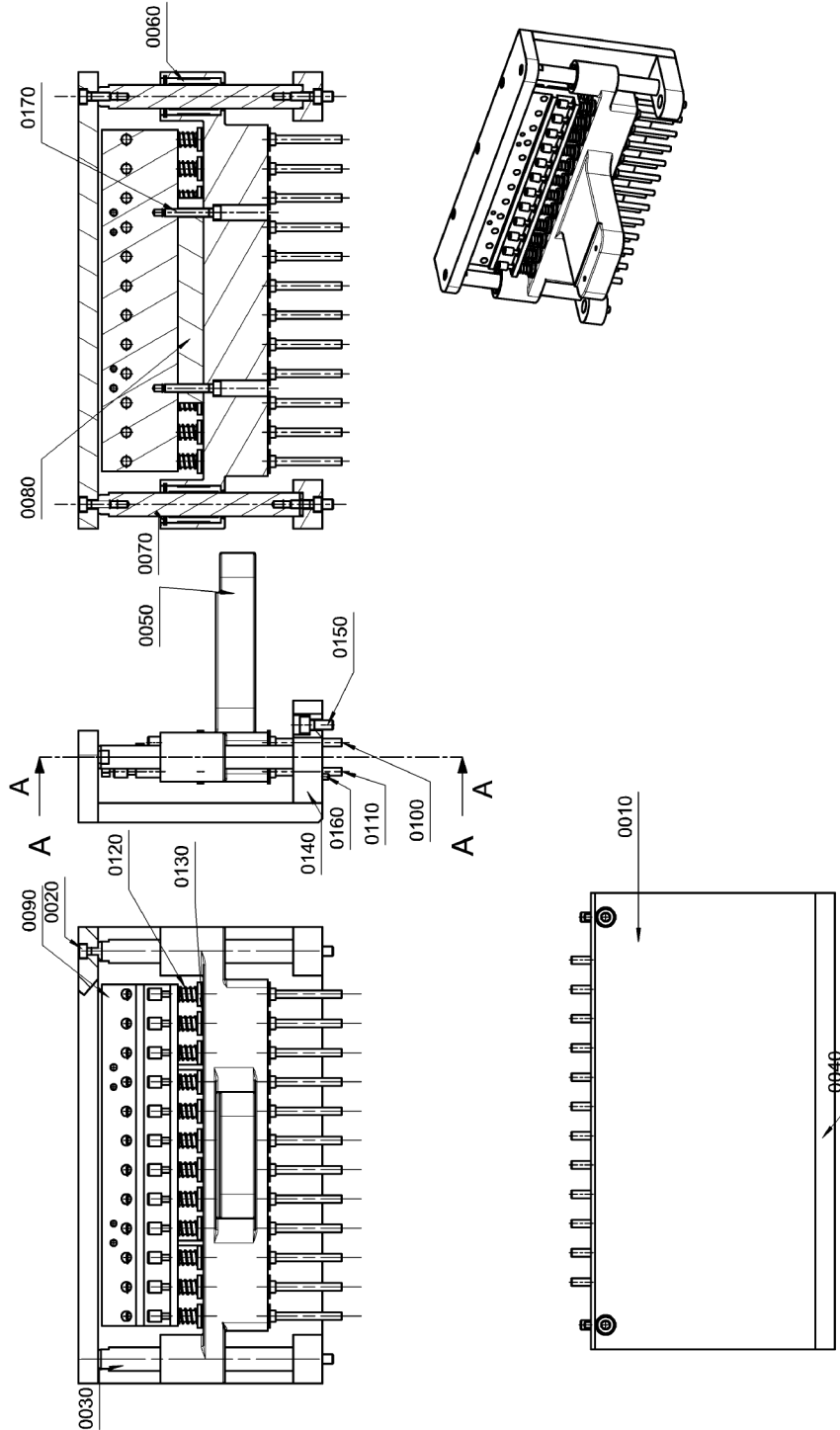


### 1.27.1.3

#### 7167964 Closing unit, top

Pos.	Part no.	Designation	Qty.	UQ	A	Page
0010	7161925	Mounting, linear guide, upper closing	1	PCE	E	
0020	2143459	Hexagon socket head cap screw ISO4762-M4x12-A2-70	7	PCE	N	
0030	7161941	Guide spindle, upper closing unit	2	PCE	E	
0040	7161957	Cover, linear guide, upper closing	1	PCE	E	
0050	7162022	Guide block, upper closing pins	1	PCE	E	
0060	7152168	Ball bushing	2	PCE	N	
0070	7186180	Seeger circlip JV19	2	PCE	N	
0080	7162029	Spacer rail, upper closing pins	1	PCE	E	
0090	7162040	Stop plate, upper closing pins	1	PCE	E	
0100	7167805	Upper closing pin	12	PCE	E	
0110	7167959	Closing pin, long, top	12	PCE	E	
0120	7167960	Compression spring	24	PCE	N	
0130	7162088	Plain bearing with collar, shape F	48	PCE	N	
0140	7167961	Fixing block, closing pin guide	2	PCE	E	
0150	2143465	Hexagon socket head cap screw ISO4762-M5x12-A2-70	4	PCE	N	
0160	9119928	Parallel pin DIN7 - A1 - 3m6x6	6	PCE	N	
0170	2143462	Hexagon socket head cap screw ISO4762-M4x25-A2-70	2	PCE	N	

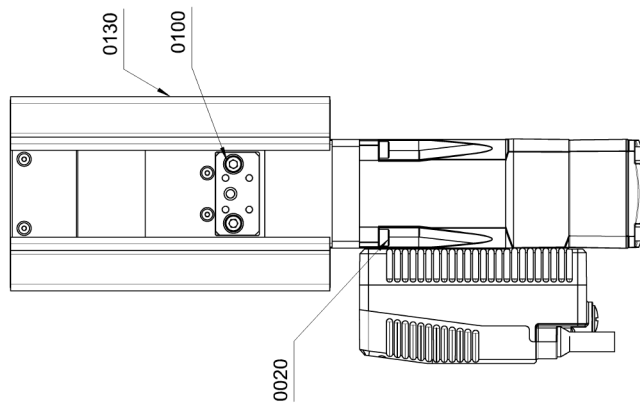
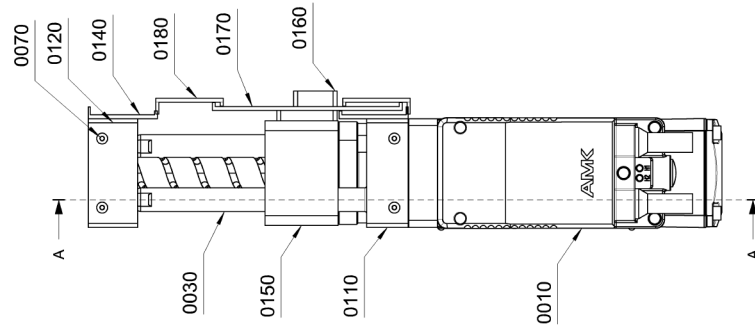
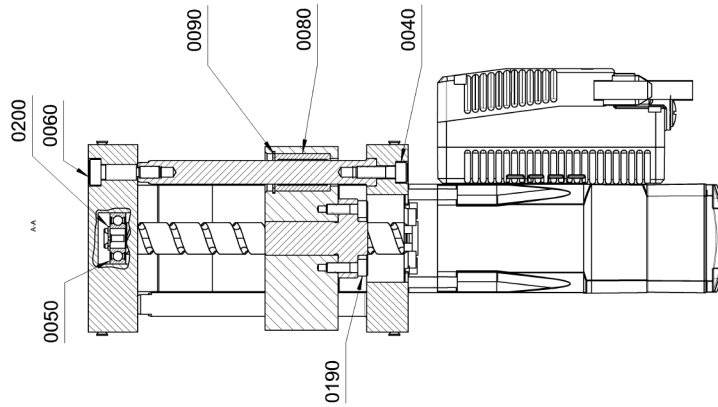
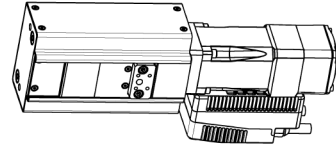




## 1.27.2

### 7155353 SEZ3 0,5 16 drive with guide sorting fork

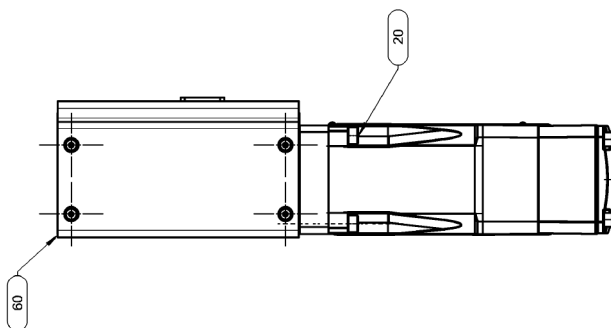
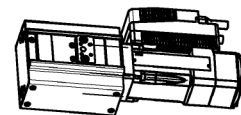
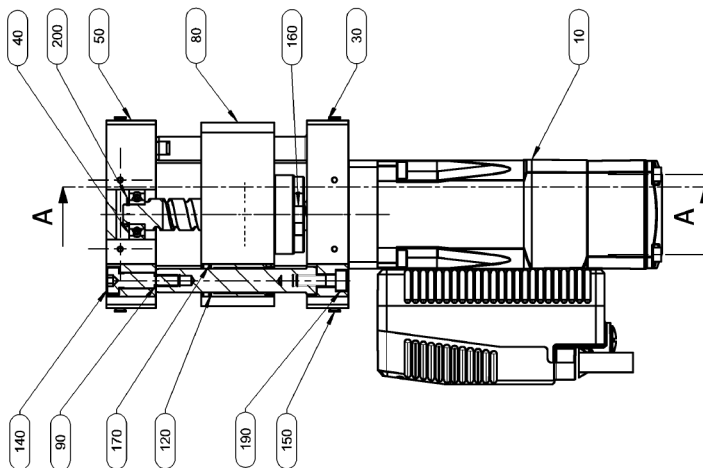
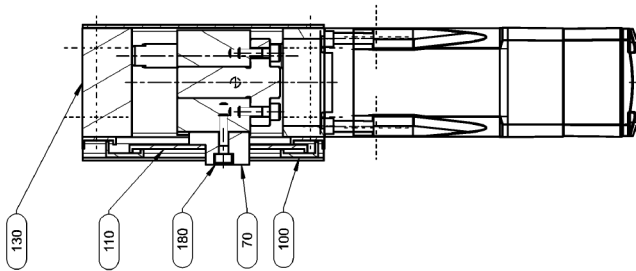
Pos.	Part no.	Designation	Qty.	UQ	A	Page
0010	7155351	Spindle motor SEZ3 0.5 Nm with 10 mm pitch and integrated controller ihXT	1	PCE	E	
0020	2143470	Hexagon socket head cap screw ISO4762-M5x35-A2-70	4	PCE	N	
0030	7155337	Guide spindle	2	PCE	E	
0040	2143477	Hexagon socket head cap screw ISO4762-M6x20-A2-70	2	PCE	N	
0050	2146452	Rolling bearing DIN 625-6000-2RS	1	PCE	N	
0060	7274262	MISUMI Europa GmbH adjusting screw GDSMSB8-18-F12-M6	2	PCE	N	
0070	2143237	COUNTERSUNK SCREW DIN7991-M3X6-8.8	14	PCE	N	
0080	7152168	Ball bushing	2	PCE	N	
0090	7186180	Seeger circlip JV19	2	PCE	N	
0100	2143467	Hexagon socket head cap screw ISO4762-M5x20-A2-70	2	PCE	N	
0110	7155321	Guide block	1	PCE	E	
0120	7155313	Guide block	1	PCE	E	
0130	7155335	Housing	1	PCE	E	
0140	7155323	Housing	2	PCE	E	
0150	7154412	Actuator drive guide carriage	1	PCE	E	
0160	7155302	Actuator drive clamping lever	1	PCE	E	
0170	7155309	Housing	1	PCE	E	
0180	7155272	Housing	2	PCE	E	
0190	2143466	Hexagon socket head cap screw ISO4762-M5x16-A2-70	6	PCE	N	
0200	2141581	locking ring DIN 471-10x1-St	1	PCE	N	



### 1.27.3

#### 7155458 SEZ3 0.5 10 with guide suction pad

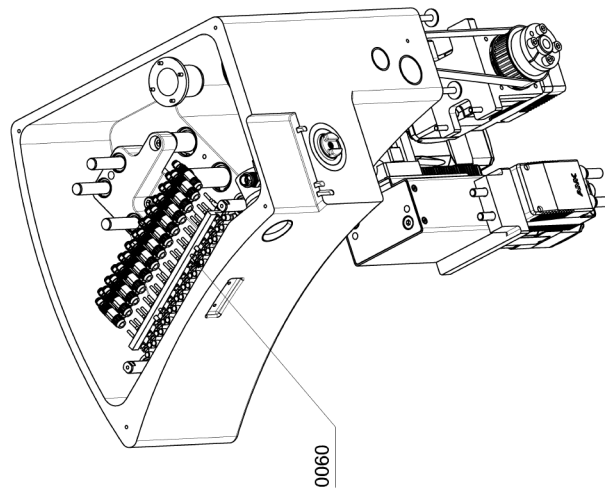
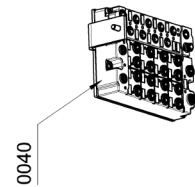
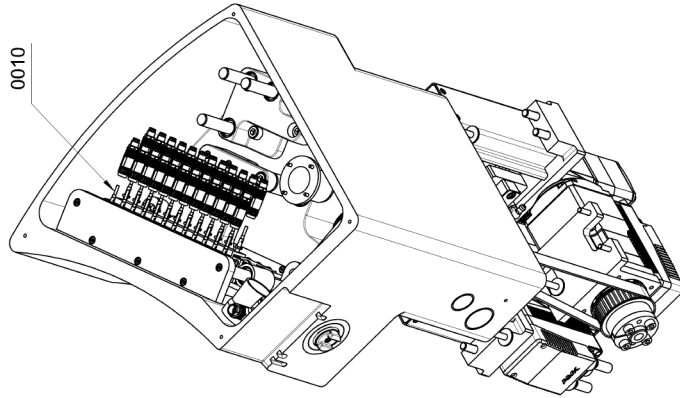
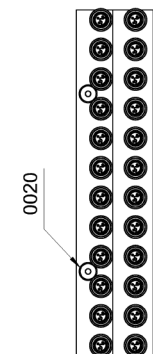
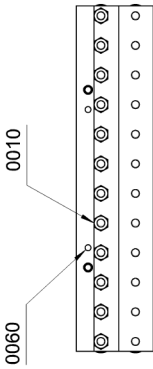
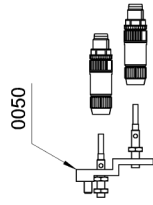
Pos.	Part no.	Designation	Qty.	UQ	A	Page
0010	7155456	Spindle motor SEZ3 0.5 Nm with 10 mm pitch and integrated controller ihXT	1	PCE	E	
0020	2143470	Hexagon socket head cap screw ISO4762-M5x35-A2-70	4	PCE	N	
0030	7155321	Guide block	1	PCE	E	
0040	2146452	Rolling bearing DIN 625-6000-2RS	1	PCE	N	
0050	7155313	Guide block	1	PCE	E	
0060	7155411	Housing	1	PCE	E	
0070	7155302	Actuator drive clamping lever	1	PCE	E	
0080	7154412	Actuator drive guide carriage	1	PCE	E	
0090	7169381	Guide spindle	2	PCE	E	
0100	7155442	Housing movable small SEZ3 10	2	PCE	E	
0110	7155443	Housing movable big SEZ3 10	1	PCE	E	
0120	7152168	Ball bushing	2	PCE	N	
0130	7155428	Housing	2	PCE	E	
0140	7274262	MISUMI Europa GmbH adjusting screw GDSMSB8-18-F12-M6	2	PCE	N	
0150	2143237	COUNTERSUNK SCREW DIN7991-M3X6-8.8	14	PCE	N	
0160	2143466	Hexagon socket head cap screw ISO4762-M5x16-A2-70	6	PCE	N	
0170	7186180	Seeger circlip JV19	2	PCE	N	
0180	2143467	Hexagon socket head cap screw ISO4762-M5x20-A2-70	2	PCE	N	
0190	2143477	Hexagon socket head cap screw ISO4762-M6x20-A2-70	2	PCE	N	
0200	2141581	locking ring DIN 471-10x1-St	1	PCE	N	



## 1.28

### 7168235 Option: closing pin check YES

Pos.	Part no.	Designation	Qty.	UQ	A	Page
0010	7222288	Sensor, inductive M4x0.5 1400 mm inclusive plug	24	PCE	E	180
0030	7243094	Electrical parts, CCC - Capsule Closing Control - optional	1	PCE	E	182
0040	7221643	Closing stroke check IO modules	1	PCE	E	184
0050	7162155	Fixing plate, INIS closing station	1	PCE	E	
0060	9119928	Parallel pin DIN7 - A1 - 3m6x6	2	PCE	N	



## 1.28.1

### 722288 Sensor, inductive M4x0.5 1400 mm inclusive plug

Pos.	Part no.	Designation	Qty.	UQ	A	Page
0010	7172732	Proximity switch inductiv	24	PCE	E	
0030	7201078	Connector, male, straight, 3-pos, M8 x1, cable 2.5 - 5.1mm Cross-sectional area 0.14 - 0.34 mm <sup>2</sup>	24	PCE	E	



---

without figure

## 1.28.2

### 7243094 Electrical parts, CCC - Capsule Closing Control - optional

Pos.	Part no.	Designation	Qty.	UQ	A	Page
0010	7177879	EtherCAT cable M8	2	PCE	E	
0020	7179485	M8 Extension cable	2	PCE	E	

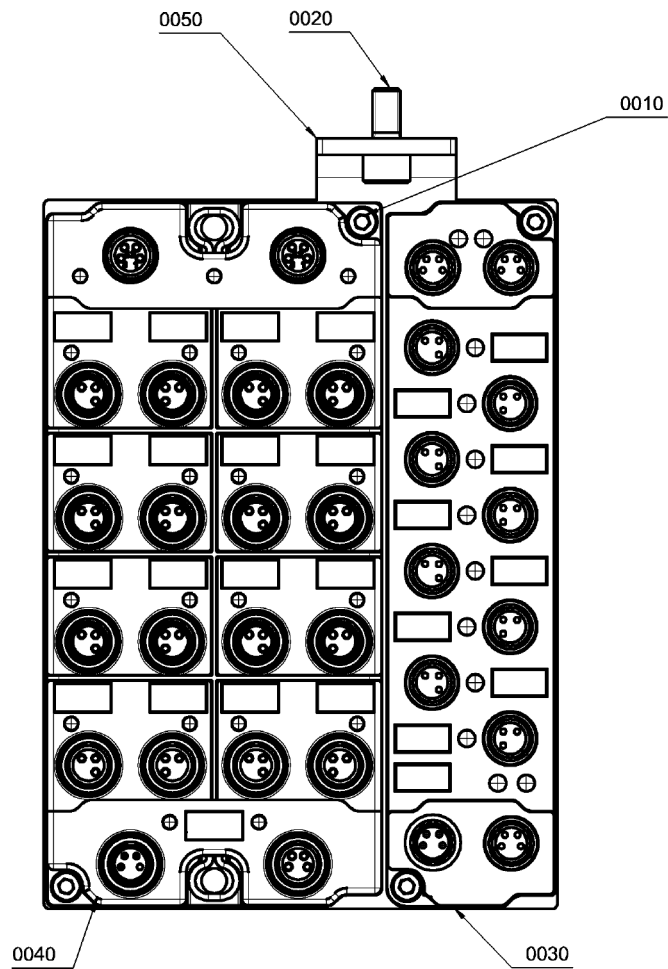
---

without figure

### 1.28.3

#### 7221643 Closing stroke check IO modules

Pos.	Part no.	Designation	Qty.	UQ	A	Page
0010	2143452	Hexagon socket head cap screw ISO4762-M3x16-A2-70	4	PCE	N	
0020	2143465	Hexagon socket head cap screw ISO4762-M5x12-A2-70	1	PCE	N	
0030	7158757	Digital Input Module EP 1008-0001, 8x In , 3ms, IP67	1	PCE	E	
0040	7158987	Digital Input Module EP 1809-0021, 8x In , 3ms, IP67	1	PCE	E	
0050	7167874	Fixing plate t=3mm for IO modules	1	PCE	E	



## 1.29

### 7272992 ejection flap cpl. FEC20

Pos.	Part no.	Designation	Qty.	UQ	A	Page
0010	7272991	support housing ejection flap FEC20	1	PCE	E	
0020	7160093	Ejection flap bearing sleeve	1	PCE	E	
0030	7160094	Ejection flap spacer	1	PCE	E	
0040	7160095	Radial grooved ball bearing	1	PCE	N	
0050	2141562	Locking ring DIN472-42x1,75-St	1	PCE	N	
0060	7160096	Ejection flap suspension	1	PCE	E	
0070	7160097	Pressure fitting, sprung M6x20	1	PCE	N	
0080	2142061	grub screw ISO4026-M4x6-45H-St	1	PCE	N	
0090	7067314	Straiht pin ISO 22338 - A - 4x14; Material: VA2		PCE	E	
0100	7160098	Shaft sealing ring	1	PCE	V	
0110	2143481	Hexagon socket head cap screw ISO4762-M6x40-A2-70	2	PCE	N	
0120	7235991	Ejection station extraction unit and cleaning	1	PCE	E	
0130	2143564	Hexagon head bolt ISO4017-M6x8-A2-70	2	PCE	N	
0140	2238033	COUNTERSUNK SCREW DIN7991-M6X8-A2-70	1	PCE	N	
0150	7235938	Cleaning nozzle, outer	1	PCE	E	
0160	7274910	cleaning nozzle inside FEC20	1	PCE	E	
0170	3716607	Hexagon head bolt ISO4017-M3x12-A2-70	2	PCE	N	
0180	3700380	Hexagon head bolt ISO4017-M4x25-A4-70	2	PCE	N	
0190	7272893	extraction segment holder cpl. FEC20	1	PCE	E	188
0200	7235983	Ejection flap including cleaning holes	1	PCE	E	

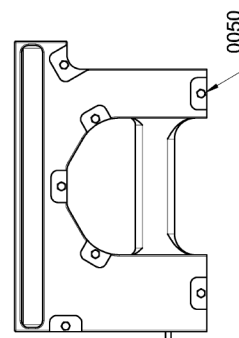
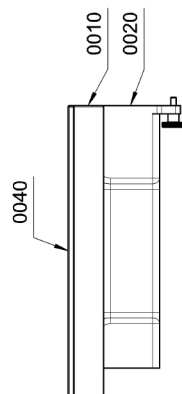
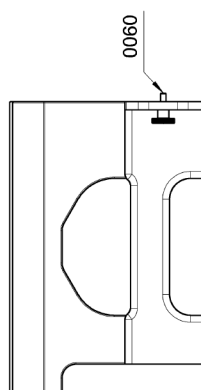
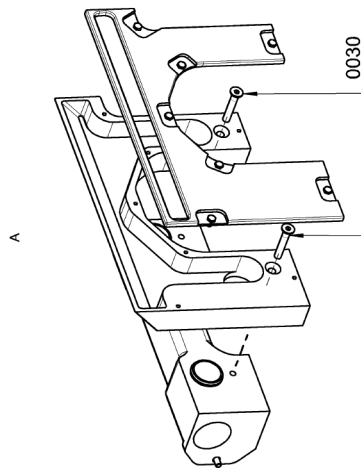


## 1.29.1

### 7272893 extraction segment holder cpl. FEC20

Pos.	Part no.	Designation	Qty.	UQ	A	Page
0010	7272892	extraction nozzle segment holder FEC20	1	PCE	E	
0020	7272891	extraction channel segment holder FEC20	1	PCE	E	
0030	2143774	SCREW M5X30 S.S.	2	PCE	N	
0040	7236998	segment holder extraction nozzle cover	1	PCE	E	
0050	7198237	Hexagon head bolt ISO4017-M3x6-A4-70	7	PCE	N	
0060	2143400	Knurled thumb screw DIN464-M4x12-A2	1	PCE	N	

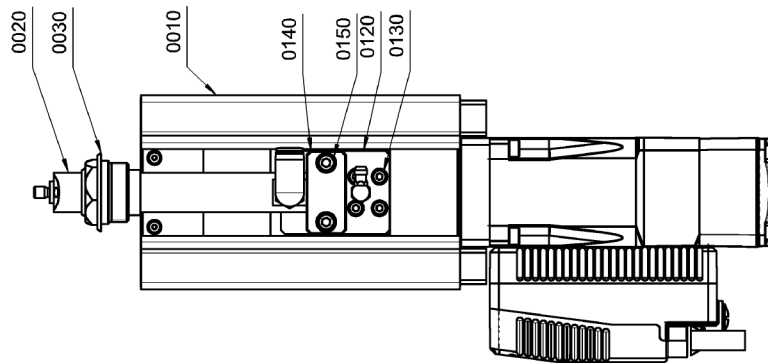
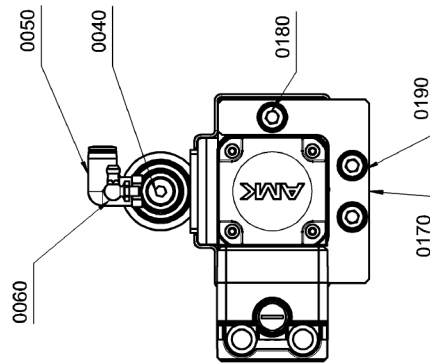
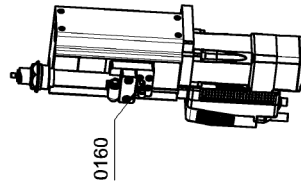




### 1.30

#### 7161257 Ejection pins and drive

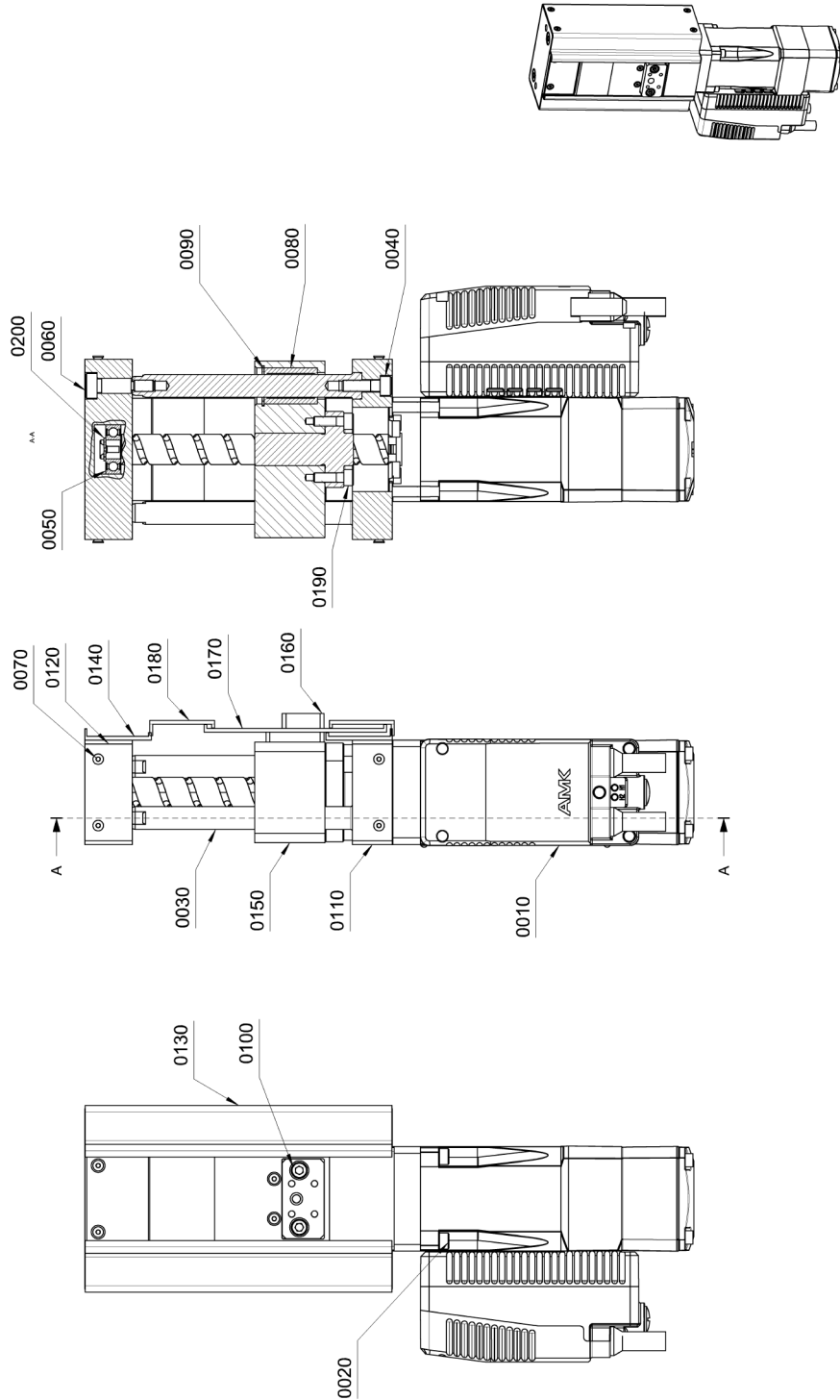
Pos.	Part no.	Designation	Qty.	UQ	A	Page
0010	7155353	SEZ3 0,5 16 drive with guide sorting fork	1	PCE	-	192
0020	7277955	Lifting rod ejector pins	1	PCE	E	
0030	7217497	Adjusting sleeve with scraper	1	PCE	E	194
0040	7160415	Closure, lifting rod	1	PCE	-	196
0050	7177328	L-push-in fitting QSL-G1/8-8	1	PCE	E	
0060	7251044	Grease nipple DIN71412 B H3 M5x0.8 90deg	1	PCE	N	
0120	7155332	Clamping lever	1	PCE	E	
0130	2143460	Hexagon socket head cap screw ISO4762-M4x16-A2-70	4	PCE	N	
0140	7155271	Clamping element	1	PCE	E	
0150	2143466	Hexagon socket head cap screw ISO4762-M5x16-A2-70	2	PCE	N	
0160	7155330	Grease nipple fixing tube	1	PCE	E	
0170	7168209	Fixing bracket	1	PCE	E	
0180	2143483	Hexagon socket head cap screw ISO4762-M8x16-A2-70	2	PCE	N	
0190	2146077	Hexagon socket head cap screw ISO4762-M8x50-A2-70	2	PCE	N	



### 1.30.1

#### 7155353 SEZ3 0,5 16 drive with guide sorting fork

Pos.	Part no.	Designation	Qty.	UQ	A	Page
0010	7155351	Spindle motor SEZ3 0.5 Nm with 10 mm pitch and integrated controller ihXT	1	PCE	E	
0020	2143470	Hexagon socket head cap screw ISO4762-M5x35-A2-70	4	PCE	N	
0030	7155337	Guide spindle	2	PCE	E	
0040	2143477	Hexagon socket head cap screw ISO4762-M6x20-A2-70	2	PCE	N	
0050	2146452	Rolling bearing DIN 625-6000-2RS	1	PCE	N	
0060	7274262	MISUMI Europa GmbH adjusting screw GDSMSB8-18-F12-M6	2	PCE	N	
0070	2143237	COUNTERSUNK SCREW DIN7991-M3X6-8.8	14	PCE	N	
0080	7152168	Ball bushing	2	PCE	N	
0090	7186180	Seeger circlip JV19	2	PCE	N	
0100	2143467	Hexagon socket head cap screw ISO4762-M5x20-A2-70	2	PCE	N	
0110	7155321	Guide block	1	PCE	E	
0120	7155313	Guide block	1	PCE	E	
0130	7155335	Housing	1	PCE	E	
0140	7155323	Housing	2	PCE	E	
0150	7154412	Actuator drive guide carriage	1	PCE	E	
0160	7155302	Actuator drive clamping lever	1	PCE	E	
0170	7155309	Housing	1	PCE	E	
0180	7155272	Housing	2	PCE	E	
0190	2143466	Hexagon socket head cap screw ISO4762-M5x16-A2-70	6	PCE	N	
0200	2141581	locking ring DIN 471-10x1-St	1	PCE	N	

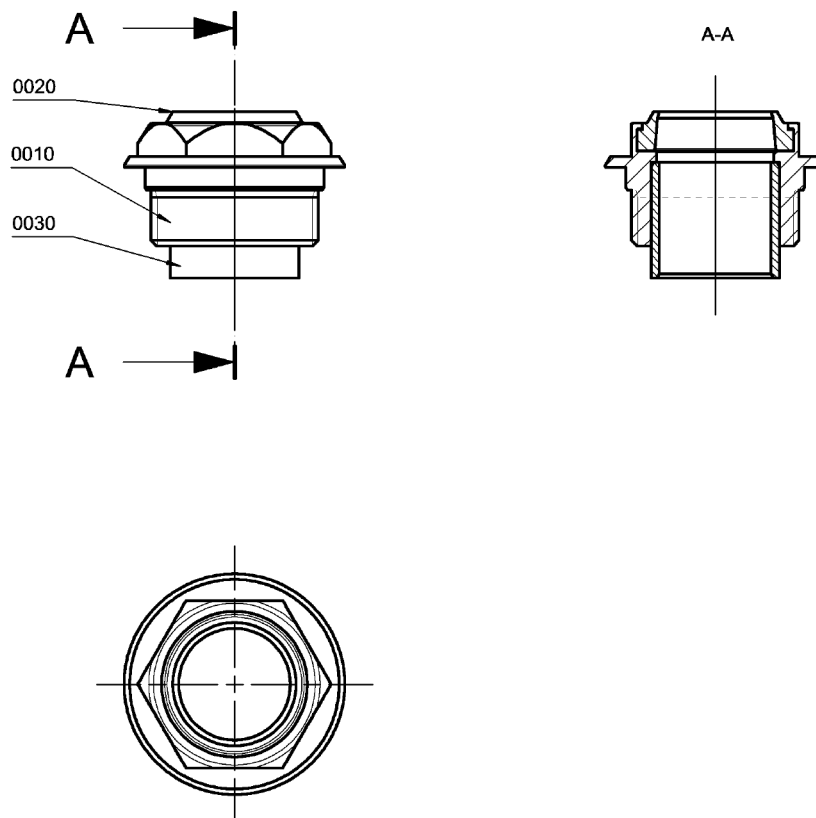


---

### 1.30.2

#### 7217497 Adjusting sleeve with scraper

Pos.	Part no.	Designation	Qty.	UQ	A	Page
0010	7212103	Mounting sleeve, scraper and guide	1	PCE	E	
0020	7160275	Scraper	1	PCE	V	
0030	7212241	Slide bush d20_D23_B20	1	PCE	E	

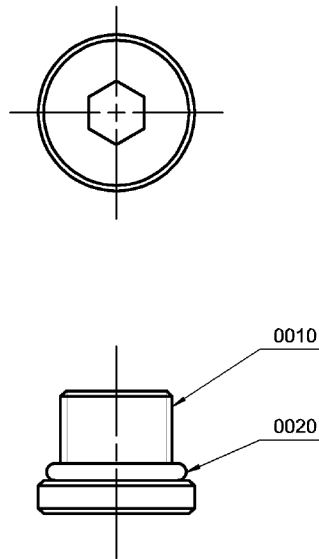


### 1.30.3

#### 7160415 Closure, lifting rod

Pos.	Part no.	Designation	Qty.	UQ	A	Page
0010	7160406	Closing screw	1	PCE	N	
0020	7160412	O-ring	1	PCE	N	

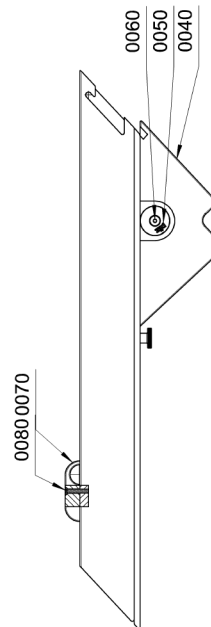
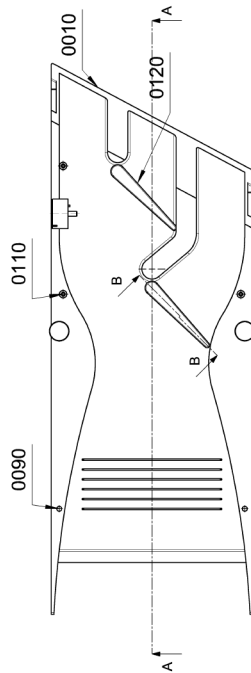
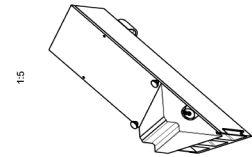
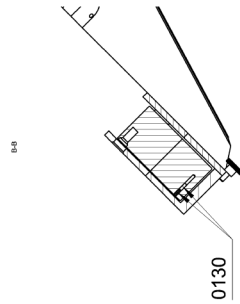
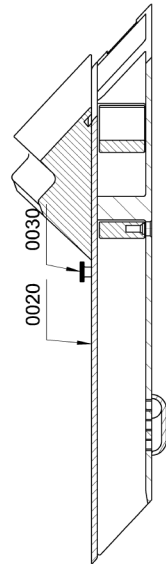




### 1.31

#### 7272734 discharge chute cpl. FEC20

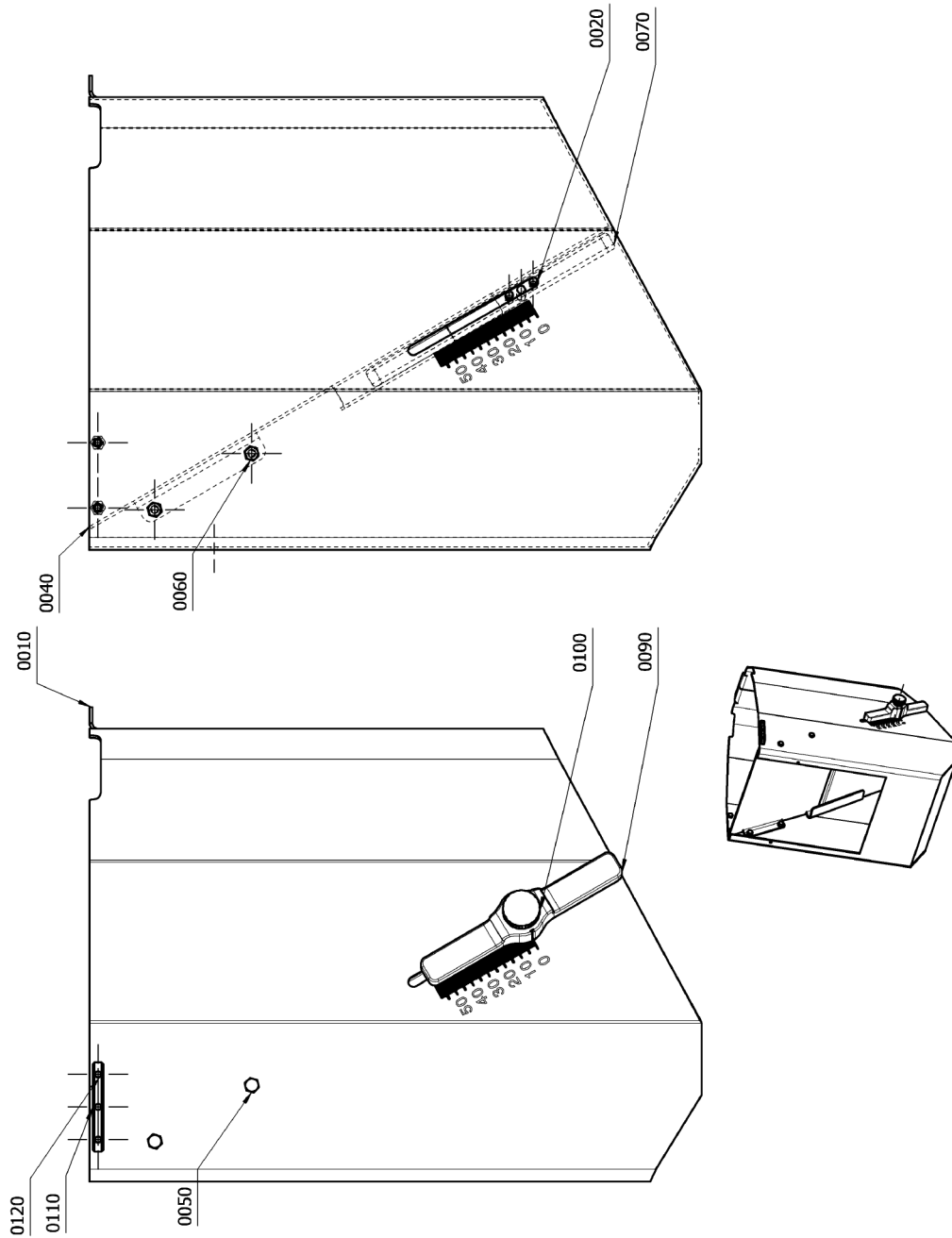
Pos.	Part no.	Designation	Qty.	UQ	A	Page
0010	7261082	discharge channel FEC20	1	PCE	E	
0020	7272733	cover discharge channel FEC20	1	PCE	E	
0030	2143404	Knurled thumb screw DIN464-M5x10-A2	2	PCE	N	
0040	7272732	cover betw. chute and table top FEC20	1	PCE	E	
0050	7168766	CODED MAGNET PSEN 1.2-20	1	PCE	E	
0060	7179417	Countersunk screw IS V2A M5x25	1	PCE	N	
0070	7168706	discharge chute extraction rail	1	PCE	E	
0080	2143766	COUNTERSUNK SCREW DIN7991-M4X25-A2-70	2	PCE	N	
0090	7166102	HSH SCREW, TOL. SMALL M6 MATERIAL: RUST & ACID-RESISTANT STEEL DIM.: 5 M6X 12-DISO22338-NIRO	2	PCE	N	
0110	2143763	COUNTERSUNK SCREW DIN7991-M4X12-A2-70	3	PCE	N	
0120	7165284	discharge gate	2	PCE	E	
0130	7266403	Bar magnet 3x8mm Neodym N45	4	PCE	E	



## 1.32

### 7235943 Filling cone row 1, complete

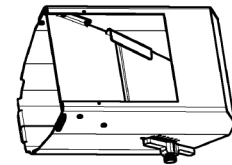
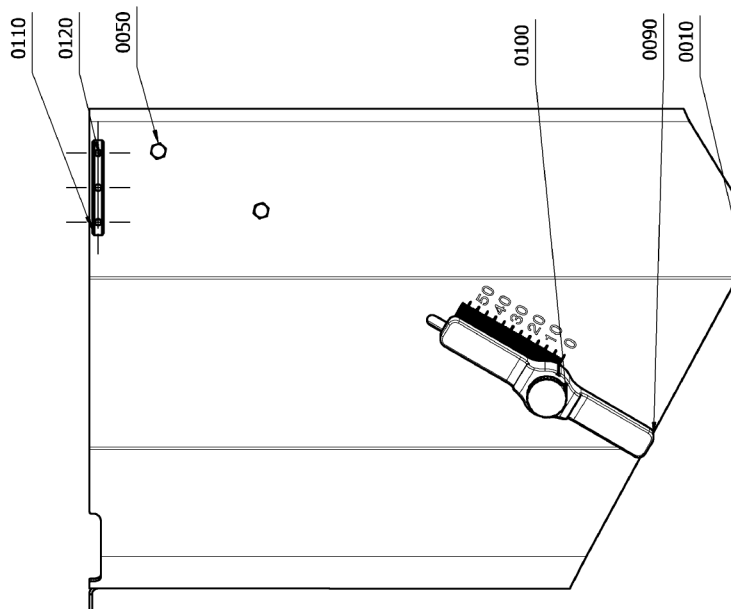
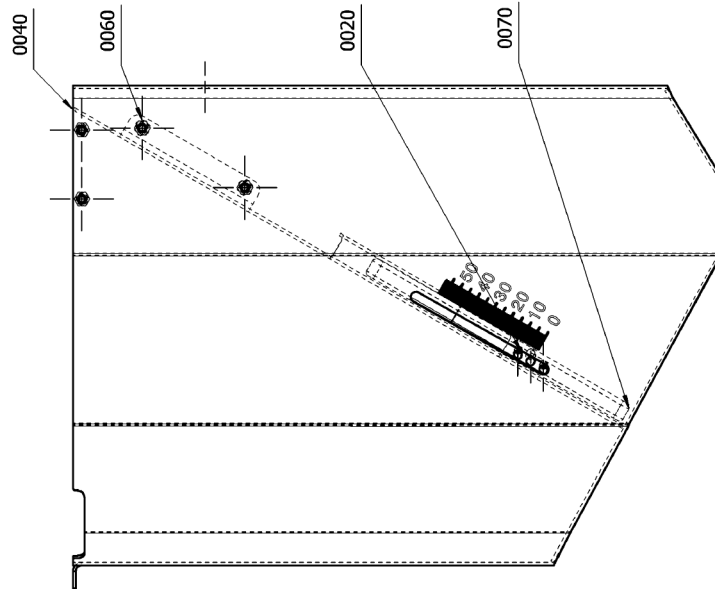
Pos.	Part no.	Designation	Qty.	UQ	A	Page
0010	7235850	Capsule hopper row 2 welding part	1	PCE	E	
0020	7158697	Dowel pin ISO 22338- A- 4x12 VA	2	PCE	N	
0040	7235895	Fixed separating plate, capsule bed height, row 1	1	PCE	E	
0050	7197641	Hexagon head screw ISO 4017 M4x6 - A4	4	PCE	N	
0060	9098904	cap nut DIN917-M4-A2-70	4	PCE	N	
0070	7235833	Capsule bed height separating plate, movable	1	PCE	E	
0090	7235840	Capsule bed height adjusting lever	1	PCE	E	
0100	7071197	knurled screw M5x35	1	PCE	E	
0110	7235934	Rail for filling cone	2	PCE	E	
0120	2143556	Hexagon head bolt ISO4017-M4x8-A2-70	4	PCE	N	



### 1.33

#### 7235945 Filling cone row 2, complete

Pos.	Part no.	Designation	Qty.	UQ	A	Page
0010	7235853	Capsule hopper row 2 welding	1	PCE	E	
0020	7158697	Dowel pin ISO 22338- A- 4x12 VA	2	PCE	N	
0040	7235892	Fixed separating plate, capsule bed height, row 2	1	PCE	E	
0050	7197641	Hexagon head screw ISO 4017 M4x6 - A4	4	PCE	N	
0060	9098904	cap nut DIN917-M4-A2-70	4	PCE	N	
0070	7235833	Capsule bed height separating plate, movable	1	PCE	E	
0090	7235840	Capsule bed height adjusting lever	1	PCE	E	
0100	7071197	knurled screw M5x35	1	PCE	E	
0110	7235934	Rail for filling cone	2	PCE	E	
0120	2143556	Hexagon head bolt ISO4017-M4x8-A2-70	4	PCE	N	

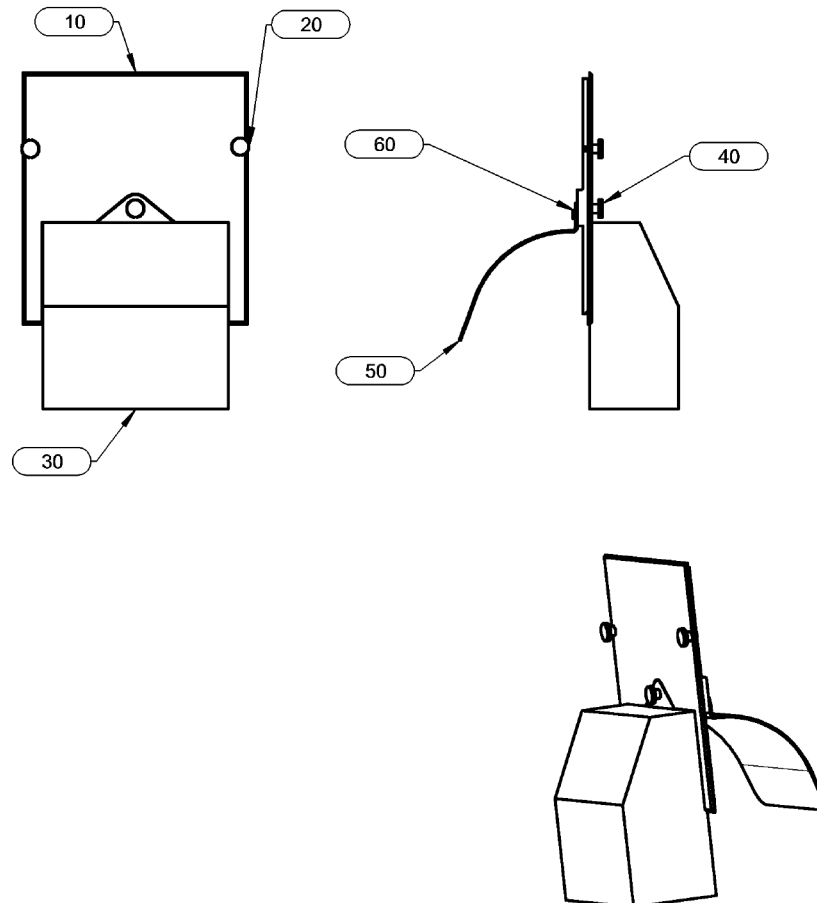


## 1.34

### 7235988 Filling cone peripherals for CFC

Pos.	Part no.	Designation	Qty.	UQ	A	Page
0010	7235829	CFC filling cone inspection window	2	PCE	E	
0020	2143397	Knurled thumb screw DIN464-M4x6-A2	4	PCE	N	
0030	7235986	CFC collecting container	2	PCE	E	
0040	2143400	Knurled thumb screw DIN464-M4x12-A2	2	PCE	N	
0050	7235828	CFC capsule guide	2	PCE	E	
0060	7003952	Hexagon head bolt ISO4017-M4x8-A4-70	4	PCE	E	





### 1.35 7275641 basic machine cover FEC20

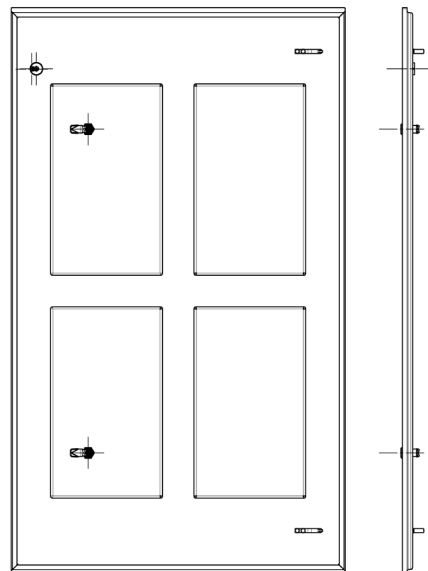
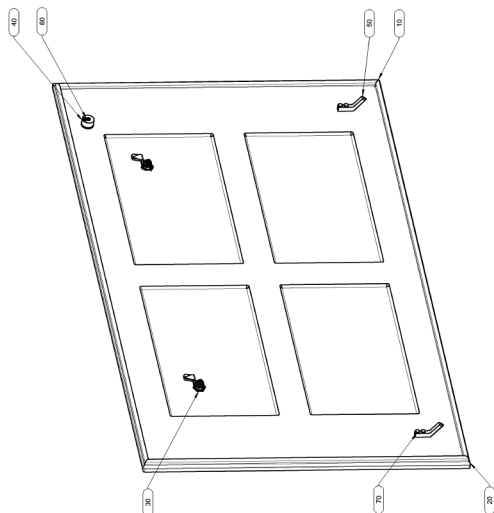
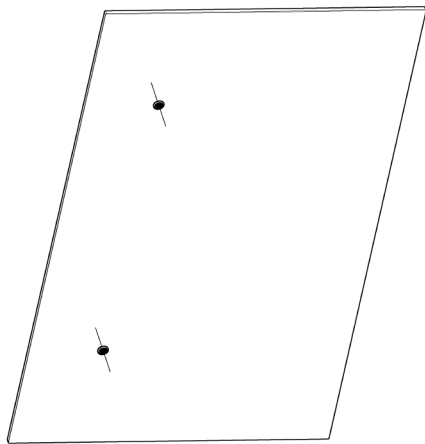
Pos.	Part no.	Designation	Qty.	UQ	A	Page
0010	7182200	Maintenance flaps MS2 MS4, complete	1	PCE	-	208
0020	7273080	Maintenance flap MS1 MS3 kpl	2	PCE	E	210
0030	7273885	window flap hinge complete	1	PCE	-	212
0040	7273857	Maintance flap hinge left, complete	1	PCE	-	216
0050	7182702	Clip MS2 MS4, top, complete	2	PCE	-	220
0060	7273980	Clip MS1 MS3 ,top, complete	2	PCE	-	222
0070	7352439	window flap (vb) MS1_MS3 cpl FEC20	2	PCE	-	224
0080	7275526	Window flap linkage MS1 MS3 complete FEC20	2	PCE	E	226
0090	7275525	Window flap linkage MS4 complete FEC20	1	PCE	E	230
0100	7352444	window flap (vb) MS4 cpl FEC20	1	PCE	-	234
0110	7352441	window flap (vb) MS2 cpl FEC20	1	PCE	-	236
0120	7275524	Window flap linkage MS2	1	PCE	E	238
0130	7273202	column panelling S1_S3	2	PCE	-	242
0140	7273501	column panelling S2/S4 cpl	2	PCE	-	244
0150	7273971	Cover discharge FEC20	1	PCE	E	
0160	2143474	Hexagon socket head cap screw ISO4762-M6x10-A2-70	3	PCE	N	
0170	2143365	washer ISO7089-6-A2	3	PCE	N	



### 1.35.1

#### 7182200 Maintenance flaps MS2 MS4, complete

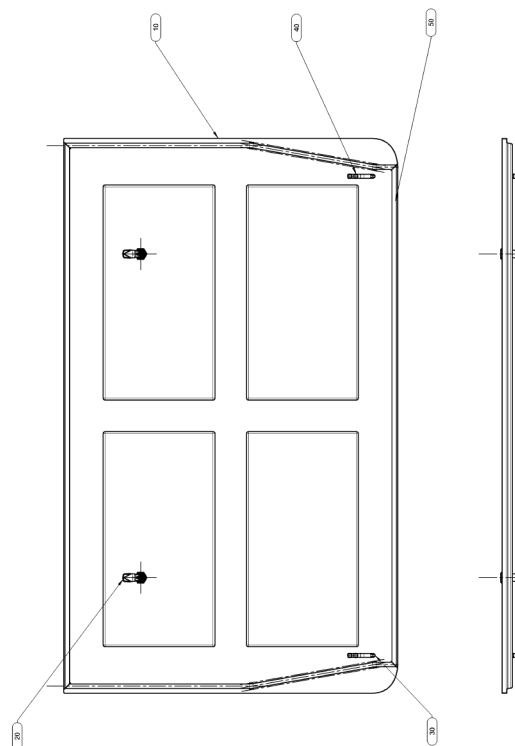
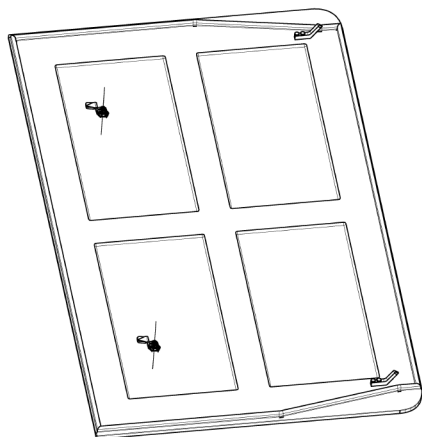
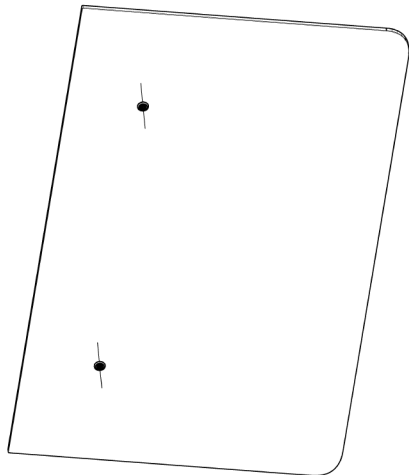
Pos.	Part no.	Designation	Qty.	UQ	A	Page
0010	7182189	Maintenance flap MS2 MS4	1	PCE	E	
0020	7182198	Maintenance flap sealing frame MS2_MS4 FEC40	1	PCE	E	
0030	7053382	Sash lock	2	PCE	E	
0040	7168766	CODED MAGNET PSEN 1.2-20	1	PCE	E	
0050	7182196	Maintenance flap guide	2	PCE	E	
0060	7179417	Countersunk screw IS V2A M5x25	1	PCE	N	
0070	2143568	Hexagon head bolt ISO4017-M6x20-A2-70	4	PCE	N	



## 1.35.2

### 7273080 Maintenance flap MS1 MS3 kpl

Pos.	Part no.	Designation	Qty.	UQ	A	Page
0010	7273079	Maintenance flap MS1 MS3	2	PCE	E	
0020	7053382	Sash lock	4	PCE	E	
0030	7182196	Maintenance flap guide	4	PCE	E	
0040	2143568	Hexagon head bolt ISO4017-M6x20-A2-70	8	PCE	N	
0050	7273075	Tight frame maintance flap MS1 MS3 FEC20	2	PCE	E	



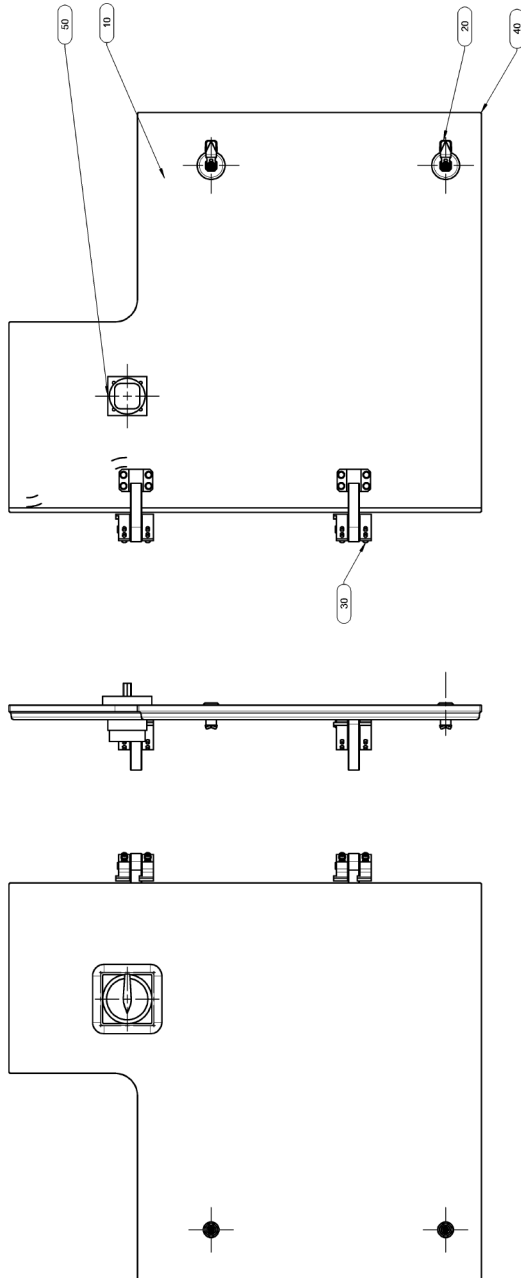
---

### 1.35.3

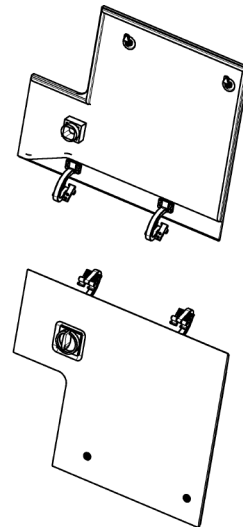
#### 7273885 window flap hinge complete

Pos.	Part no.	Designation	Qty.	UQ	A	Page
0010	7273855	maintenance flap hinge	1	PCE	E	
0020	7053382	Sash lock	2	PCE	E	
0030	7182599	Maintenance flap hinge, complete	2	PCE	-	214
0040	7273883	Tight frame maintance flap hinge	1	PCE	E	





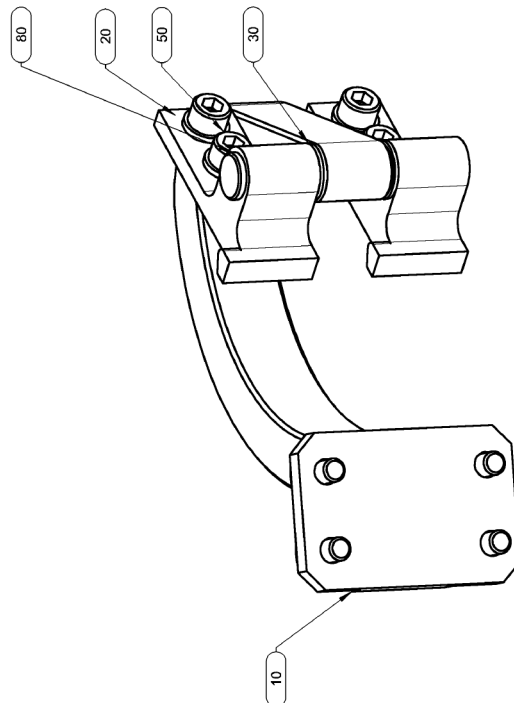
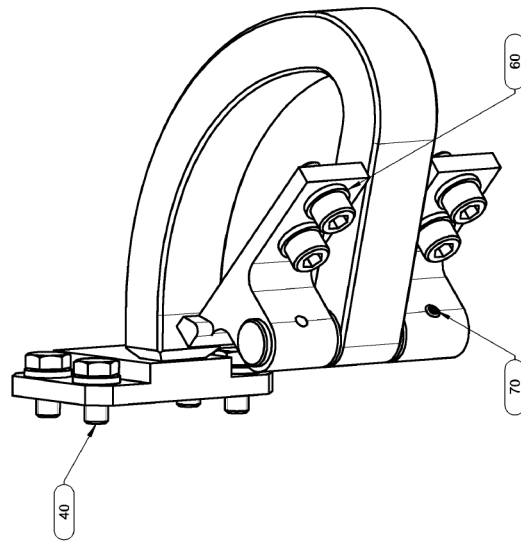
Pos. 5 in E Stückliste



### 1.35.3.1

#### 7182599 Maintenance flap hinge, complete

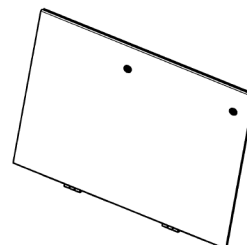
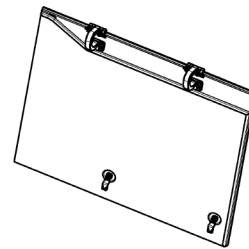
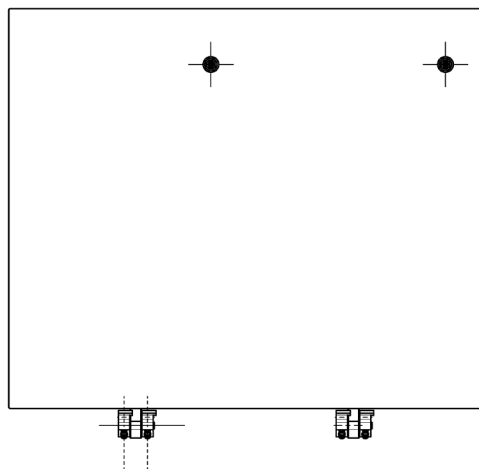
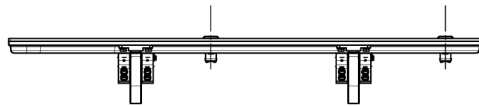
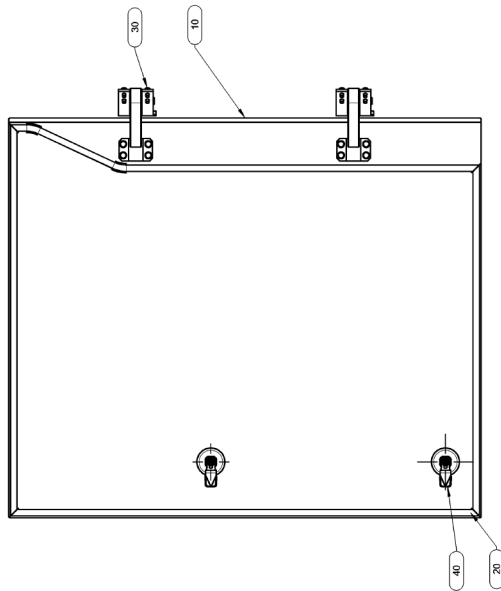
Pos.	Part no.	Designation	Qty.	UQ	A	Page
0010	7182493	Swan-neck, maintenance flap, FT	2	PCE	E	
0020	7182464	Maintenance flap hinge leaf	4	PCE	E	
0030	7182598	Plain bearing	4	PCE	N	
0040	2143566	Hexagon head bolt ISO4017-M6x12-A2-70	8	PCE	N	
0050	2143475	Hexagon socket head cap screw ISO4762-M6x12-A2-70	8	PCE	N	
0060	2143365	washer ISO7089-6-A2	16	PCE	N	
0070	3700125	hexagon socket set screw with dog point ISO4028-M4x6-45H-St	2	PCE	N	
0080	7182597	Hinge pin	2	PCE	N	



### 1.35.4

#### 7273857 Maintenance flap hinge left, complete

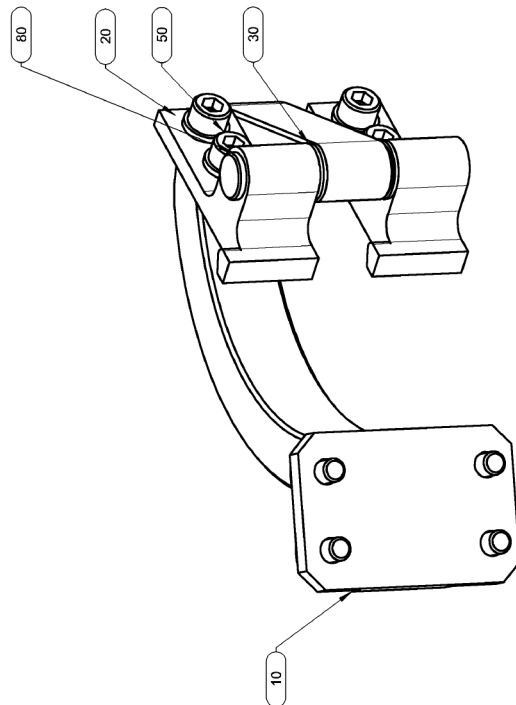
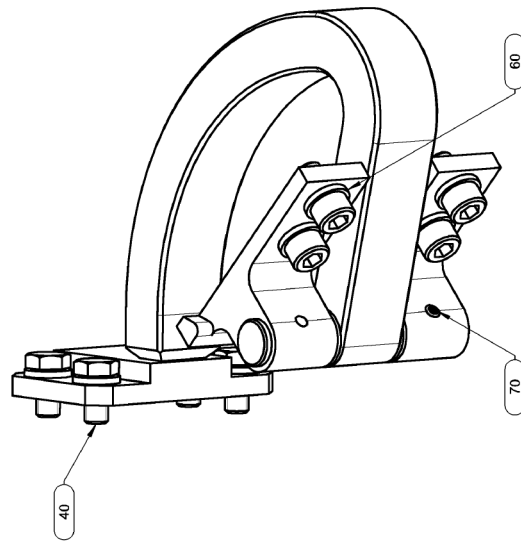
Pos.	Part no.	Designation	Qty.	UQ	A	Page
0010	7273502	maintenance flap hinge left	1	PCE	E	
0020	7273856	Tight frame maintance flap hinge	1	PCE	E	
0030	7182599	Maintenance flap hinge, complete	2	PCE	-	218
0040	7053382	Sash lock	2	PCE	E	



### 1.35.4.1

#### 7182599 Maintenance flap hinge, complete

Pos.	Part no.	Designation	Qty.	UQ	A	Page
0010	7182493	Swan-neck, maintenance flap, FT	2	PCE	E	
0020	7182464	Maintenance flap hinge leaf	4	PCE	E	
0030	7182598	Plain bearing	4	PCE	N	
0040	2143566	Hexagon head bolt ISO4017-M6x12-A2-70	8	PCE	N	
0050	2143475	Hexagon socket head cap screw ISO4762-M6x12-A2-70	8	PCE	N	
0060	2143365	washer ISO7089-6-A2	16	PCE	N	
0070	3700125	hexagon socket set screw with dog point ISO4028-M4x6-45H-St	2	PCE	N	
0080	7182597	Hinge pin	2	PCE	N	

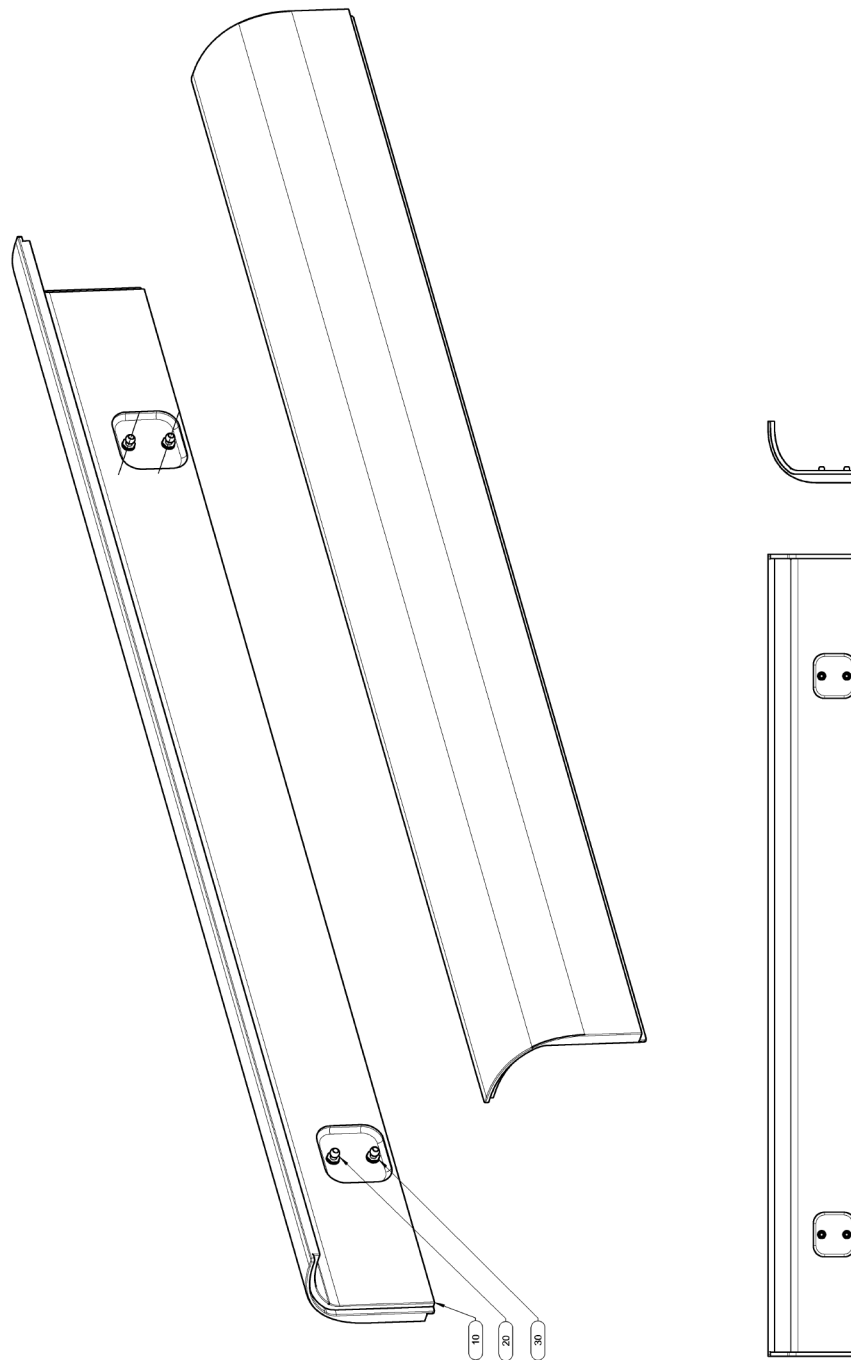


### 1.35.5

#### 7182702 Clip MS2 MS4, top, complete

Pos.	Part no.	Designation	Qty.	UQ	A	Page
0010	7182701	Clip MS2 MS4, top	2	PCE	E	
0020	7080478	Ball-headed pin	8	PCE	N	
0030	9120152	Shim ring DIN988-8x14x0,5-A2	8	PCE	N	

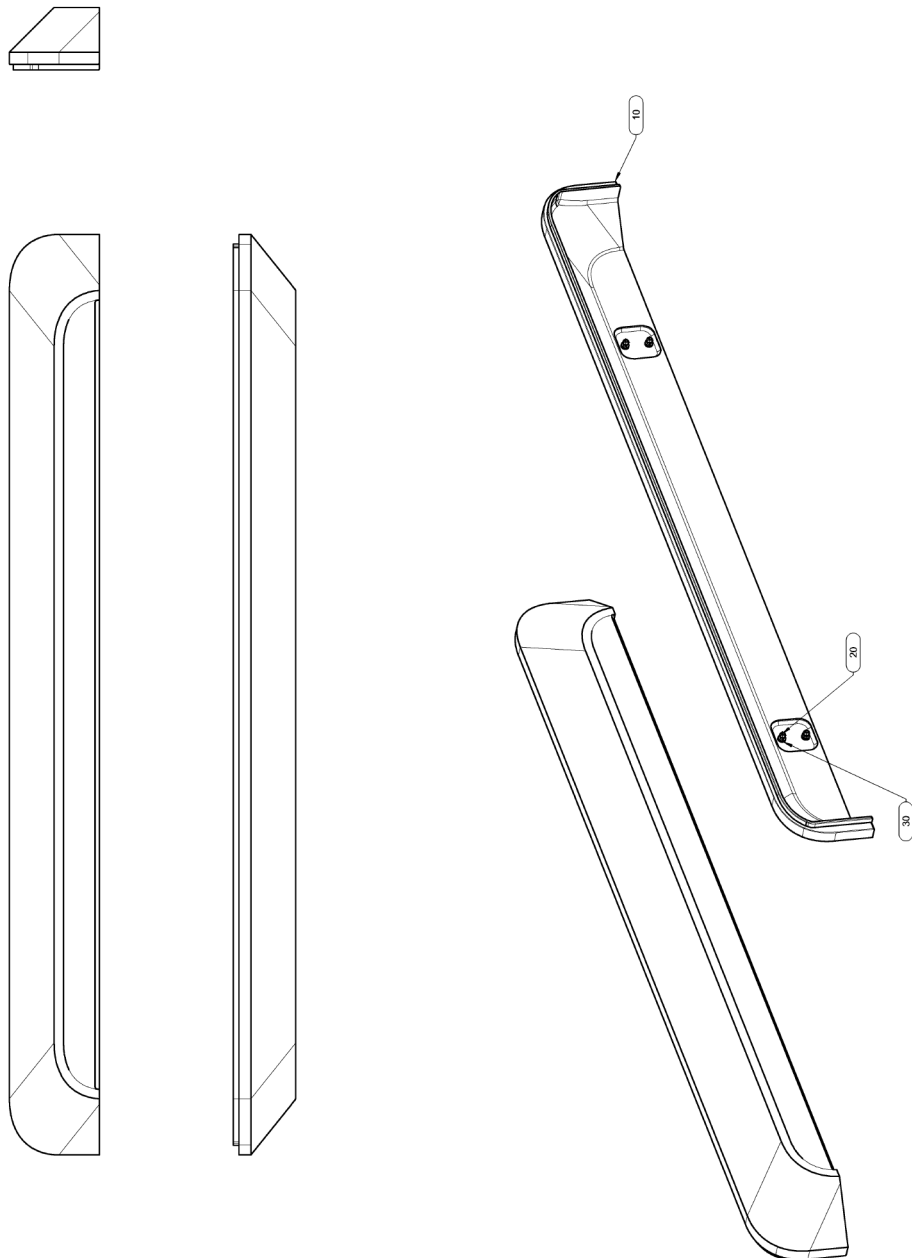




### 1.35.6

#### 7273980 Clip MS1 MS3 ,top, complete

Pos.	Part no.	Designation	Qty.	UQ	A	Page
0010	7273979	clip top MC1 MC3	2	PCE	E	
0020	7080478	Ball-headed pin	8	PCE	N	
0030	9120152	Shim ring DIN988-8x14x0,5-A2	8	PCE	N	



### 1.35.7

#### 7352439 window flap (vb) MS1\_MS3 cpl FEC20

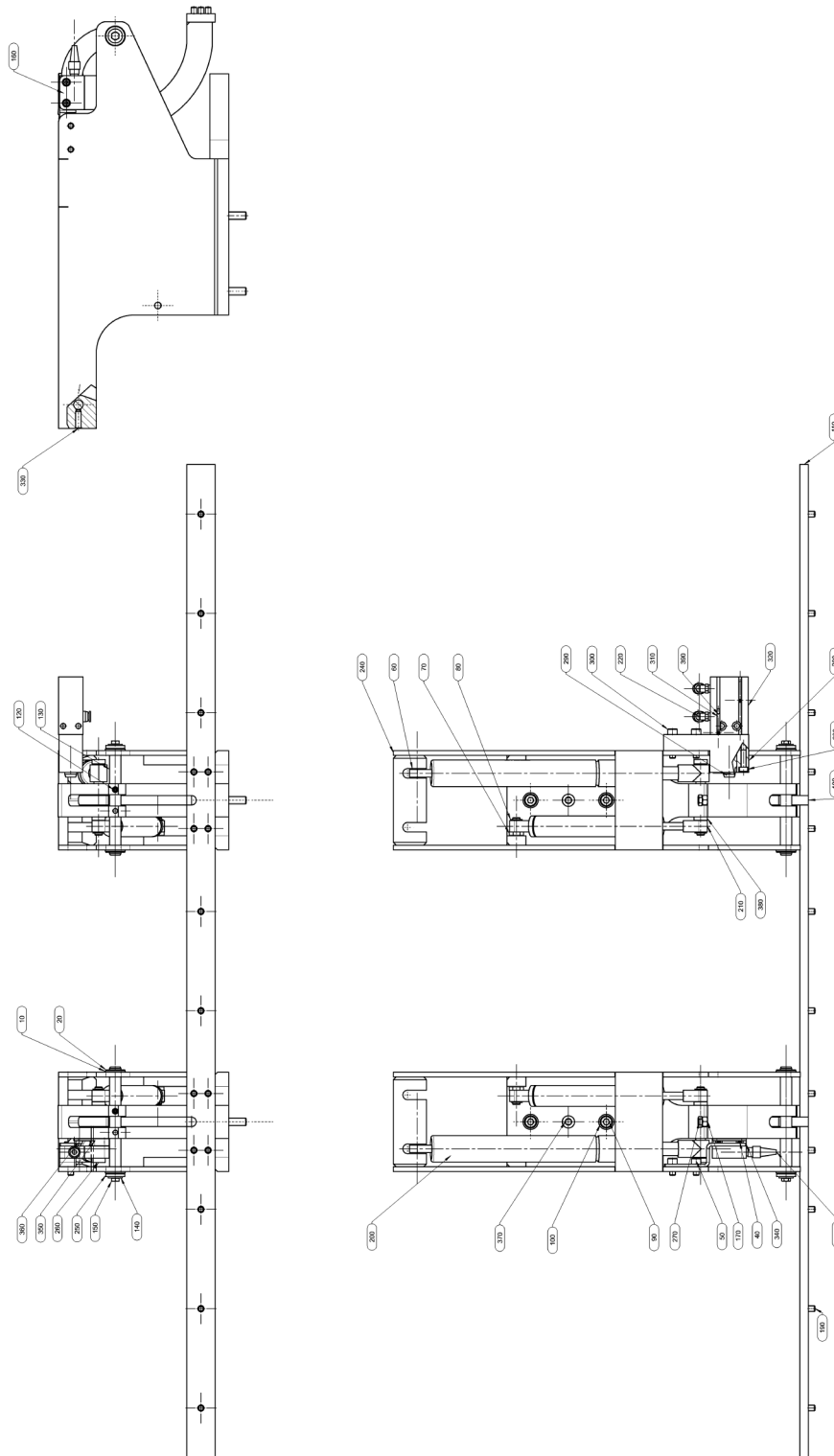
Pos.	Part no.	Designation	Qty.	UQ	A	Page
0010	7350128	window flap (vb) MS1_MS3 FEC20	2	PCE	E	
0020	7183294	Window flap sealing frame MS2 MS4	2	PCE	E	



### 1.35.8

#### 7275526 Window flap linkage MS1 MS3 complete FEC20

Pos.	Part no.	Designation	Qty.	UQ	A	Page
0010	7068375	Shim ring DIN988-15x21x1,5-A2	8	PCE	N	
0020	3746505	DU FLANGE SLEEVE(DRY PLAIN BEARING) CYLINDRICAL SLEEVE.	8	PCE	N	
0030	9153651	CODED SENSOR PSEN 2.1p-11	2	PCE	E	
0040	2143459	Hexagon socket head cap screw ISO4762-M4x12-A2-70	8	PCE	N	
0050	2143475	Hexagon socket head cap screw ISO4762-M6x12-A2-70	4	PCE	N	
0060	2143308	Parallel pin ISO2338-10m6x50-A1	4	PCE	N	
0070	7040216	Bearing pin M8	4	PCE	E	
0080	7040212	Retaining washers DIN6799-6-A2	8	PCE	N	
0090	2143488	Hexagon socket head cap screw ISO4762-M8x40-A2-70	8	PCE	N	
0100	2143366	washer ISO7089-8-A2	8	PCE	N	
0110	7275521	Hinge strip MS1-MS3 FEC20	2	PCE	E	
0120	2142073	grub screw ISO4026-M6x6-45H-St	4	PCE	N	
0130	7184420	Flap hinge for shaft	4	PCE	E	
0140	2143782	washer ISO7093-5-A2	4	PCE	N	
0150	2143560	Hexagon head bolt ISO4017-M5x10-A2-70	4	PCE	N	
0160	9153653	Coded Magnet PSEN 2.1-10 SN=3mm	2	PCE	E	
0170	2143603	Hexagon nut ISO4032-M6-A2-70	4	PCE	N	
0180	7184677	Silicone square profile 5x10 mm 60Shore	0.300	MTR	E	
0190	2143778	Hexagon socket countersunk head screw ISO10642-M6x16-A2-70	32	PCE	N	
0200	7184678	Gas spring D14/28, stroke 150mm	4	PCE	N	
0210	7184679	Brake cylinder D22 stroke 100, special connection	4	PCE	E	
0220	3796806	L-push-in fitting QSML-M5-6	4	PCE	N	
0230	2143471	Hexagon socket head cap screw ISO4762-M5x40-A2-70	4	PCE	N	
0240	7184188	Gas spring mount, FT	4	PCE	E	
0250	7208521	Plain washer	4	PCE	N	
0260	7184389	Gas spring mounting pin	4	PCE	E	
0270	2143568	Hexagon head bolt ISO4017-M6x20-A2-70	4	PCE	N	
0280	7201802	Window flap locking mechanism mount	2	PCE	E	
0290	7201803	Window flap locking mechanism plunger	2	PCE	E	
0300	2143478	Hexagon socket head cap screw ISO4762-M6x25-A2-70	4	PCE	N	
0310	7177092	Proximity switch for SMC cylinder	4	PCE	E	
0320	7220546	cylinder CDU20-15D	2	PCE	N	
0330	7038808	grub screw ISO4027-M6x20-A2	4	PCE	N	
0340	7264494	Angle plate, safety switch	2	PCE	E	
0350	7264480	Fixation, safety switch	2	PCE	E	
0360	2143685	CAP SCREW DIN6912-M4X8-A2-70	4	PCE	N	
0370	2142030	CAP SCREW DIN912-M8X25-10.9	4	PCE	N	
0380	7271423	Spacer disc, window flap linkage	4	PCE	N	



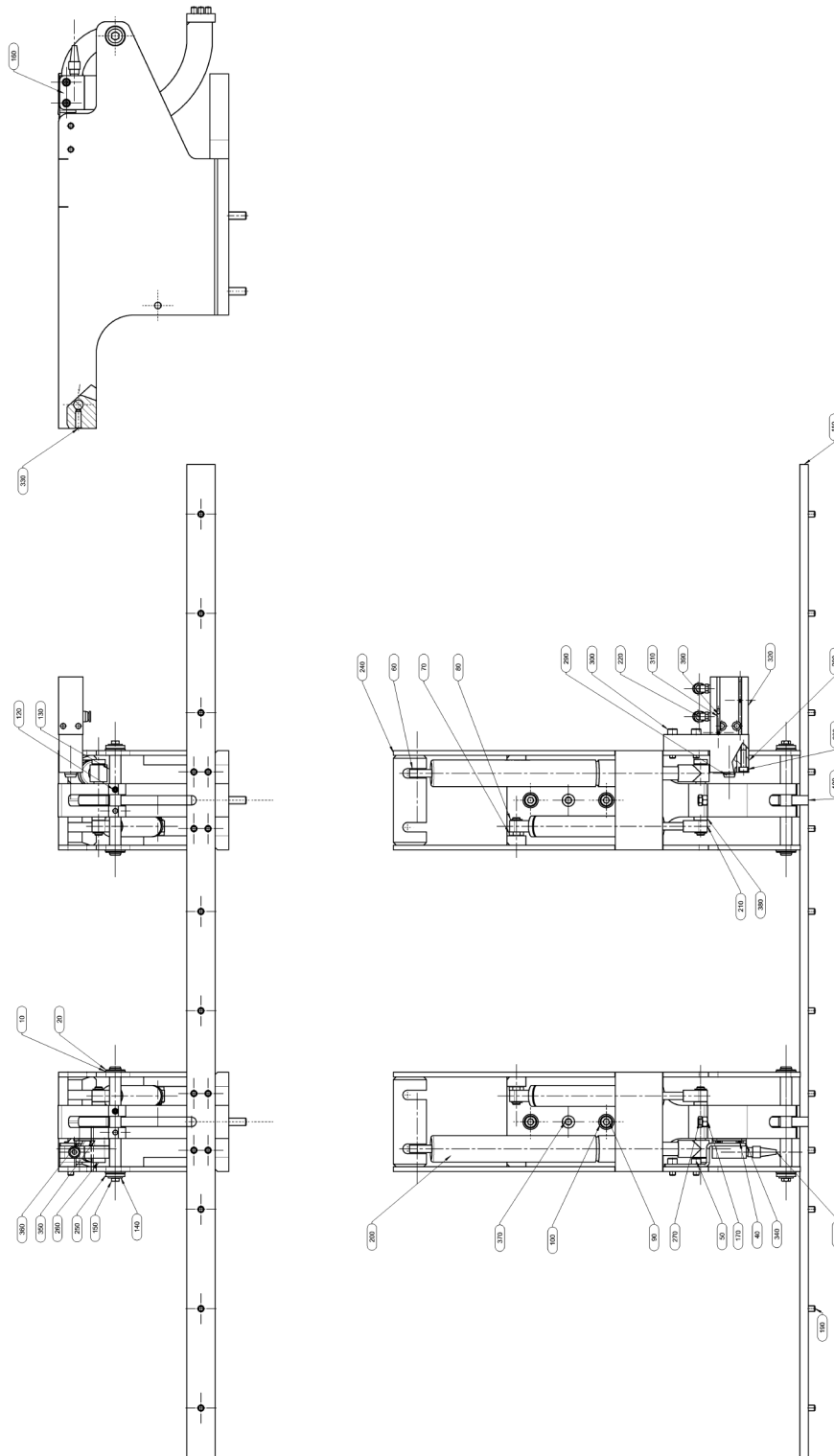
---

### 1.35.8

#### 7275526 Window flap linkage MS1 MS3 complete FEC20

Pos.	Part no.	Designation	Qty.	UQ	A	Page
0390	7236727	Adapter for proximity switch SMC	4	PCE	E	

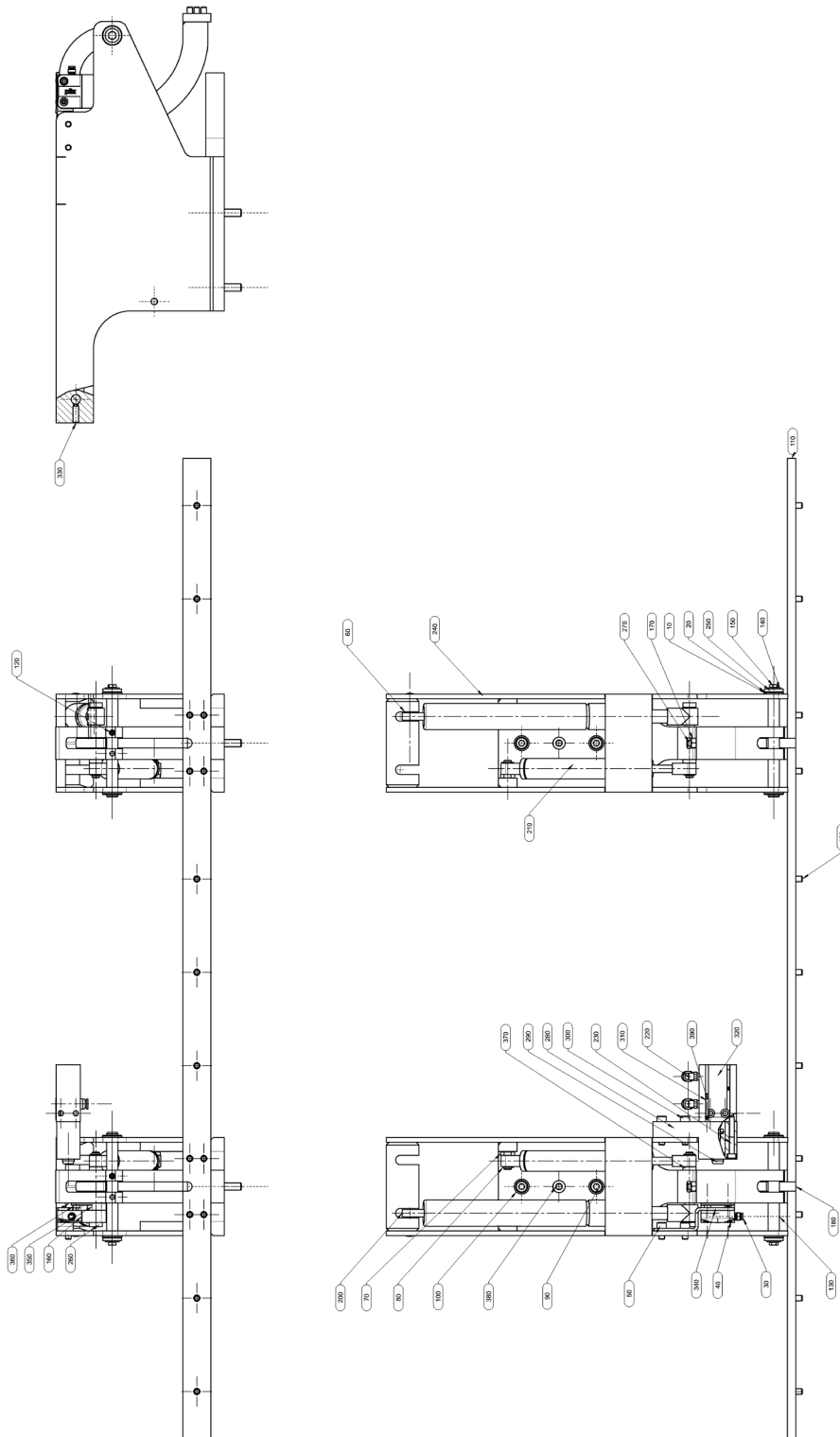




### 1.35.9

#### 7275525 Window flap linkage MS4 complete FEC20

Pos.	Part no.	Designation	Qty.	UQ	A	Page
0010	7068375	Shim ring DIN988-15x21x1,5-A2	4	PCE	N	
0020	3746505	DU FLANGE SLEEVE(DRY PLAIN BEARING) CYLINDRICAL SLEEVE.	4	PCE	N	
0030	9153651	CODED SENSOR PSEN 2.1p-11	1	PCE	E	
0040	2143459	Hexagon socket head cap screw ISO4762-M4x12-A2-70	4	PCE	N	
0050	2143475	Hexagon socket head cap screw ISO4762-M6x12-A2-70	2	PCE	N	
0060	2143308	Parallel pin ISO2338-10m6x50-A1	2	PCE	N	
0070	7040216	Bearing pin M8	2	PCE	E	
0080	7040212	Retaining washers DIN6799-6-A2	4	PCE	N	
0090	2143488	Hexagon socket head cap screw ISO4762-M8x40-A2-70	4	PCE	N	
0100	2143366	washer ISO7089-8-A2	4	PCE	N	
0110	7275519	hinge bar MS4 FEC20	1	PCE	E	
0120	2142073	grub screw ISO4026-M6x6-45H-St	2	PCE	N	
0130	7184420	Flap hinge for shaft	2	PCE	E	
0140	2143782	washer ISO7093-5-A2	2	PCE	N	
0150	2143560	Hexagon head bolt ISO4017-M5x10-A2-70	2	PCE	N	
0160	9153653	Coded Magnet PSEN 2.1-10 SN=3mm	1	PCE	E	
0170	2143603	Hexagon nut ISO4032-M6-A2-70	2	PCE	N	
0180	7184677	Silicone square profile 5x10 mm 60Shore	0.155	MTR	E	
0190	2143778	Hexagon socket countersunk head screw ISO10642-M6x16-A2-70	15	PCE	N	
0200	7184678	Gas spring D14/28, stroke 150mm	2	PCE	N	
0210	7184679	Brake cylinder D22 stroke 100, special connection	2	PCE	E	
0220	3796806	L-push-in fitting QSML-M5-6	2	PCE	N	
0230	2143471	Hexagon socket head cap screw ISO4762-M5x40-A2-70	2	PCE	N	
0240	7184188	Gas spring mount, FT	2	PCE	E	
0250	7208521	Plain washer	2	PCE	N	
0260	7184389	Gas spring mounting pin	2	PCE	E	
0270	2143568	Hexagon head bolt ISO4017-M6x20-A2-70	2	PCE	N	
0280	7201802	Window flap locking mechanism mount	1	PCE	E	
0290	7201803	Window flap locking mechanism plunger	1	PCE	E	
0300	2143478	Hexagon socket head cap screw ISO4762-M6x25-A2-70	2	PCE	N	
0310	7177092	Proximity switch for SMC cylinder	2	PCE	E	
0320	7220546	cylinder CDU20-15D	1	PCE	N	
0330	7038808	grub screw ISO4027-M6x20-A2	2	PCE	N	
0340	7264494	Angle plate, safety switch	1	PCE	E	
0350	7264480	Fixation, safety switch	1	PCE	E	
0360	2143685	CAP SCREW DIN6912-M4X8-A2-70	2	PCE	N	
0370	7271423	Spacer disc, window flap linkage	2	PCE	N	
0380	2142030	CAP SCREW DIN912-M8X25-10.9	2	PCE	N	

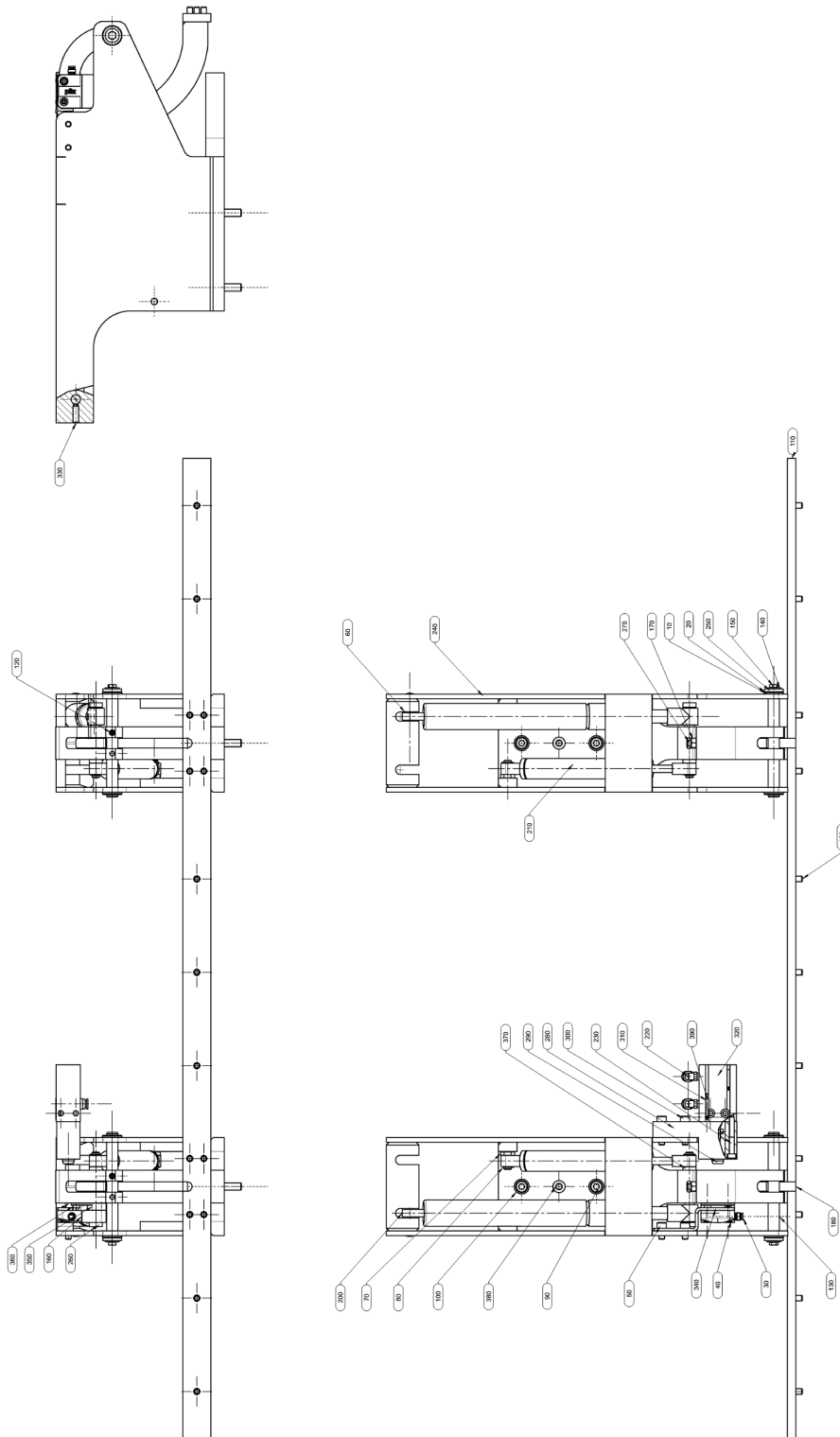


---

### 1.35.9

#### 7275525 Window flap linkage MS4 complete FEC20

Pos.	Part no.	Designation	Qty.	UQ	A	Page
0390	7236727	Adapter for proximity switch SMC	2	PCE	E	



---

## 1.35.10

### 7352444 window flap (vb) MS4 cpl FEC20

Pos.	Part no.	Designation	Qty.	UQ	A	Page
0010	7350555	window flap (vb) MS4 FEC20	1	PCE	E	
0020	7183294	Window flap sealing frame MS2 MS4	1	PCE	E	



### 1.35.11

#### 7352441 window flap (vb) MS2 cpl FEC20

Pos.	Part no.	Designation	Qty.	UQ	A	Page
0010	7350503	window flap (vb) MS2 FEC20	1	PCE	E	
0020	7183294	Window flap sealing frame MS2 MS4	1	PCE	E	





## 1.35.12 7275524 Window flap linkage MS2

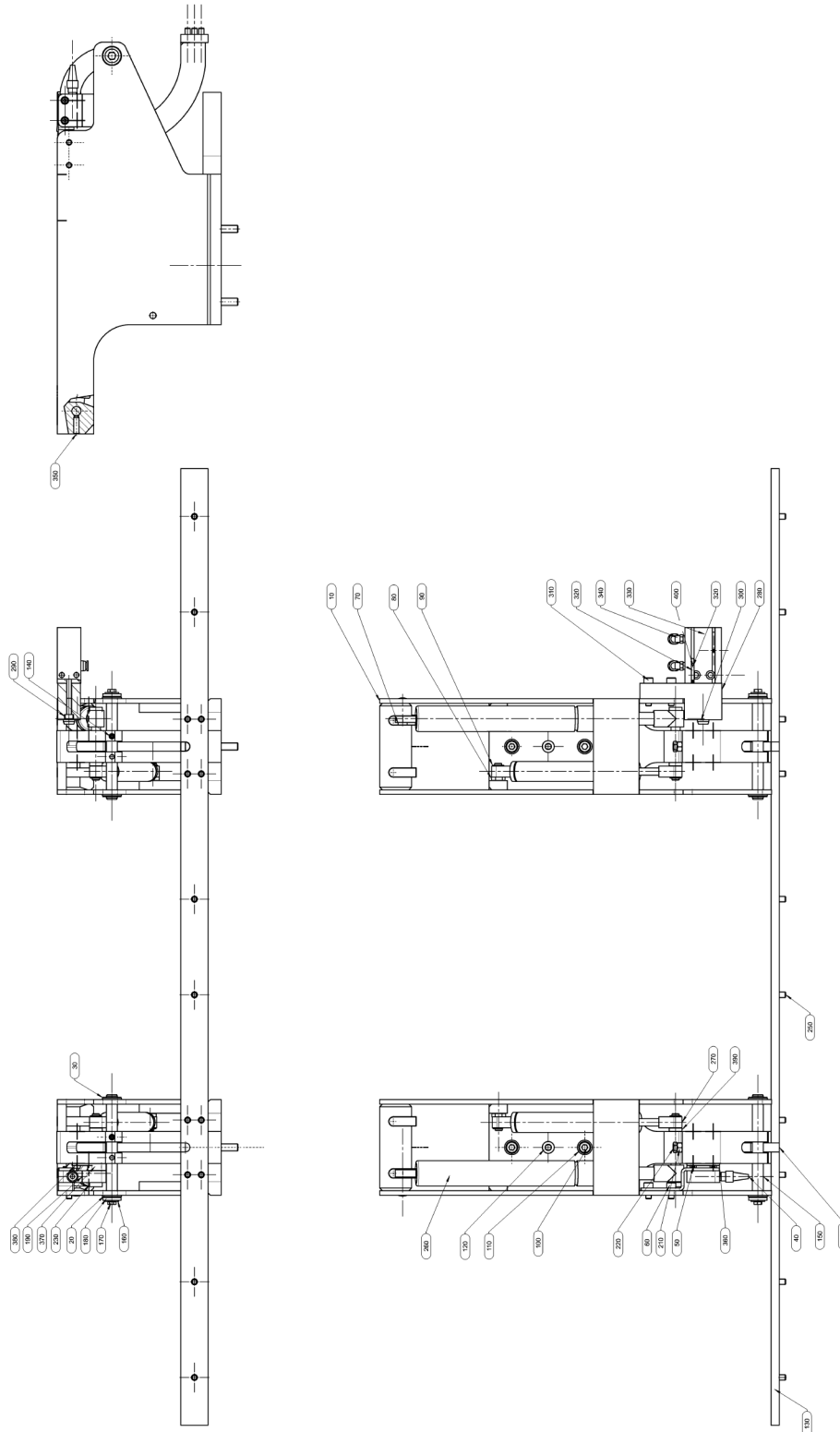
Pos.	Part no.	Designation	Qty.	UQ	A	Page
0010	7184188	Gas spring mount, FT	2	PCE	E	
0020	7068375	Shim ring DIN988-15x21x1,5-A2	4	PCE	N	
0030	3746505	DU FLANGE SLEEVE(DRY PLAIN BEARING) CYLINDRICAL SLEEVE.	4	PCE	N	
0040	9153651	CODED SENSOR PSEN 2.1p-11	1	PCE	E	
0050	2143459	Hexagon socket head cap screw ISO4762-M4x12-A2-70	4	PCE	N	
0060	2143475	Hexagon socket head cap screw ISO4762-M6x12-A2-70	2	PCE	N	
0070	2143308	Parallel pin ISO2338-10m6x50-A1	2	PCE	N	
0080	7040216	Bearing pin M8	2	PCE	E	
0090	7040212	Retaining washers DIN6799-6-A2	4	PCE	N	
0100	2143488	Hexagon socket head cap screw ISO4762-M8x40-A2-70	4	PCE	N	
0110	2143366	washer ISO7089-8-A2	4	PCE	N	
0120	2142030	CAP SCREW DIN912-M8X25-10.9	2	PCE	N	
0130	7275523	Hinge ledge MS2 FEC20	1	PCE	E	
0140	2142073	grub screw ISO4026-M6x6-45H-St	2	PCE	N	
0150	7184420	Flap hinge for shaft	2	PCE	E	
0160	2143782	washer ISO7093-5-A2	2	PCE	N	
0170	2143560	Hexagon head bolt ISO4017-M5x10-A2-70	2	PCE	N	
0180	7208521	Plain washer	2	PCE	N	
0190	9153653	Coded Magnet PSEN 2.1-10 SN=3mm	1	PCE	E	
0210	2143603	Hexagon nut ISO4032-M6-A2-70	2	PCE	N	
0220	2143568	Hexagon head bolt ISO4017-M6x20-A2-70	2	PCE	N	
0230	7184389	Gas spring mounting pin	2	PCE	E	
0240	7184677	Silicone square profile 5x10 mm 60Shore	0.155	MTR	E	
0250	2143778	Hexagon socket countersunk head screw ISO10642-M6x16-A2-70	14	PCE	N	
0260	7184678	Gas spring D14/28, stroke 150mm	2	PCE	N	
0270	7184679	Brake cylinder D22 stroke 100, special connection	2	PCE	E	
0280	7201802	Window flap locking mechanism mount	1	PCE	E	
0290	2143471	Hexagon socket head cap screw ISO4762-M5x40-A2-70	2	PCE	N	
0300	7201803	Window flap locking mechanism plunger	1	PCE	E	
0310	2143478	Hexagon socket head cap screw ISO4762-M6x25-A2-70	2	PCE	N	
0320	7177092	Proximity switch for SMC cylinder	2	PCE	E	
0330	7220546	cylinder CDU20-15D	1	PCE	N	
0340	3796806	L-push-in fitting QSML-M5-6	2	PCE	N	
0350	7038808	grub screw ISO4027-M6x20-A2	2	PCE	N	
0360	7264494	Angle plate, safety switch	1	PCE	E	
0370	7264480	Fixation, safety switch	1	PCE	E	
0380	2143685	CAP SCREW DIN6912-M4X8-A2-70	2	PCE	N	
0390	7271423	Spacer disc, window flap linkage	2	PCE	N	



---

**1.35.12**  
**727524 Window flap linkage MS2**

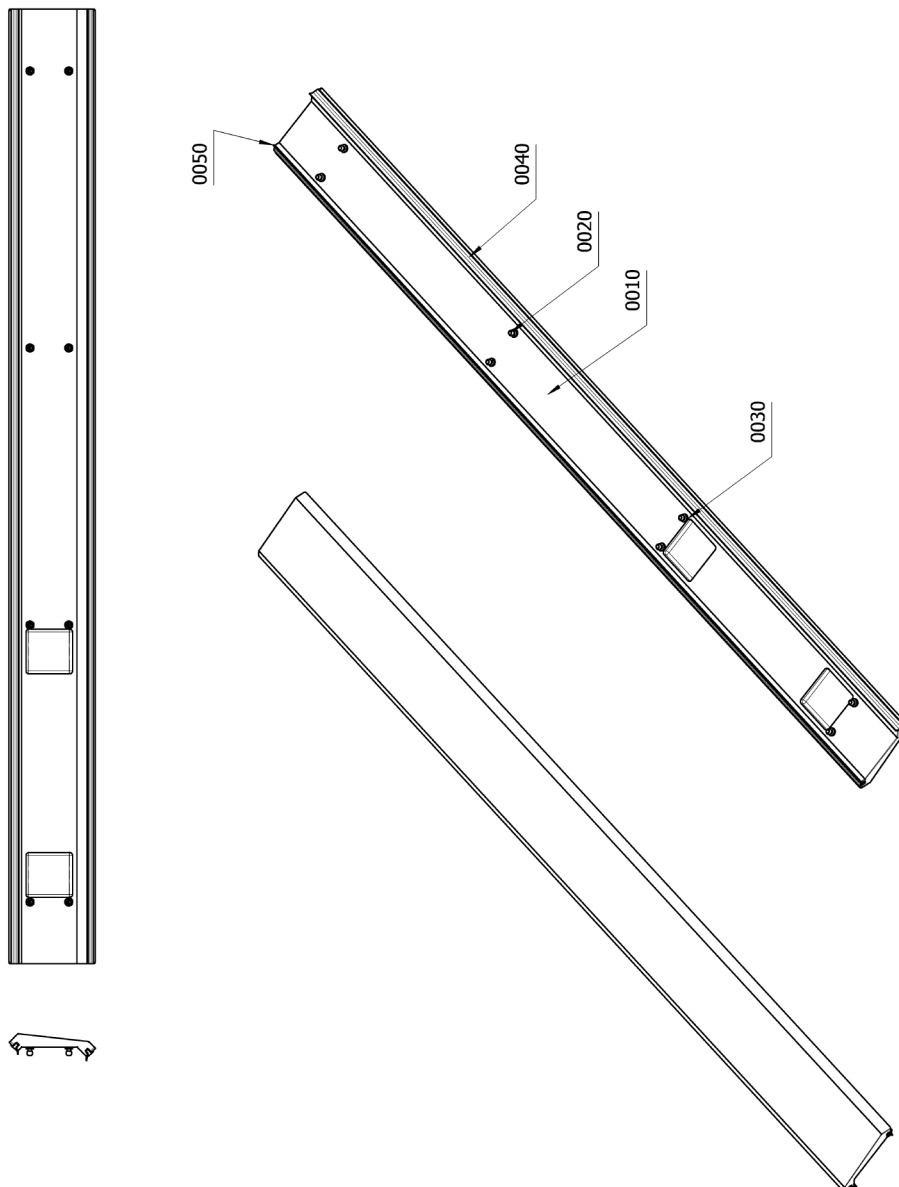
<b>Pos.</b>	<b>Part no.</b>	<b>Designation</b>	<b>Qty.</b>	<b>UQ</b>	<b>A</b>	<b>Page</b>
0400	7236727	Adapter for proximity switch SMC	2	PCE	E	



### 1.35.13

#### 7273202 column panelling S1\_S3

Pos.	Part no.	Designation	Qty.	UQ	A	Page
0010	7273201	column panelling S1/S3	2	PCE	E	
0020	7080478	Ball-headed pin	16	PCE	N	
0030	9120152	Shim ring DIN988-8x14x0,5-A2	16	PCE	N	
0040	7153525	Sealing profile retainer clip;	4	MTR	E	
0050	7153525	Sealing profile retainer clip;	4	MTR	E	

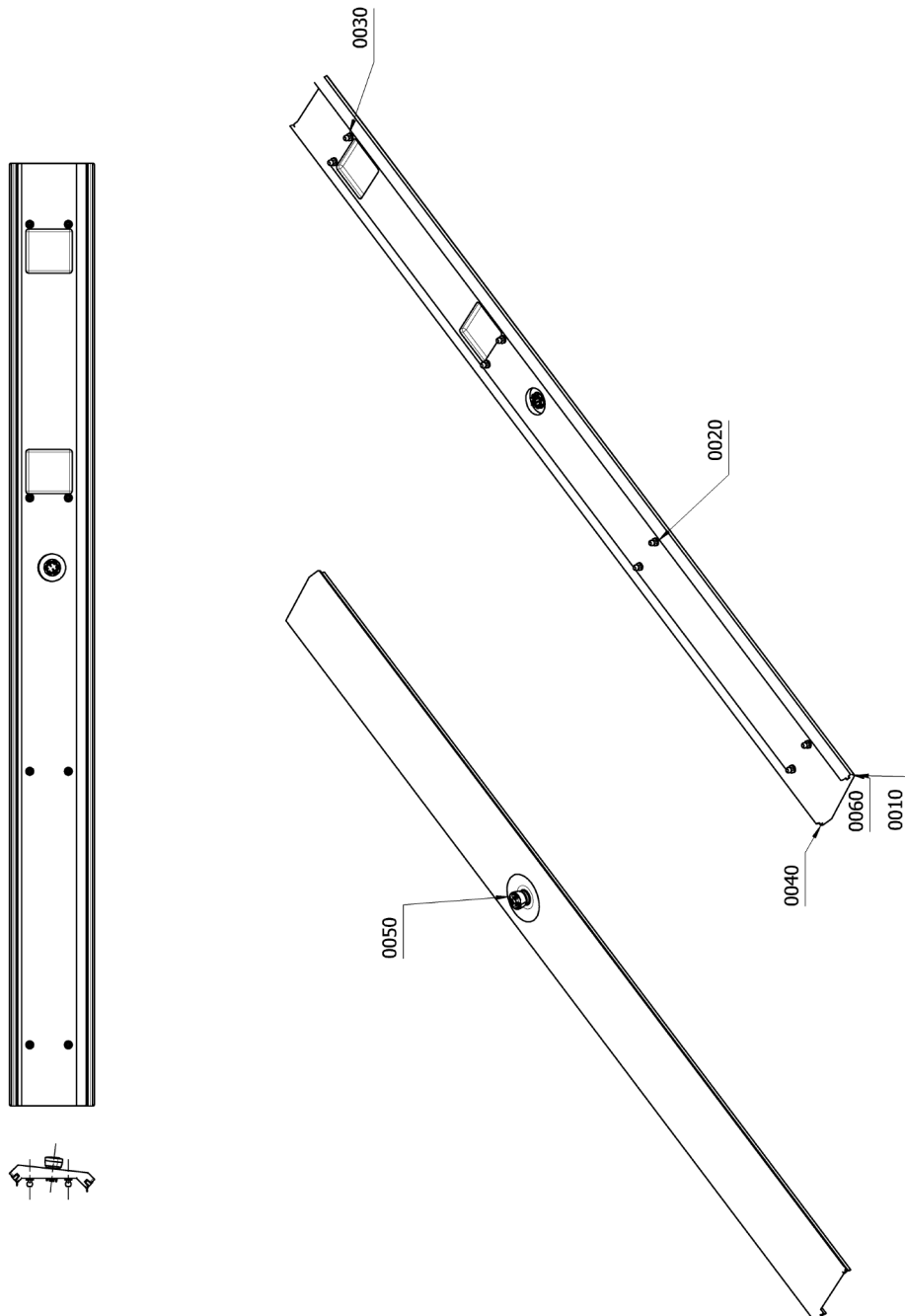


## 1.35.14

### 7273501 column panelling S2/S4 cpl

Pos.	Part no.	Designation	Qty.	UQ	A	Page
0010	7273203	column panelling S2/S4	2	PCE	E	
0020	7080478	Ball-headed pin	16	PCE	N	
0030	9120152	Shim ring DIN988-8x14x0,5-A2	16	PCE	N	
0040	7153525	Sealing profile retainer clip;	4	MTR	E	
0050	7271223	Emergency stop + cabel witch plug	2	PCE	-	246
0060	7153525	Sealing profile retainer clip;	4	MTR	E	





### 1.35.14.1

#### 7271223 Emergency stop + cabel witch plug

Pos.	Part no.	Designation	Qty.	UQ	A	Page
0010	9154663	EMERGENCY STOP Switch 2 NC	1	PCE	E	
0020	7123805	Sensor-/actuator-cable 2m PUR 8x0,25mm <sup>2</sup> with M12x1 plug 8-pos. straight	1	PCE	E	
0030	2153374	Receptacle 2,8x0,5mm; 0,3-1,5mm <sup>2</sup> , pre-insulated Packing unit = 1000 pcs	6	PCE	-	

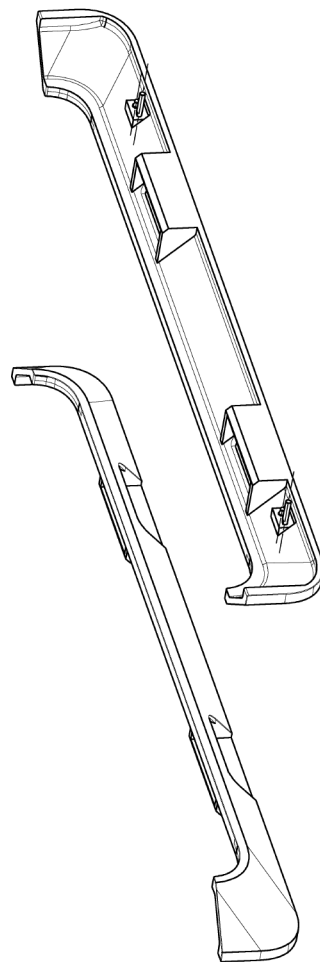
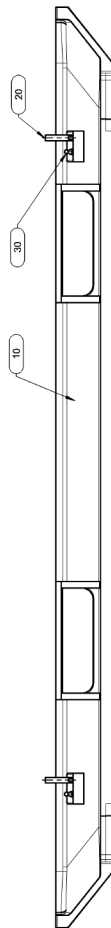
---

without figure

## 1.36

### 7273984 Clip below MS1 MS3 FEC20 complete

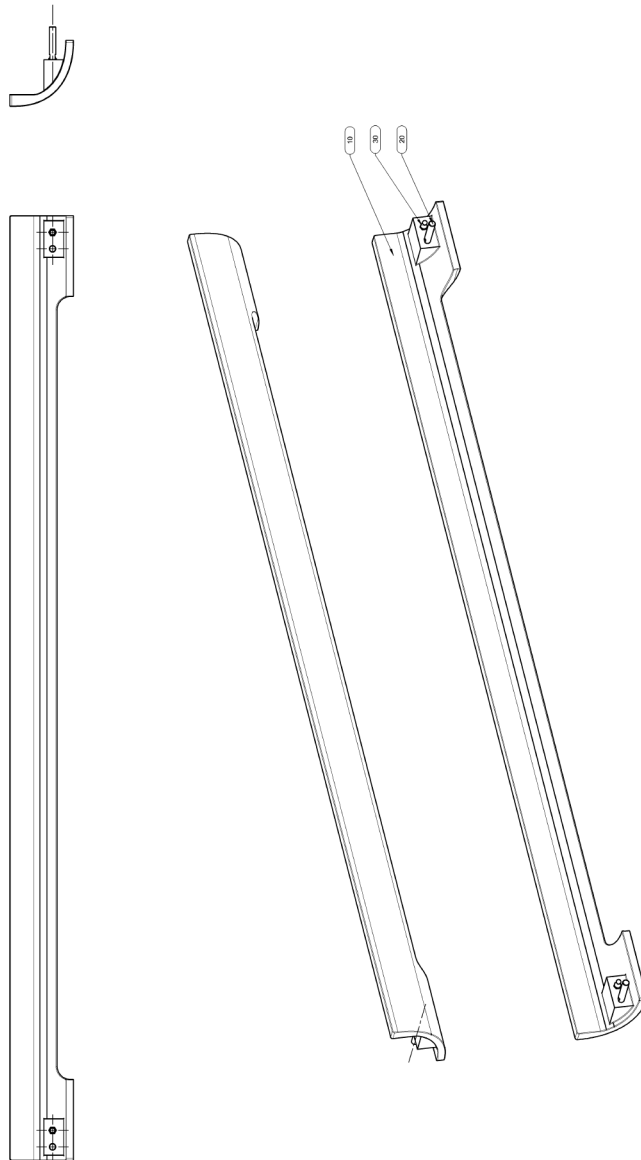
Pos.	Part no.	Designation	Qty.	UQ	A	Page
0010	7273983	Clip below MS1 MS3 FEC20	2	PCE	E	
0020	7138442	Guiding thorn	4	PCE	E	
0030	7042766	Metal-/plastic combination Ball-headed pin with external thread d=7mm	4	PCE	E	



## 1.37

### 7182301 Clip MS2 MS4, below, complete

Pos.	Part no.	Designation	Qty.	UQ	A	Page
0010	7182299	Clip MS2 MS4 below	1	PCE	E	
0020	7138442	Guiding thorn	2	PCE	E	
0030	7042766	Metal-/plastic combination Ball-headed pin with external thread d=7mm	2	PCE	E	

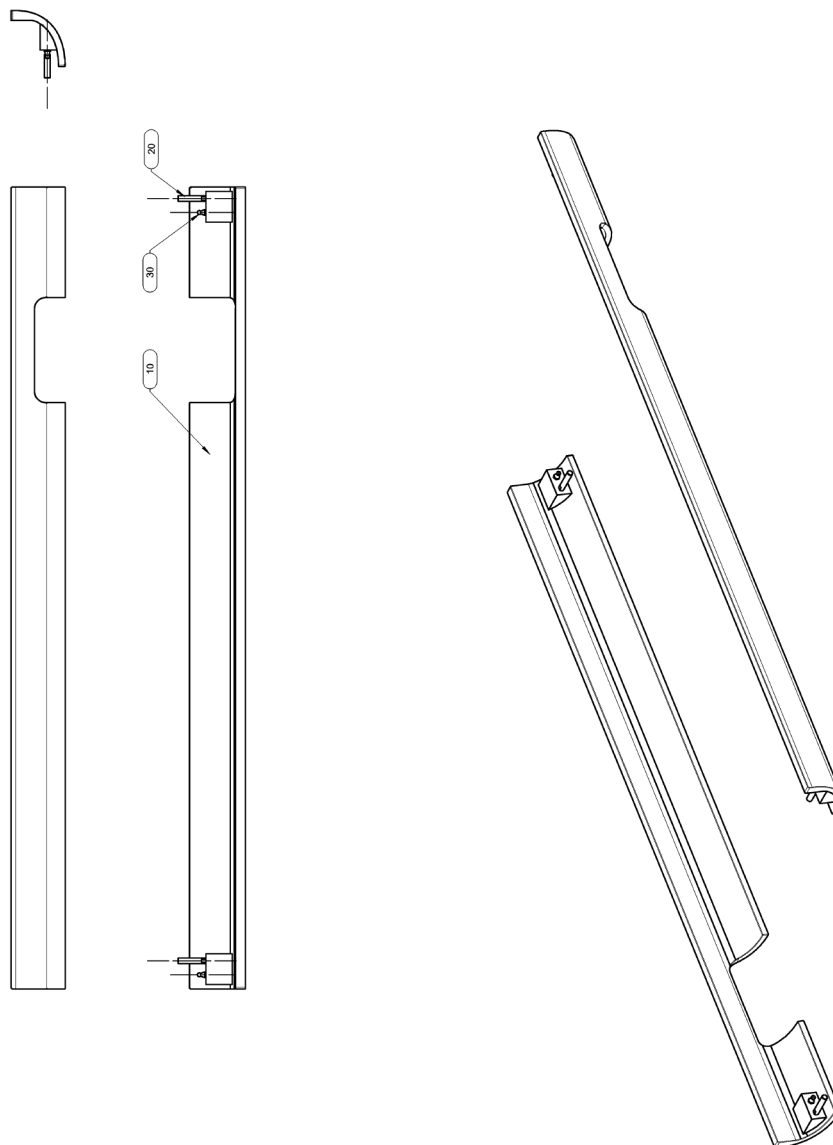


## 1.38

### 7273977 Clip below MS4 MS-Connection complete

Pos.	Part no.	Designation	Qty.	UQ	A	Page
0010	7273975	Clip MS4 MS-Connection	1	PCE	E	
0020	7138442	Guiding thorn	2	PCE	E	
0030	7042766	Metal-/plastic combination Ball-headed pin with external thread d=7mm	2	PCE	E	





## 1.39

### 7274904 suction cup cpl

Pos.	Part no.	Designation	Qty.	UQ	A	Page
0010	3390609	Hexagon head bolt ISO4014-M6x30-A2-70	2	PCE	N	
0020	2143523	Hexagon head bolt ISO4017-M6x25-A2-70	4	PCE	N	
0030	7265360	vacuum cup FGA 11 SI-55 NO16	24	PCE	V	
0040	7170294	Mounting sleeve for scraper D40	1	PCE	E	
0050	7170302	Scraper AUASOBSF 40x48x7- 95AU21730	1	PCE	V	
0070	7170552	Connecting lever, suction pad drive	1	PCE	E	
0080	2143461	Hexagon socket head cap screw ISO4762-M4x20-A2-70	4	PCE	N	
0090	7265330	suction pad plate, lower level D4,6	2	PCE	E	
0100	2143466	Hexagon socket head cap screw ISO4762-M5x16-A2-70	2	PCE	N	
0110	7170561	Mounting bracket, suction pad drive	1	PCE	E	
0120	2143483	Hexagon socket head cap screw ISO4762-M8x16-A2-70	6	PCE	N	
0130	2143484	Hexagon socket head cap screw ISO4762-M8x20-A2-70	2	PCE	N	
0140	7170562	Linear ball bearing with flange D40mm	1	PCE	N	
0150	7244366	Electrical parts, separation module	1	PCE	E	256
0160	7265324	Suction cup plate up. level G1/8	1	PCE	E	
0170	7265327	suction pad plat, middle level D4,6	2	PCE	E	
0180	7155330	Grease nipple fixing tube	1	PCE	E	
0190	7284098	Parallel pin ISO2338-4m6x20-A1	6	PCE	N	
0200	7265328	connecting duct suction cup ID 4,6	1	PCE	E	
0210	7265351	vacuum cup nipple	24	PCE	E	
0220	7265337	Section cup plate for push in fitting G1/8	1	PCE	E	
0230	7357646	drive ihXZ3-25KQBO+guide - suction pad	1	PCE	-	258
0240	7251044	Grease nipple DIN71412 B H3 M5x0.8 90deg	1	PCE	N	



### 1.39.1

#### 7244366 Electrical parts, separation module

Pos.	Part no.	Designation	Qty.	UQ	A	Page
0010	7278662	PU hose d = 8mm / 5mm transparent 8bar	0.050	MTR	N	
0020	7278662	PU hose d = 8mm / 5mm transparent 8bar	0.050	MTR	N	
0030	7278662	PU hose d = 8mm / 5mm transparent 8bar	0.050	MTR	N	
0040	7278662	PU hose d = 8mm / 5mm transparent 8bar	0.050	MTR	N	
0050	7278662	PU hose d = 8mm / 5mm transparent 8bar	0.050	MTR	N	
0060	7278662	PU hose d = 8mm / 5mm transparent 8bar	0.050	MTR	N	
0070	7278662	PU hose d = 8mm / 5mm transparent 8bar	0.050	MTR	N	
0080	7278662	PU hose d = 8mm / 5mm transparent 8bar	0.050	MTR	N	
0090	7278662	PU hose d = 8mm / 5mm transparent 8bar	0.050	MTR	N	
0100	7278662	PU hose d = 8mm / 5mm transparent 8bar	0.050	MTR	N	
0110	7278662	PU hose d = 8mm / 5mm transparent 8bar	0.050	MTR	N	
0120	7278662	PU hose d = 8mm / 5mm transparent 8bar	0.025	MTR	N	
0130	7278662	PU hose d = 8mm / 5mm transparent 8bar	0.025	MTR	N	
0140	7278662	PU hose d = 8mm / 5mm transparent 8bar	0.025	MTR	N	
0150	7278662	PU hose d = 8mm / 5mm transparent 8bar	0.025	MTR	N	
0160	7278662	PU hose d = 8mm / 5mm transparent 8bar	0.025	MTR	N	
0170	7278662	PU hose d = 8mm / 5mm transparent 8bar	0.025	MTR	N	
0180	7278662	PU hose d = 8mm / 5mm transparent 8bar	0.025	MTR	N	
0190	7278662	PU hose d = 8mm / 5mm transparent 8bar	0.025	MTR	N	
0200	7278662	PU hose d = 8mm / 5mm transparent 8bar	0.025	MTR	N	
0210	7278662	PU hose d = 8mm / 5mm transparent 8bar	0.025	MTR	N	
0220	7278662	PU hose d = 8mm / 5mm transparent 8bar	0.025	MTR	N	
0230	7278662	PU hose d = 8mm / 5mm transparent 8bar	0.025	MTR	N	

---

without figure

## 1.39.2

### 7357646 drive ihXZ3-25KQBO+guide - suction pad

Pos.	Part no.	Designation	Qty.	UQ	A	Page
0010	7355857	AMK-Drive ihXZ3-0.5-10-25KQBO	1	PCE	E	
0020	2143470	Hexagon socket head cap screw ISO4762-M5x35-A2-70	4	PCE	N	
0030	7155321	Guide block	1	PCE	E	
0040	2146452	Rolling bearing DIN 625-6000-2RS	1	PCE	N	
0050	7155313	Guide block	1	PCE	E	
0060	7155411	Housing	1	PCE	E	
0070	7155302	Actuator drive clamping lever	1	PCE	E	
0080	7154412	Actuator drive guide carriage	1	PCE	E	
0090	7169381	Guide spindle	2	PCE	E	
0100	7155442	Housing movable small SEZ3 10	2	PCE	E	
0110	7155443	Housing movable big SEZ3 10	1	PCE	E	
0120	7152168	Ball bushing	2	PCE	N	
0130	7155428	Housing	2	PCE	E	
0140	7274262	MISUMI Europa GmbH adjusting screw GDSMSB8-18-F12-M6	2	PCE	N	
0150	2143237	COUNTERSUNK SCREW DIN7991-M3X6-8.8	14	PCE	N	
0160	2143466	Hexagon socket head cap screw ISO4762-M5x16-A2-70	6	PCE	N	
0170	7186180	Seeger circlip JV19	2	PCE	N	
0180	2143467	Hexagon socket head cap screw ISO4762-M5x20-A2-70	2	PCE	N	
0190	2143477	Hexagon socket head cap screw ISO4762-M6x20-A2-70	2	PCE	N	
0200	2141581	locking ring DIN 471-10x1-St	1	PCE	N	

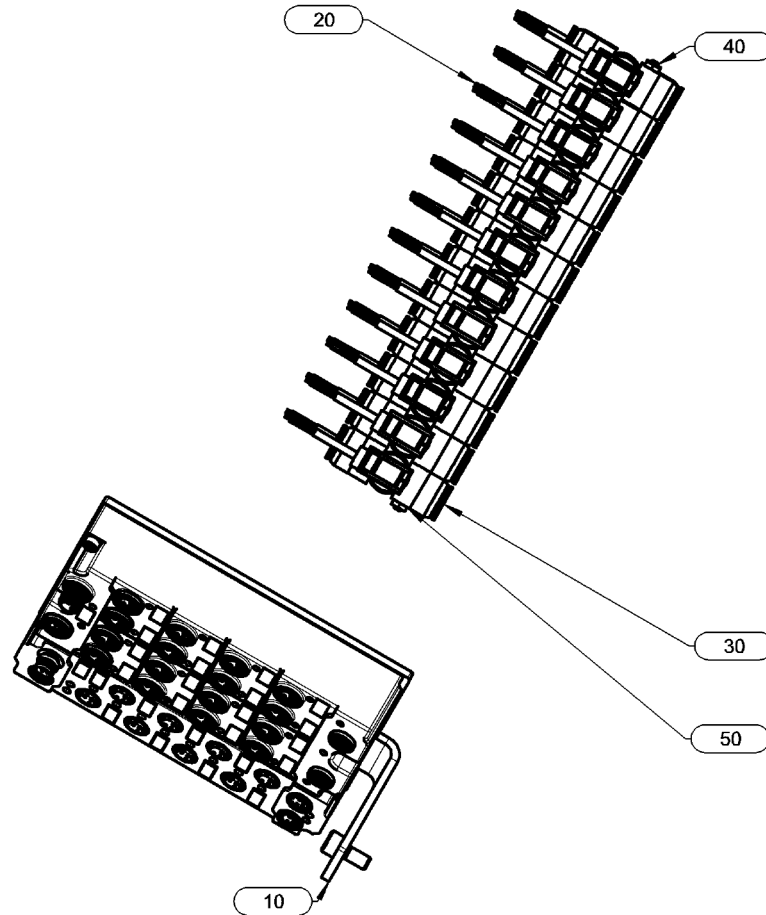


## 1.40

### 7275791 Option capsule separa. control FEC20 ja

Pos.	Part no.	Designation	Qty.	UQ	A	Page
0010	7221643	Closing stroke check IO modules	1	PCE	E	262
0020	7262734	Pressure Sensor -1..0bar 24VDC, 0,8m, M8	24	PCE	E	
0030	3743309	T-PLUG CONNECTOR QST-8-6	24	PCE	N	
0040	7249873	threaded bar M3 L=185 mm	2	PCE	E	
0050	3778507	HEX NUT; DIN439-M3-B-A2-70	4	PCE	N	

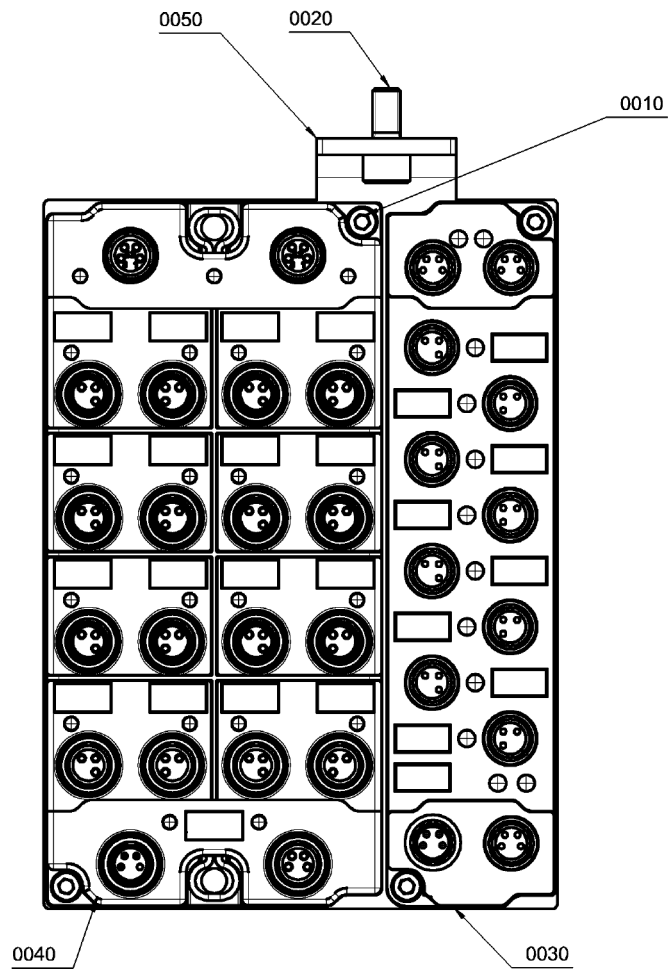




## 1.40.1

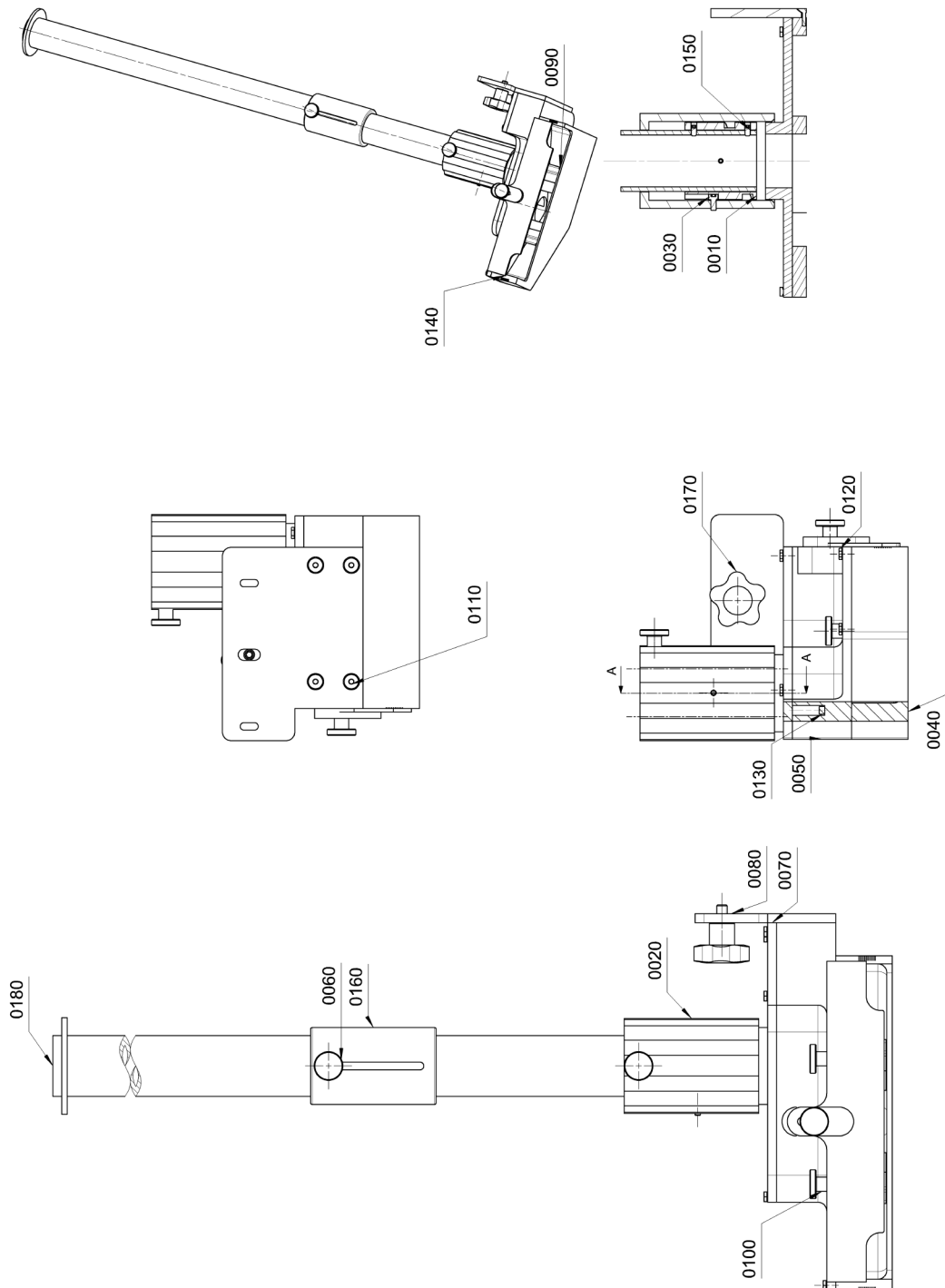
### 7221643 Closing stroke check IO modules

Pos.	Part no.	Designation	Qty.	UQ	A	Page
0010	2143452	Hexagon socket head cap screw ISO4762-M3x16-A2-70	4	PCE	N	
0020	2143465	Hexagon socket head cap screw ISO4762-M5x12-A2-70	1	PCE	N	
0030	7158757	Digital Input Module EP 1008-0001, 8x In , 3ms, IP67	1	PCE	E	
0040	7158987	Digital Input Module EP 1809-0021, 8x In , 3ms, IP67	1	PCE	E	
0050	7167874	Fixing plate t=3mm for IO modules	1	PCE	E	



## 1.41 7273997 extraction n.g.K. FEC20 complete

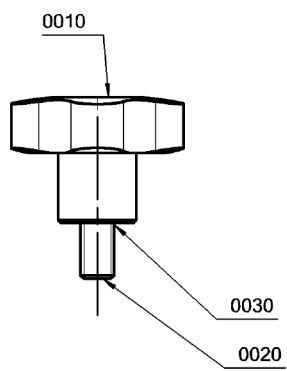
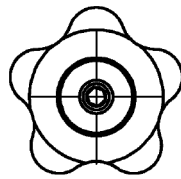
Pos.	Part no.	Designation	Qty.	UQ	A	Page
0010	7275805	mounting ring right direction, top	1	PCE	E	
0020	7275782	Clamping lock exhaustion	1	PCE	E	
0030	2143448	Hexagon socket head cap screw ISO4762-M3x6-A2-70	1	PCE	N	
0040	7275699	exhaust bottom step	1	PCE	E	
0050	7275754	exhaust middle step	1	PCE	E	
0060	3743808	Knurled thumb screw DIN464-M4x10-A2	3	PCE	N	
0070	7275765	extraction upper step	1	PCE	E	
0080	7275772	Mounting plate, extraction n.g.K.	1	PCE	E	
0090	7276007	guide plate extraction nozzle n.g.K FEC20	2	PCE	E	
0100	2143401	Knurled thumb screw DIN464-M4x16-A2	2	PCE	N	
0110	2143762	COUNTERSUNK SCREW DIN7991-M4X10-A2-70	4	PCE	N	
0120	3716607	Hexagon head bolt ISO4017-M3x12-A2-70	6	PCE	N	
0130	2143453	Hexagon socket head cap screw ISO4762-M3x20-A2-70	3	PCE	N	
0140	7275749	slide extraction nozzle n.g.K FEC20	1	PCE	E	
0150	7201694	threaded pin ISO 4026 M3x6	3	PCE	N	
0160	7275837	slide air regulation	1	PCE	E	
0170	7276006	star grip screw M6x10VA	1	PCE	E	266
0180	7275885	exhaust Pipe with flange welded ASS	1	PCE	-	



### 1.41.1

#### 7276006 star grip screw M6x10VA

Pos.	Part no.	Designation	Qty.	UQ	A	Page
0010	7276013	Star grip GN 5337.4-32-M6-CL	1	PCE	N	
0020	3736808	grub screw ISO4026-M6x20-A2	1	PCE	N	
0030	7175579	Adhesive	0.100		E	

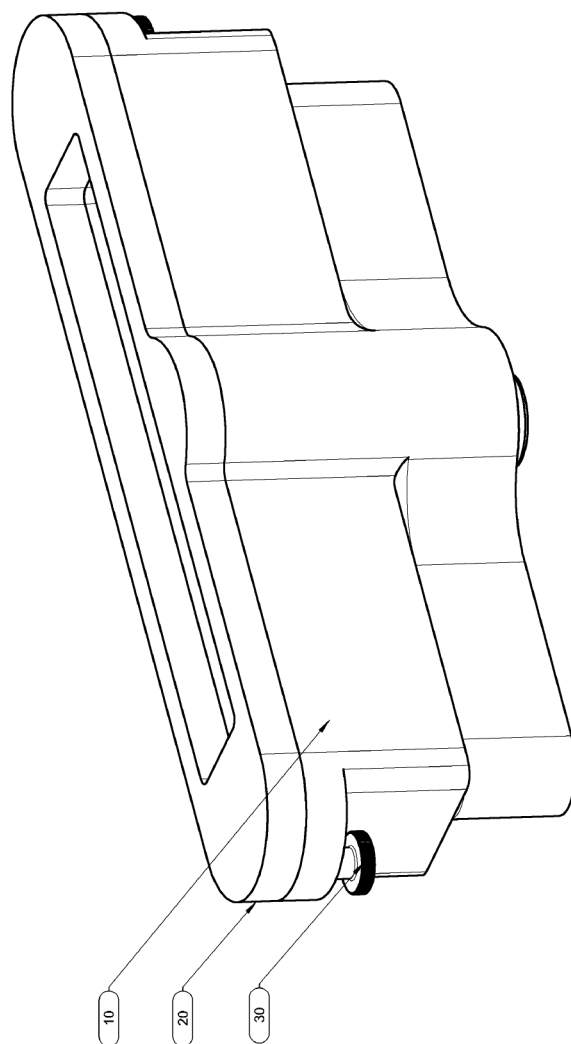


---

**1.42**  
**7274070 Suction temping-Pellet FEC20**

<b>Pos.</b>	<b>Part no.</b>	<b>Designation</b>	<b>Qty.</b>	<b>UQ</b>	<b>A</b>	<b>Page</b>
0010	7280698	Suction below Temping Pellet FEC20	2	PCE	E	
0020	7280701	Suction top temping Pellet FEC20	2	PCE	E	
0030	2143401	Knurled thumb screw DIN464-M4x16-A2	4	PCE	N	

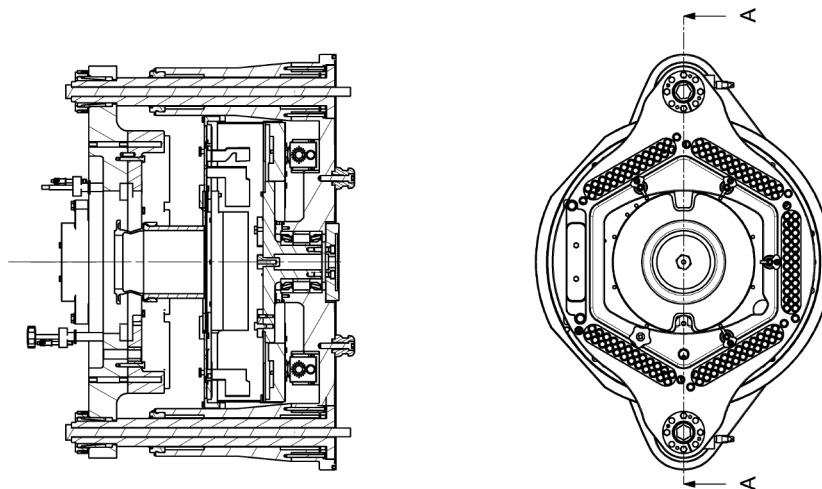
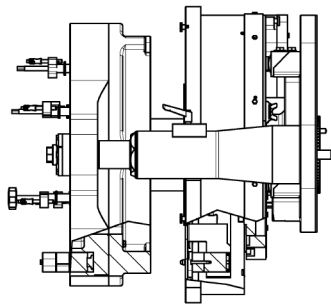
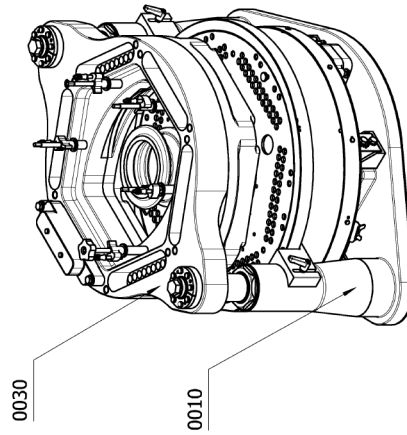




## 1.43

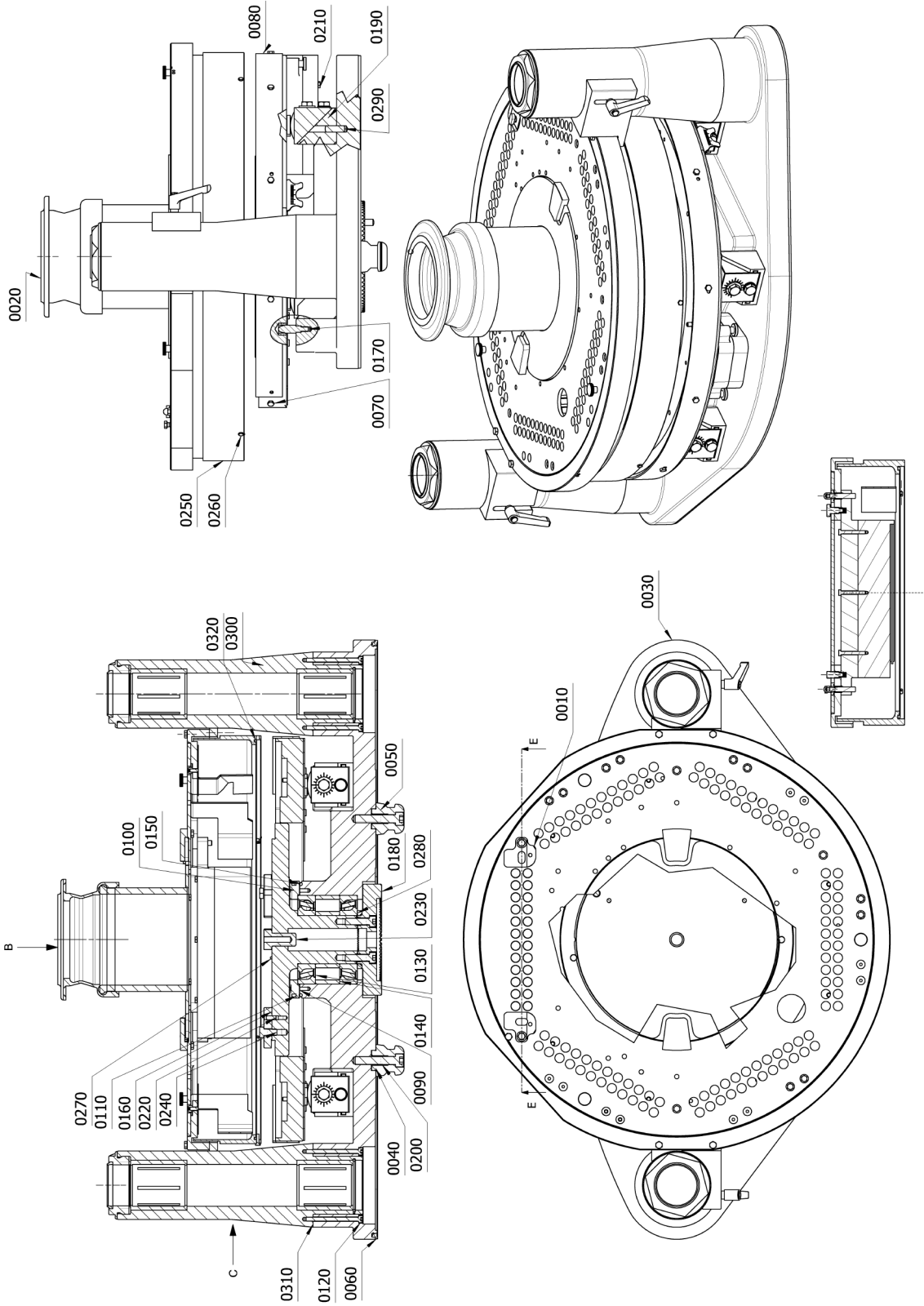
### 7186588 Tamping station with RFID, complete

Pos.	Part no.	Designation	Qty.	UQ	A	Page
0010	7184541	powder dosing unit, complete	1	PCE	E	272
0030	7184516	Compression unit, complete	1	PCE	-	296
0050	7265124	Distance holder	1	PCE	E	
0060	7265125	Fixing plate	2	PCE	E	



### 1.43.1 7184541 powder dosing unit, complete

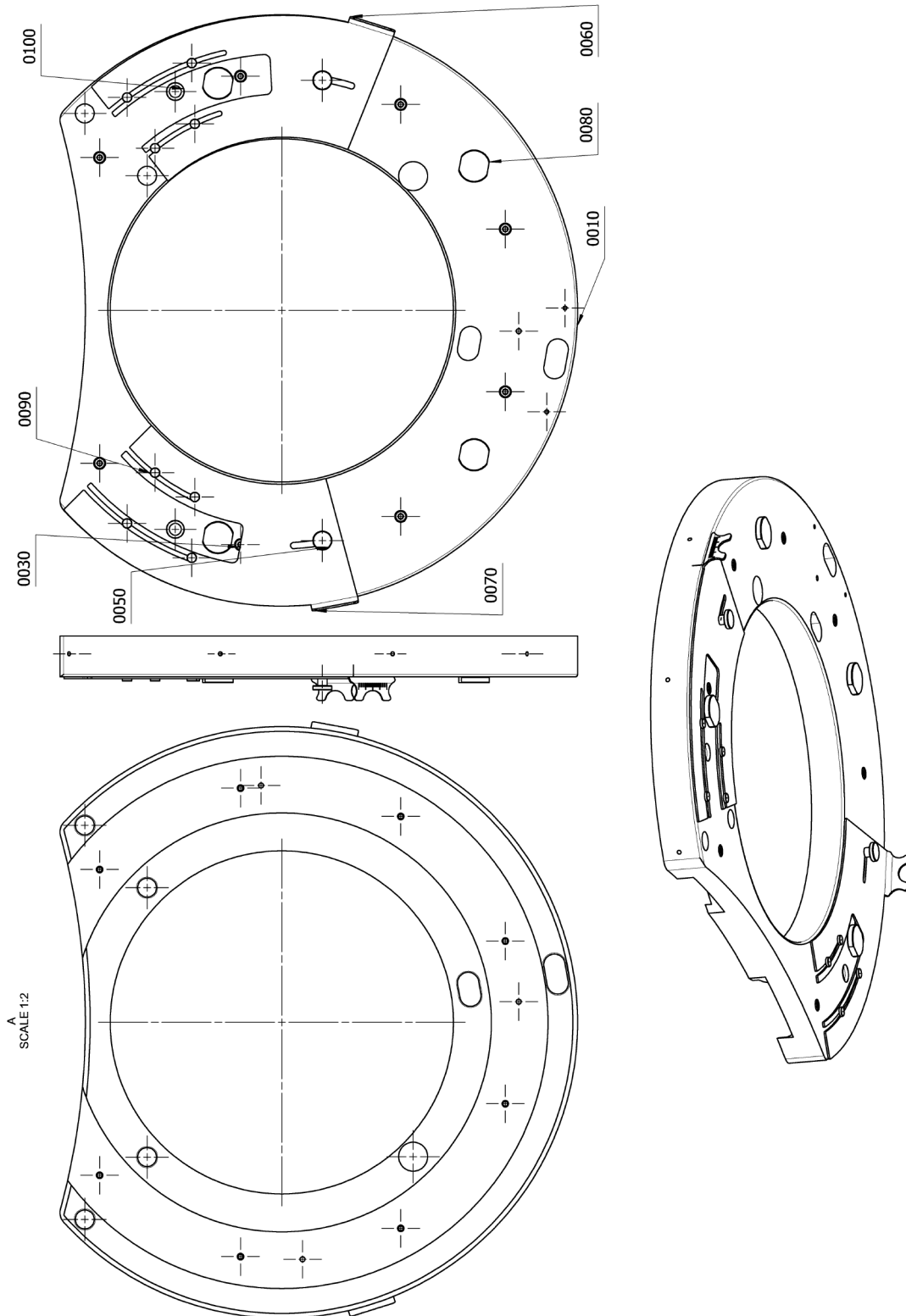
Pos.	Part no.	Designation	Qty.	UQ	A	Page
0010	7182752	Closing device	1	PCE	-	274
0020	7184024	Rake holder, complete	1	PCE	E	276
0030	7224821	Mounting plate	1	PCE	E	
0040	7237187	Clamping bolt SPA40 RF ID no. 0471151	1	PCE	N	
0050	7237186	Clamping bolt SPB 40 RF ID no. 0471152	1	PCE	N	
0060	7219169	sealing profile cover plate	1.770	MTR	E	
0070	7027168	Hexagon head bolt ISO4017-M4x12-A2-70	9	PCE	E	
0080	7184257	Silicone strip 33x2	1	PCE	E	
0090	2143772	COUNTERSUNK SCREW DIN7991-M5X20-A2-70	6	PCE	N	
0100	7167833	Bearing cap	1	PCE	E	
0110	7167849	Sealing ring PUR 08074-135x149.4x9	1	PCE	E	
0120	7184616	Hexagon socket head cap screw ISO4762-M5x65-A2-70	8	PCE	N	
0130	7167857	Angular contact ball bearing FAG 7212-B-2RS-TVP-UL	2	PCE	N	
0140	7169191	Bearing bush, pair	1	PCE	E	
0150	7242567	O-Ring 134x4 Material: 70EPDM 291 Position 655995/01 Item number: 49040854	1	PCE	N	
0160	7168052	Clamping lug	3	PCE	E	
0170	7319847	PIN LPALSC8-P9.9-B22-A15-E8-L6-SC8-MC6	2	PCE	N	
0180	7216825	Support plate with output flange	1	PCE	E	282
0190	7184185	Adjustment screw	4	PCE	E	284
0200	2143499	Hexagon socket head cap screw ISO4762-M10x50-A2-70	2	PCE	N	
0210	7183439	Compacting ring extraction unit	1	PCE	-	286
0220	7166102	HSH SCREW, TOL. SMALL M6 MATERIAL: RUST & ACID-RESISTANT STEEL DIM.: 5 M6X 12-DISO22338-NIRO	3	PCE	N	
0230	7184617	HEX M16xM8	1	PCE	E	
0240	7199519	Hexagon head bolt ISO4017-M8x20-A4-70	3	PCE	N	
0250	7295041	Powder pan	1	PCE	E	
0260	7003950	Hexagon head bolt ISO4017-M3x8-A4-70	6	PCE	E	
0270	7184620	"Centring taper pin. Material 1.4125; hardened" Item no. CKFSAAA8-P6-L8-B2-E4-A30-2-03 Misumi	2	PCE	N	
0280	7238569	Adjusting washer CIMRSF-D72-V60-T0.05 Material 1.4301	4	PCE	N	
0290	7291778	Parallel pin ISO2338-8m6x24-A1	8	PCE	N	
0300	7184310	Right lifting column, complete	1	PCE	-	288
0310	7184309	Left guide column, complete	1	PCE	-	292
0320	7328595	round cord, Rundschnur D3mm, MVQ40	1.560	MTR	E	



### 1.43.1.1

#### 7182752 Closing device

Pos.	Part no.	Designation	Qty.	UQ	A	Page
0010	7242215	Mounting	1	PCE	E	
0030	2143467	Hexagon socket head cap screw ISO4762-M5x20-A2-70	8	PCE	N	
0050	2143400	Knurled thumb screw DIN464-M4x12-A2	2	PCE	N	
0060	7182743	Slide, left	1	PCE	E	
0070	7182742	Slide, right	1	PCE	E	
0080	7182749	Counter bearing, adjustment	4	PCE	E	
0090	7242440	SCMPA-D4_0-P8_0-L10_0-B2_0_2_03	8	PCE	N	
0100	7345572	Centring bush Part number: JBAFC15-P10-L10-RS	2	PCE	E	

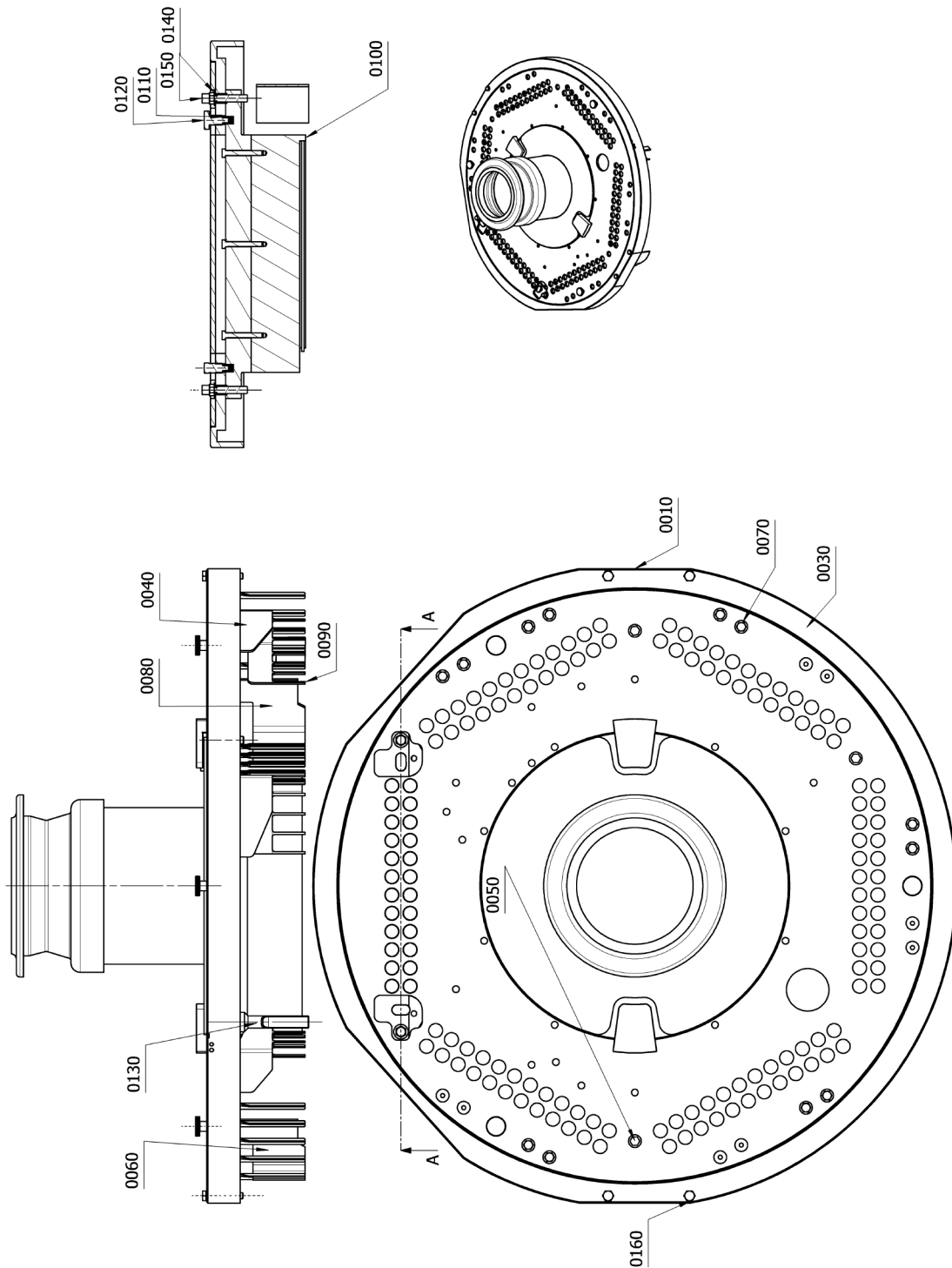


### 1.43.1.2

#### 7184024 Rake holder, complete

Pos.	Part no.	Designation	Qty.	UQ	A	Page
0010	7184020	Rake holder	1	PCE	E	
0030	7218163	Dust seal, complete	1	PCE	E	278
0040	7183858	Rake	3	PCE	E	
0050	7345605	Cup nut DIN1587-M4x0,7-A2	3	PCE	N	
0060	7184009	Guide plate 1	2	PCE	E	
0070	2143557	Hexagon head bolt ISO4017-M4x10-A2-70	12	PCE	N	
0080	7184010	Guide plate 2	1	PCE	E	
0090	7184011	Guide plate 3	3	PCE	E	
0100	7184023	Transfer station scraper, complete	1	PCE	E	280
0110	7246611	Stainless steel compression spring DF-0.55X 2 5.45X 12 D-VA Item number: VD-090J	2	PCE	N	
0120	7184018	Adjusting screw	2	PCE	E	
0130	7184019	Stop	1	PCE	E	
0140	7184028	Plain bearing A350FM_0608_10	2	PCE	N	
0150	7197727	Cup nut DIN1587-M5x0,8-A4	2	PCE	N	
0160	7331756	Hexagon head bolt ISO4017-M5x30-A2-70	4	PCE	N	

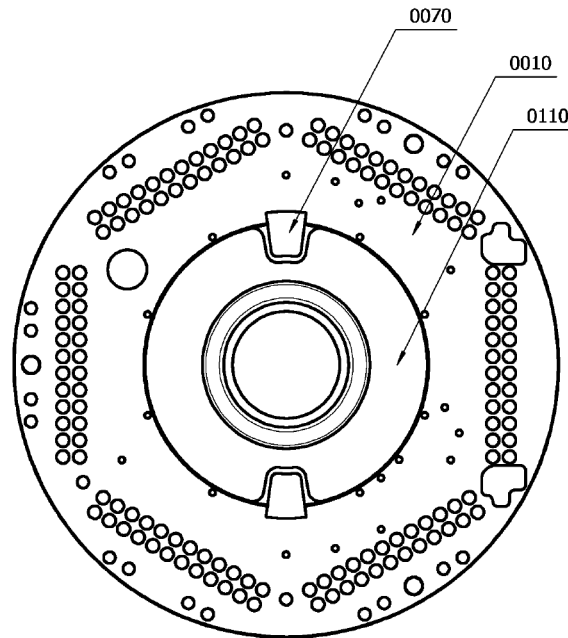
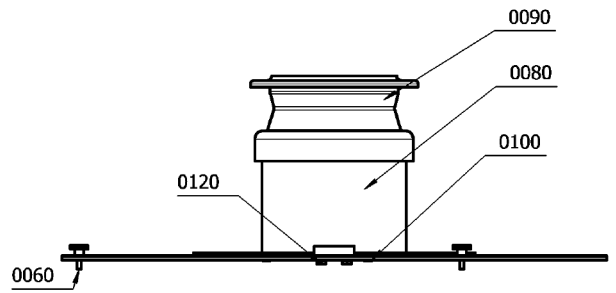




### 1.43.1.2.1

#### 7218163 Dust seal, complete

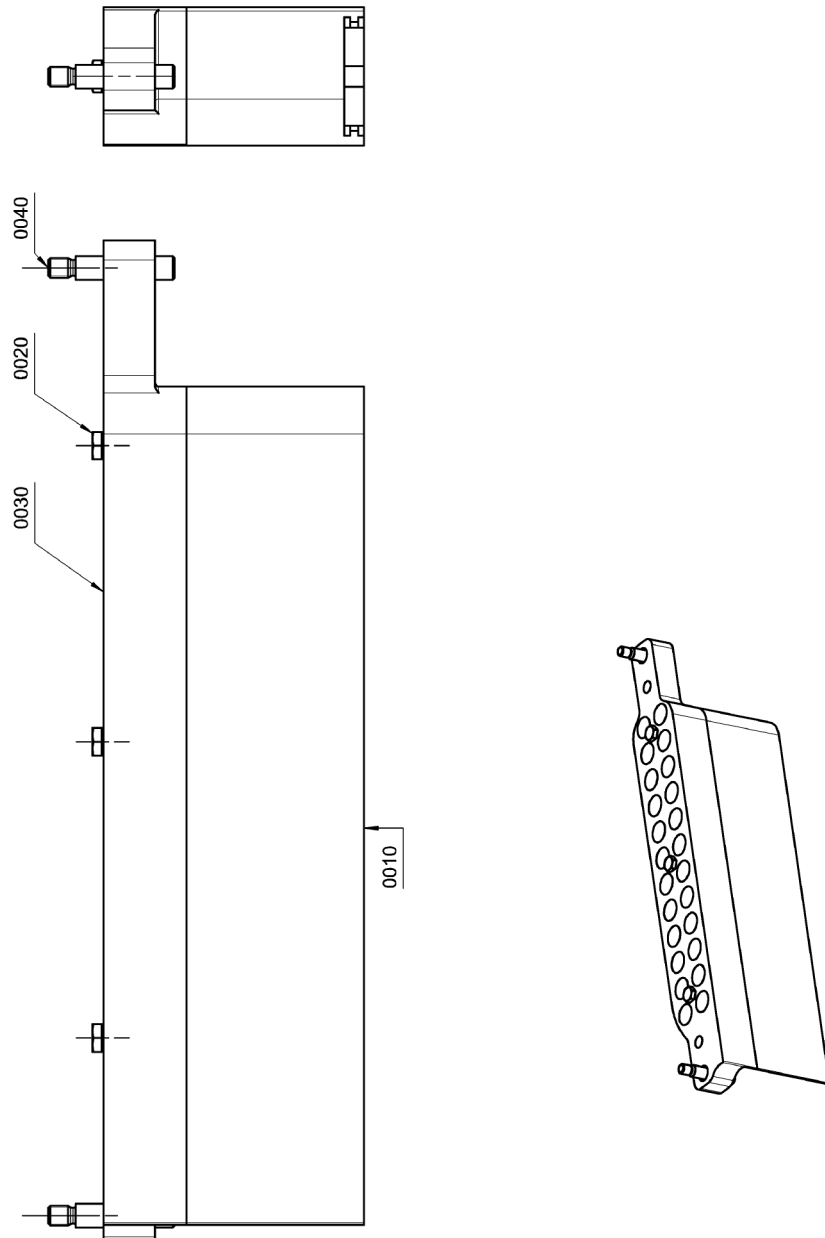
Pos.	Part no.	Designation	Qty.	UQ	A	Page
0010	7211507	Plexiglas dust cover for laser sensor	1	PCE	E	
0060	2143400	Knurled thumb screw DIN464-M4x12-A2	3	PCE	N	
0070	7354036	Stop	2	PCE	E	
0080	7211579	Pipe collar	1	PCE	E	
0090	3105241	RUBBER BOOT FOR FILL-O-MATIC	1	PCE	V	
0100	2143557	Hexagon head bolt ISO4017-M4x10-A2-70	3	PCE	N	
0110	7218130	Pipe fixing sleeve	1	PCE	E	
0120	2143560	Hexagon head bolt ISO4017-M5x10-A2-70	4	PCE	N	



### 1.43.1.2.2

#### 7184023 Transfer station scraper, complete

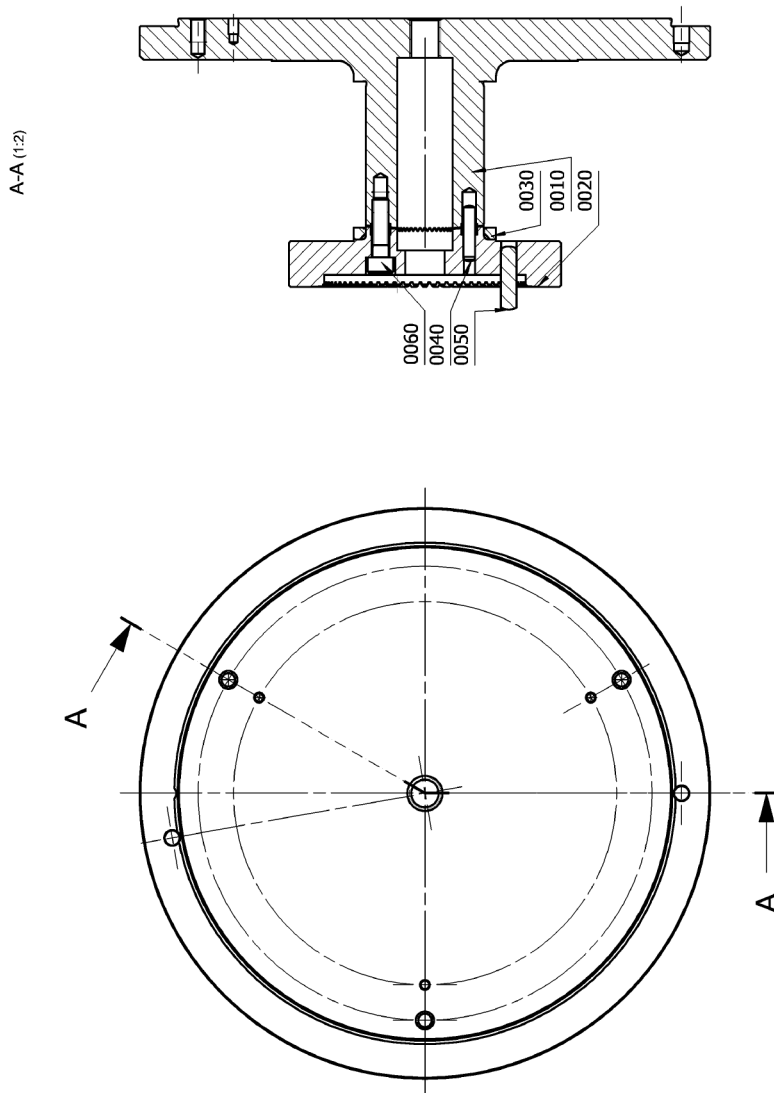
Pos.	Part no.	Designation	Qty.	UQ	A	Page
0010	7184012	Transfer station scraper	1	PCE	E	
0020	7243636	SCREW 6K-M 4 30VA-DIN933	3	PCE	N	
0030	7184014	Cover plate	1	PCE	E	
0040	7184021	Guide	2	PCE	E	



### 1.43.1.3

#### 7216825 Support plate with output flange

Pos.	Part no.	Designation	Qty.	UQ	A	Page
0010	7246935	Support plate	1	PCE	E	
0020	7246988	Output flange	1	PCE	E	
0030	7247391	Adapter ring	1	PCE	E	
0040	7235605	STRAIGHT PIN DIN 7 - 6m6x28-A4	1	PCE	N	
0050	7247502	Dowel pin DIN6325 - A - 8x32	1	PCE	N	
0060	2143486	Hexagon socket head cap screw ISO4762-M8x30-A2-70	6	PCE	N	

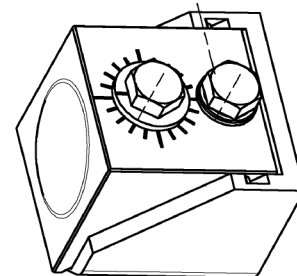
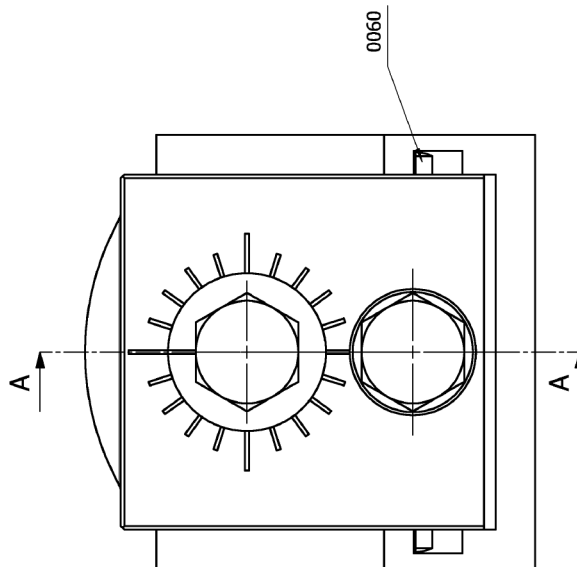
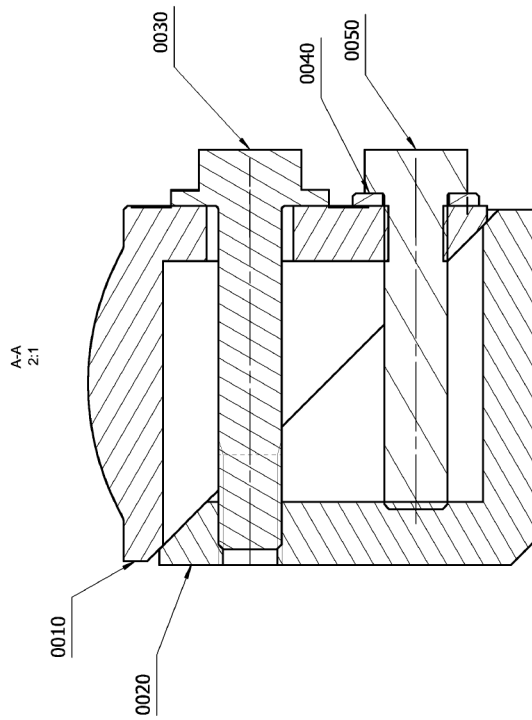


### 1.43.1.4

#### 7184185 Adjustment screw

Pos.	Part no.	Designation	Qty.	UQ	A	Page
0010	7184183	Slide top part	4	PCE	E	
0020	7184182	Slide bottom part	4	PCE	E	
0030	7184184	Adjustment screw, M8x1	4	PCE	E	
0040	2143366	washer ISO7089-8-A2	4	PCE	N	
0050	7184187	Screw DIN961 M8x1-40, A2	4	PCE	N	
0060	7027165	Straight pin ISO 22338	16	PCE	N	





### 1.43.1.5

#### 7183439 Compacting ring extraction unit

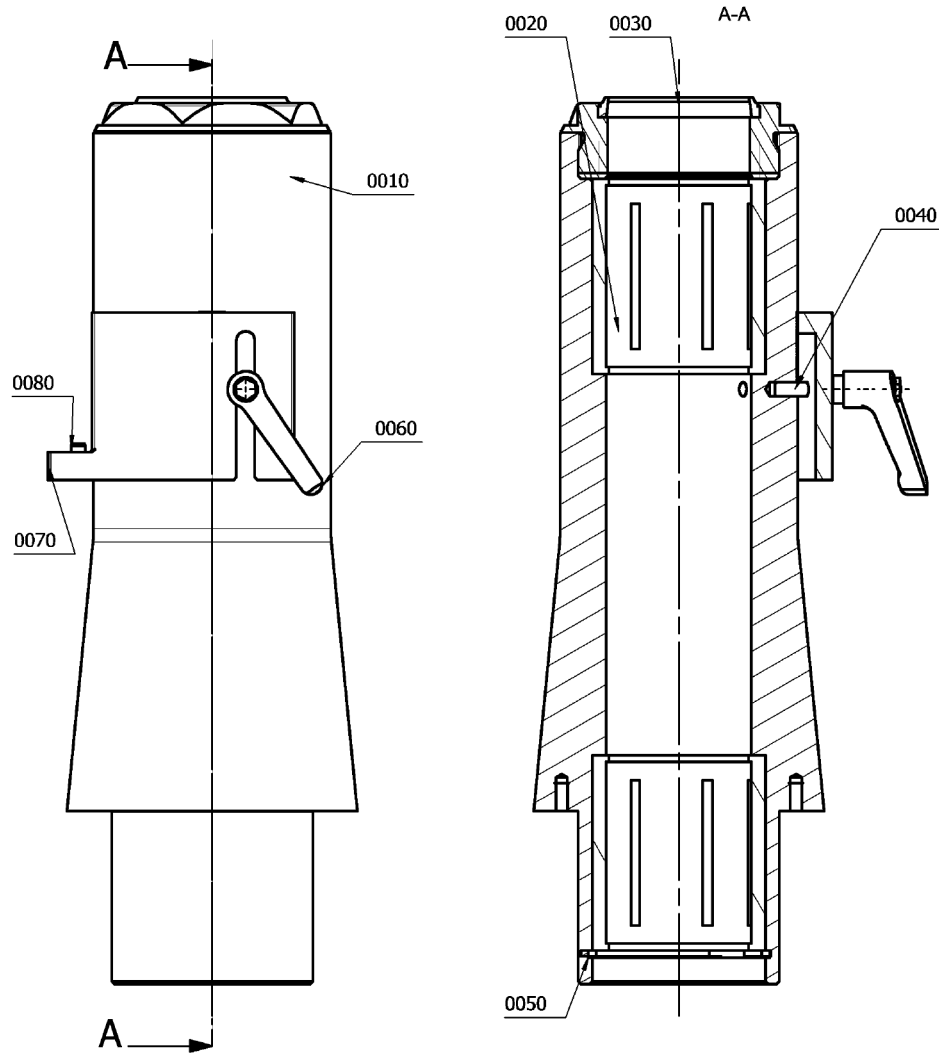
Pos.	Part no.	Designation	Qty.	UQ	A	Page
0010	7183440	Extraction plate	1	PCE	E	
0020	7183441	Suction flange	1	PCE	E	
0030	7183442	Pipe 35x45x37.5	1	PCE	E	
0040	2143402	Knurled thumb screw DIN464-M4x20-A2	2	PCE	N	
0050	2143401	Knurled thumb screw DIN464-M4x16-A2	1	PCE	N	
0060	3700380	Hexagon head bolt ISO4017-M4x25-A4-70	4	PCE	N	



### 1.43.1.6

#### 7184310 Right lifting column, complete

Pos.	Part no.	Designation	Qty.	UQ	A	Page
0010	7184308	Guide column	1	PCE	E	
0020	7152169	Ball bushing	2	PCE	N	
0030	7184307	Lifting spindle seal	1	PCE	E	290
0040	7166102	HSH SCREW, TOL. SMALL M6 MATERIAL: RUST & ACID-RESISTANT STEEL DIM.: 5 M6X 12-DISO22338-NIRO	1	PCE	N	
0050	2141568	Locking ring DIN472-62x2-St	1	PCE	N	
0060	7301410	Stainless Steel-Hand lever GN 300.6-45-M6-25-AS	1	PCE	N	
0070	7184008	Slide, right	1	PCE	E	
0080	7266246	Parallel pin ISO2338-5m6x10-A4	1	PCE	N	

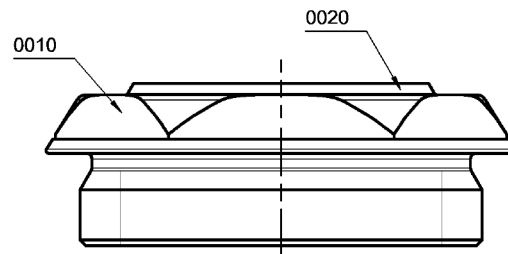


---

### 1.43.1.6.1

#### 7184307 Lifting spindle seal

Pos.	Part no.	Designation	Qty.	UQ	A	Page
0010	7184304	Scraper mount	1	PCE	E	
0020	7184305	Scraper Item number:Z067098 TYPE: Scraper AUASOBSF 50.00x58.00x7.00 95AU21730 CNC	1	PCE	V	



### 1.43.1.7

#### 7184309 Left guide column, complete

Pos.	Part no.	Designation	Qty.	UQ	A	Page
0010	7184308	Guide column	1	PCE	E	
0020	7152169	Ball bushing	2	PCE	N	
0030	7184307	Lifting spindle seal	1	PCE	E	294
0040	7166102	HSH SCREW, TOL. SMALL M6 MATERIAL: RUST & ACID-RESISTANT STEEL DIM.: 5 M6X 12-DISO22338-NIRO	1	PCE	N	
0050	2141568	Locking ring DIN472-62x2-St	1	PCE	N	
0060	7301410	Stainless Steel-Hand lever GN 300.6-45-M6-25-AS	1	PCE	N	
0070	7184007	Slide, left	1	PCE	E	
0080	7266246	Parallel pin ISO2338-5m6x10-A4	1	PCE	N	

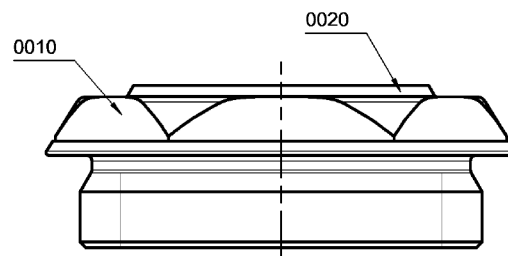




### 1.43.1.7.1

#### 7184307 Lifting spindle seal

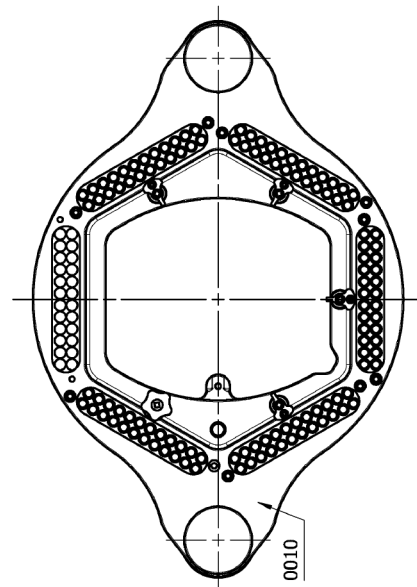
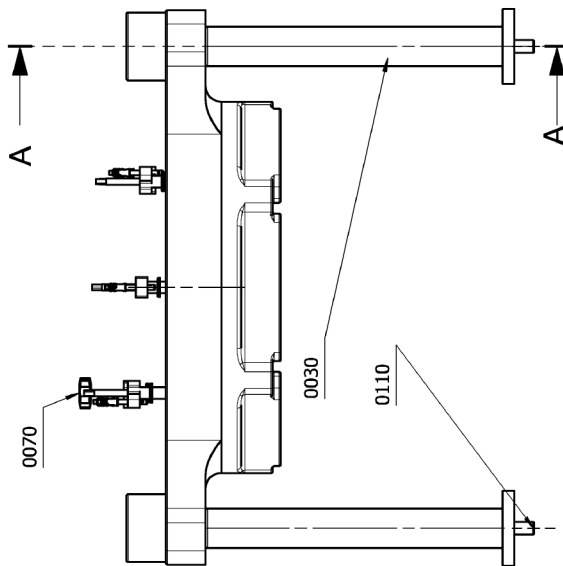
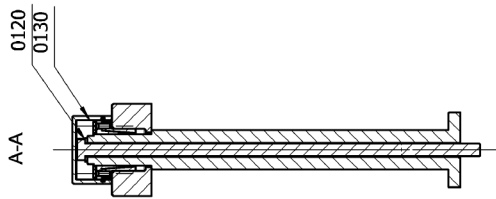
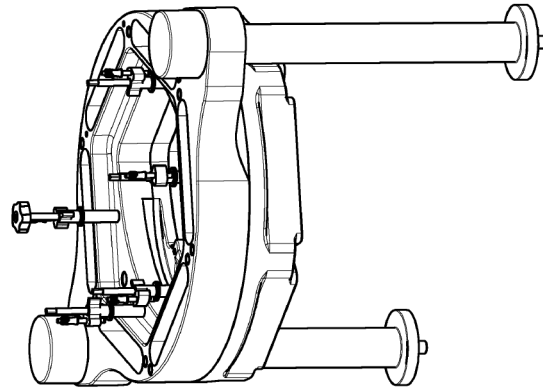
Pos.	Part no.	Designation	Qty.	UQ	A	Page
0010	7184304	Scraper mount	1	PCE	E	
0020	7184305	Scraper Item number:Z067098 TYPE: Scraper AUASOBSF 50.00x58.00x7.00 95AU21730 CNC	1	PCE	V	



## 1.43.2

### 7184516 Compression unit, complete

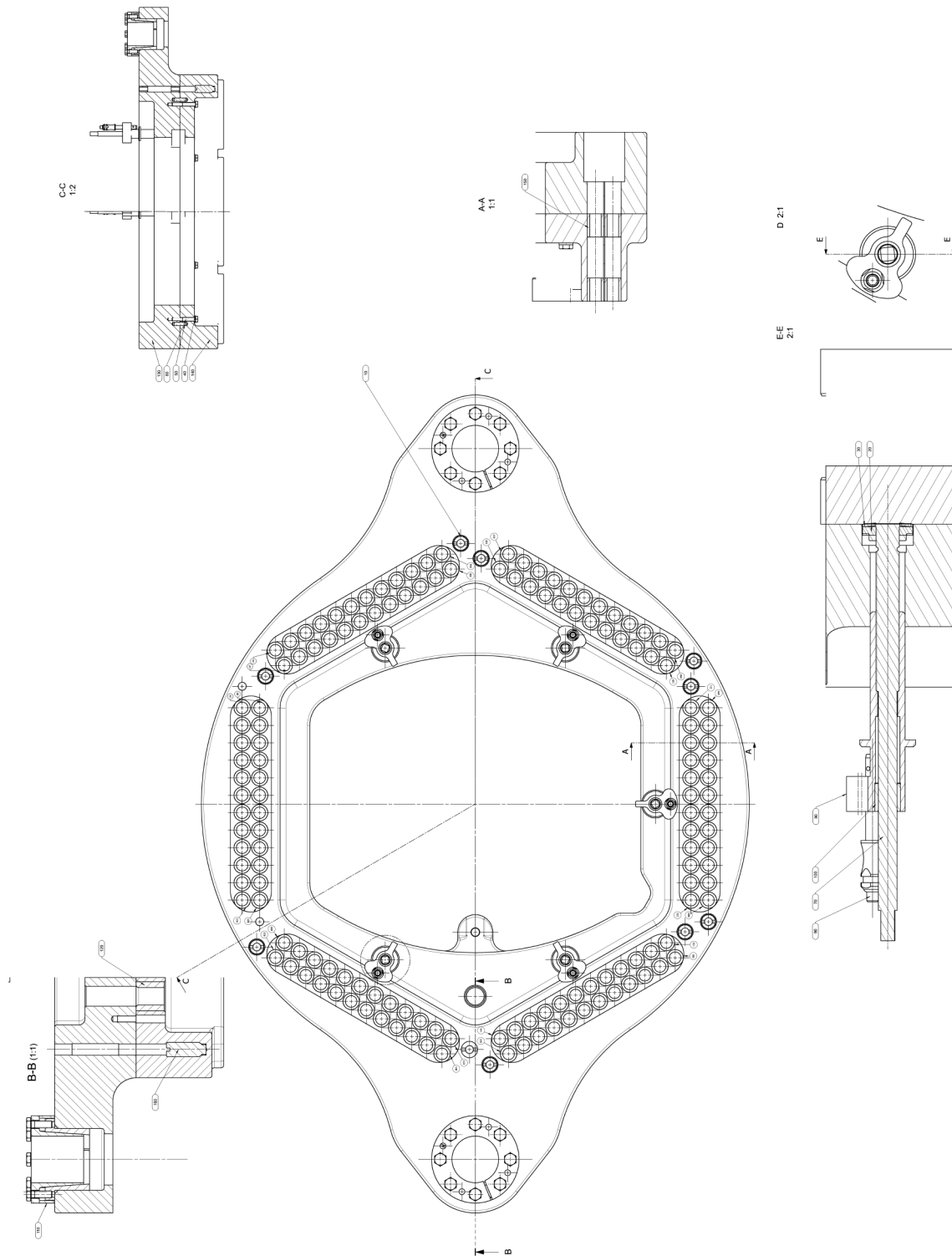
Pos.	Part no.	Designation	Qty.	UQ	A	Page
0010	7184511	Bridge, complete	1	PCE	-	298
0030	7184500	Lifting spindle	2	PCE	E	
0070	7184499	Operating handle for square pocket	1	PCE	N	
0110	7184399	Hexagon head screw DIN 931 A4-70 M16x500 with partial thread.	2	PCE	N	
0120	2143370	washer ISO7089-16-A2	2	PCE	N	
0130	7344271	cover clamping set complete	2	PCE	E	302



### 1.43.2.1

#### 7184511 Bridge, complete

Pos.	Part no.	Designation	Qty.	UQ	A	Page
0010	9147011	Plain bearing with FDA approval Dimensions: 12mm(14mm) x 15mm	19	PCE	V	
0020	7181502	Slide bush with collar 10-16-06	5	PCE	N	
0030	7181508	Dished spring 20x10.2x1.1	5	PCE	N	
0040	2143365	washer ISO7089-6-A2	6	PCE	N	
0050	9112921	Dowel pin DIN6325 - A - 6x20 Steel, through-hardened	2	PCE	N	
0060	9116307	Hexagon head bolt ISO4014-M6x40-A2-70	6	PCE	N	
0070	7274204	Spindle fine, compression unit	5	PCE	E	
0080	7274205	Locking pin, compression segment fine	5	PCE	E	
0090	7148696	Ball lock pin VA, D 6x30	5	PCE	N	
0100	7181450	Slide bush without collar 08-11-12	5	PCE	N	
0110	7187008	self-centering clamping set 40x53 complete	2	PCE	E	300
0120	7200440	Centring bush 15x25x24	1	PCE	N	
0130	7184170	Load cell bridge	1	PCE	E	
0140	7184040	Tamping pin guide	1	PCE	E	
0150	7182016	Plain bearing without collar 9.95x14x20	288	PCE	N	
0160	7279611	threaded bush compression unit	10	PCE	E	

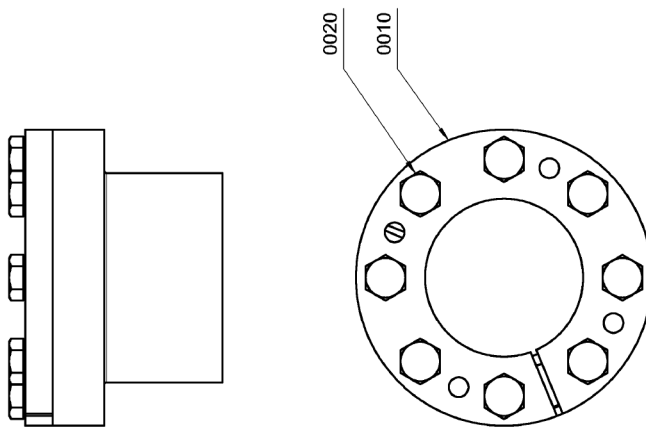
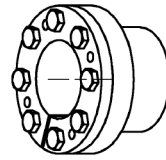


### 1.43.2.1.1

#### 7187008 self-centering clamping set 40x53 complete

Pos.	Part no.	Designation	Qty.	UQ	A	Page
0010	7184502	self-centering clamping set 40x53	2	PCE	N	
0020	7303977	Hexagon head bolt ISO4017-M6x18-A4-80	16	PCE	N	

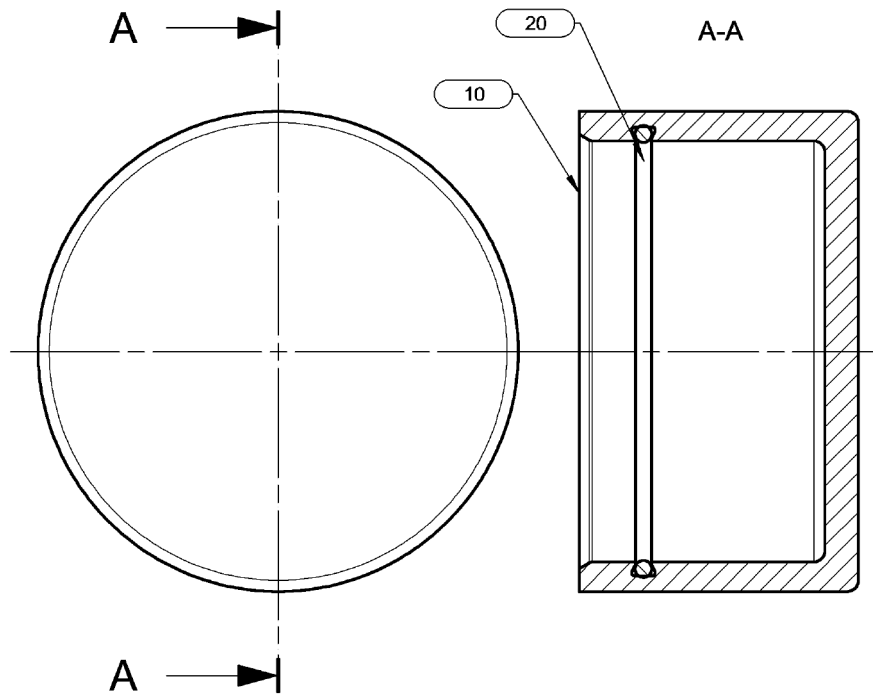




## 1.43.2.2

### 7344271 cover clamping set complete

Pos.	Part no.	Designation	Qty.	UQ	A	Page
0010	7344192	cuff clamping set	2	PCE	E	
0020	7328595	round cord, Rundschnur D3mm, MVQ40	0.510	MTR	E	
0030	7328595	round cord, Rundschnur D3mm, MVQ40	0.510	MTR	E	



## 1.44

### 7186748 RFID dosing disk, complete

Pos.	Part no.	Designation	Qty.	UQ	A	Page
0010	7170378	RFID-Connector for high-frequency-technics	1	PCE	E	
0020	7186701	Coupler mount	1	PCE	E	
0030	7186703	Coupler cover	1	PCE	E	
0040	3750809	Hexagon head bolt ISO4017-M4x35-A2-70	3	PCE	N	
0050	9122803	Hexagon socket head cap screw DIN7984-M3x8-A2-70	2	PCE	N	
0060	2142103	grub screw ISO4026-M3x3-45H-St	2	PCE	N	

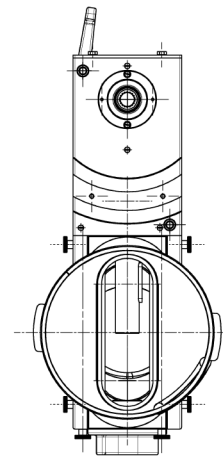
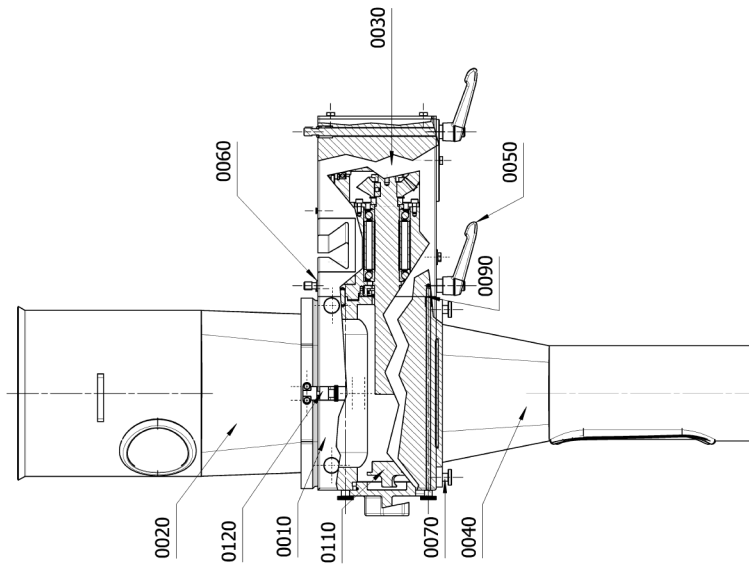
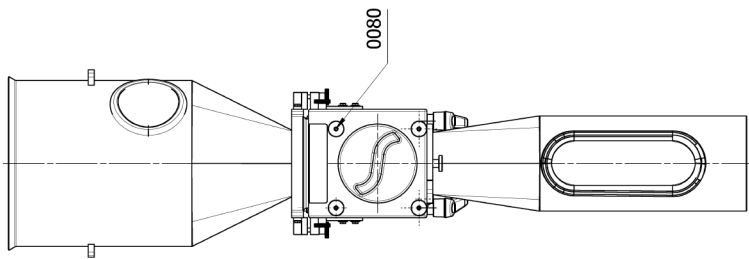
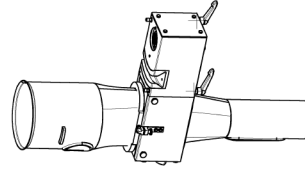
---

without figure

## 1.45

### 7184961 Feeder, complete

Pos.	Part no.	Designation	Qty.	UQ	A	Page
0010	7184957	Metering drum, complete	1	PCE	E	308
0020	7273704	filling cone, with query	1	PCE	E	310
0030	7184956	Deflection unit, complete	1	PCE	E	312
0040	7225274	Downpipe with inspection window	1	PCE	E	314
0050	7186181	Kipp clamping lever M8	2	PCE	E	
0060	2146884	O-Ring 6x2,5 NBR	2	PCE	V	
0070	2143402	Knurled thumb screw DIN464-M4x20-A2	2	PCE	N	
0080	7184976	Screw with knurled nut M4x205	4	PCE	E	
0090	2218394	O-RING (ROUND SEALING RING) 3.00X 1.00-BL-BN170	4	PCE	N	
0110	7185908	Handle	1	PCE	E	
0120	7318284	quick clamping	1	PCE	E	316



## 1.45.1

### 7184957 Metering drum, complete

Pos.	Part no.	Designation	Qty.	UQ	A	Page
0010	7184962	Transfer port housing	1	PCE	E	
0020	7184965	Bayonet cap	1	PCE	E	
0030	7184964	Insert for hopper	1	PCE	E	
0040	2143402	Knurled thumb screw DIN464-M4x20-A2	4	PCE	N	
0050	7222799	o-ring- 58,00X 2,00-70NBR	1	PCE	N	
0060	7027165	Straight pin ISO 22338	2	PCE	N	

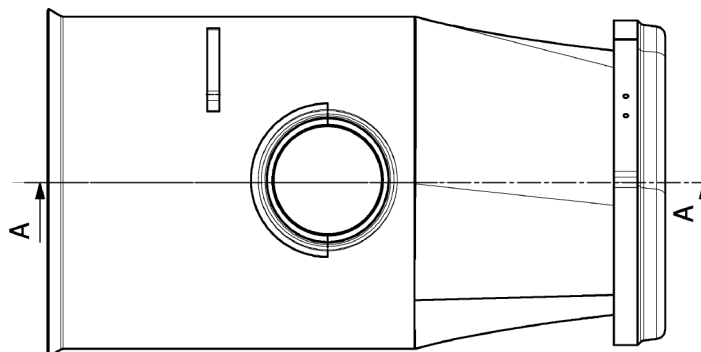
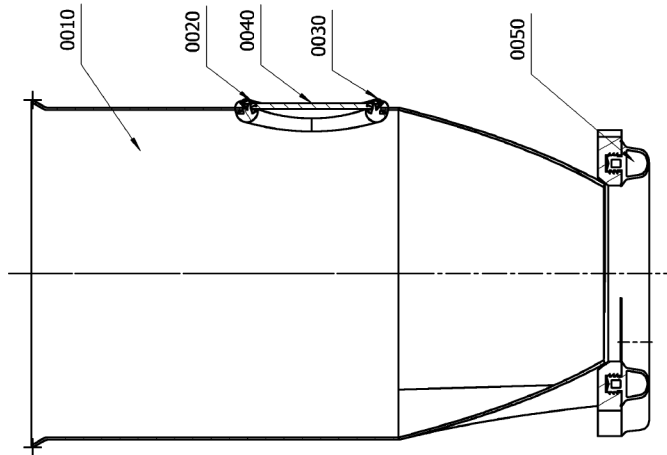
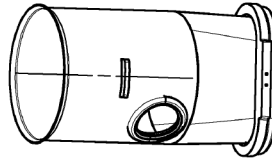




## 1.45.2

### 7273704 filling cone, with query

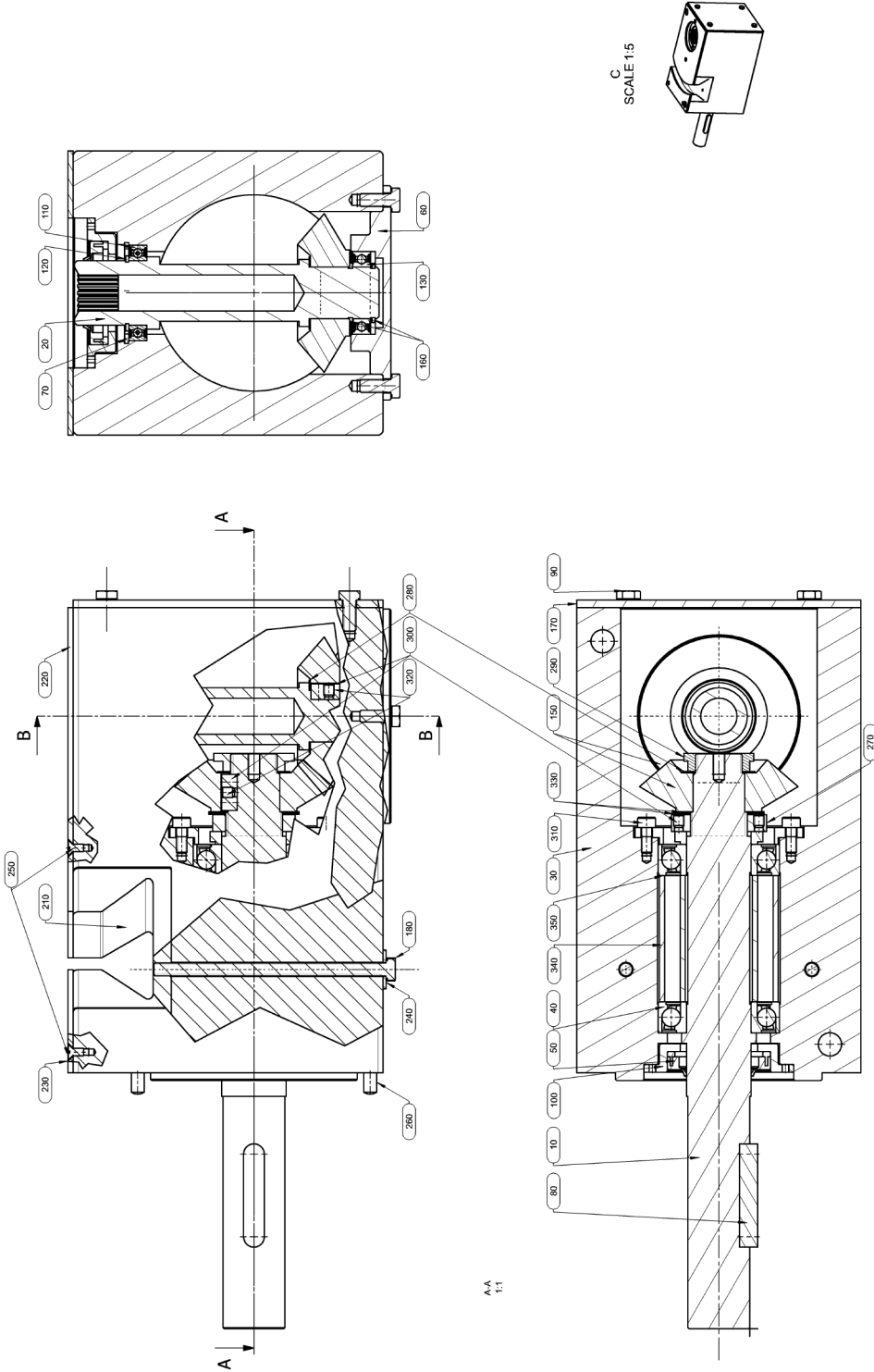
Pos.	Part no.	Designation	Qty.	UQ	A	Page
0020	7078407	Clamping profile	1	PCE	E	
0030	7008543	Filling profile for rubber section	0.220	MTR	N	
0040	3114233	sight glass for hopper	1	PCE	E	
0050	7186006	Sealing hopper	1	PCE	E	



### 1.45.3

#### 7184956 Deflection unit, complete

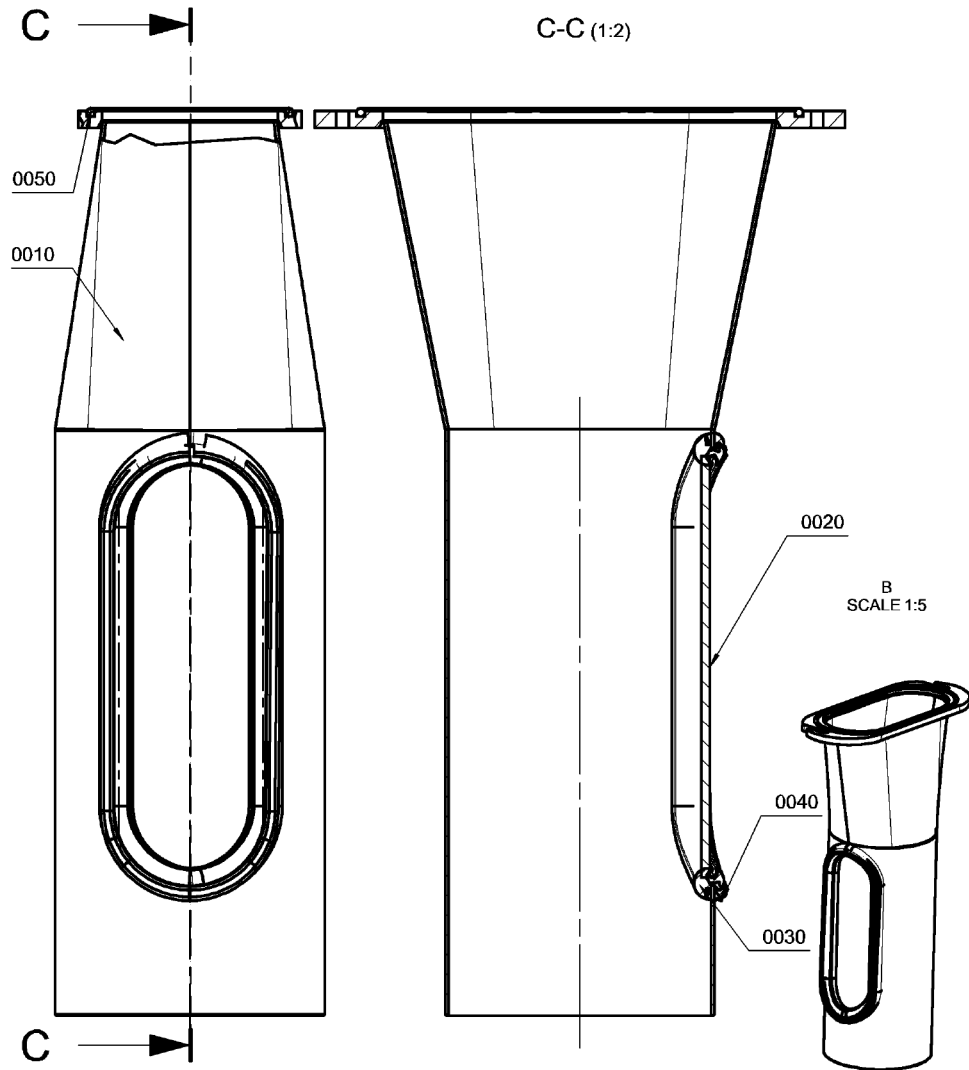
Pos.	Part no.	Designation	Qty.	UQ	A	Page
0010	7184944	Bevel gear shaft 1	1	PCE	E	
0020	7184945	Bevel gear shaft 2	1	PCE	E	
0030	7184946	Deflection gear housing	1	PCE	E	
0040	7207094	Angular contact ball bearing inafag 7005-B-2RS-TVP	2	PCE	N	
0050	7160098	Shaft sealing ring	2	PCE	V	
0060	7184949	Cover	1	PCE	E	
0070	7268425	Seeger circlip JV36	1	PCE	N	
0080	2142861	Feather key Material: steel Dimensions: A 8X 7X 40-DIN6885	1	PCE	N	
0090	2142314	Hexagon head bolt ISO4017-M5x12-8.8	6	PCE	N	
0100	7184955	Seal mount	2	PCE	E	
0110	3756807	DEEP GROOVE BALL BEARING 61805 2RS625 VA	1	PCE	N	
0120	7268426	Seeger circlip AV25	1	PCE	N	
0130	3756707	DEEP GROOVE BALL BEARING 61804 2RS625 VA	1	PCE	N	
0150	7184943	Acetal resin bevel gear module 3.5, 16 teeth	2	PCE	E	
0160	3777606	locking ring DIN 471-20x1,2-A2	2	PCE	N	
0170	7184950	Gearbox cover plate	1	PCE	E	
0180	7185204	HEXAGON SCREW ISO 4017 M5x90	2	PCE	N	
0190	7206454	Clamping ring	1	PCE	E	
0200	7206448	Clamping ring, outer	1	PCE	E	
0210	7184951	Pivot mounting	1	PCE	E	
0220	7184952	Sliding cover for gearbox	1	PCE	E	
0230	7184954	Sliding cover for mount	1	PCE	E	
0240	2143782	washer ISO7093-5-A2	2	PCE	N	
0250	2143629	COUNTERSUNK SCREW Stainless steel 3X 8 6-DIN963-A2-70	8	PCE	N	
0260	2143786	STRAIGHT PIN DIN7-5M6X 14 -NIRO	2	PCE	N	
0270	7206472	Clamping nut	1	PCE	E	
0280	7206562	Washer PCIMAS-D28-v23-T0.5	2	PCE	N	
0290	7206561	Nut, size 27	1	PCE	E	
0300	7206875	Rework parallel key	2	PCE	E	
0310	2143458	Hexagon socket head cap screw ISO4762-M4x10-A2-70	4	PCE	N	
0320	7103171	grub screw ISO4026-M4x5-A2	8	PCE	N	
0330	7207095	Adjusting washer PCIMRS25-35-0.5	2	PCE	N	
0340	7206876	Spring collet, pair	1	PCE	E	
0350	7268455	CIMRSF-D46.5-V41-T0.1 Material: VA	1	PCE	N	



## 1.45.4

### 7225274 Downpipe with inspection window

Pos.	Part no.	Designation	Qty.	UQ	A	Page
0010	7184971	Material downpipe	1	PCE	E	
0020	3135526	Viewing glass, oval; 151X51mm; for filling pipe; material: plexiglass	1	PCE	E	
0030	7096650	clamping profile for oval window filling pipe	1	PCE	E	
0040	7008543	Filling profile for rubber section	0.410	MTR	N	
0050	2146863	O-ring (round sealing ring) made of acrylonitrile-butadiene rubber 70shore a simrit-designation: 120.0 X 3.0 -70NBR/769	1	PCE	N	



---

## 1.45.5

### 7318284 quick clamping

Pos.	Part no.	Designation	Qty.	UQ	A	Page
0010	7328946	counter hook	2	PCE	E	
0020	7316034	clamping angle	2	PCE	E	
0030	7346252	cover screw RNCB5-6-25	2	PCE	N	
0040	7003950	Hexagon head bolt ISO4017-M3x8-A4-70	8	PCE	E	
0050	2143363	washer ISO7089-4-A2	4	PCE	N	

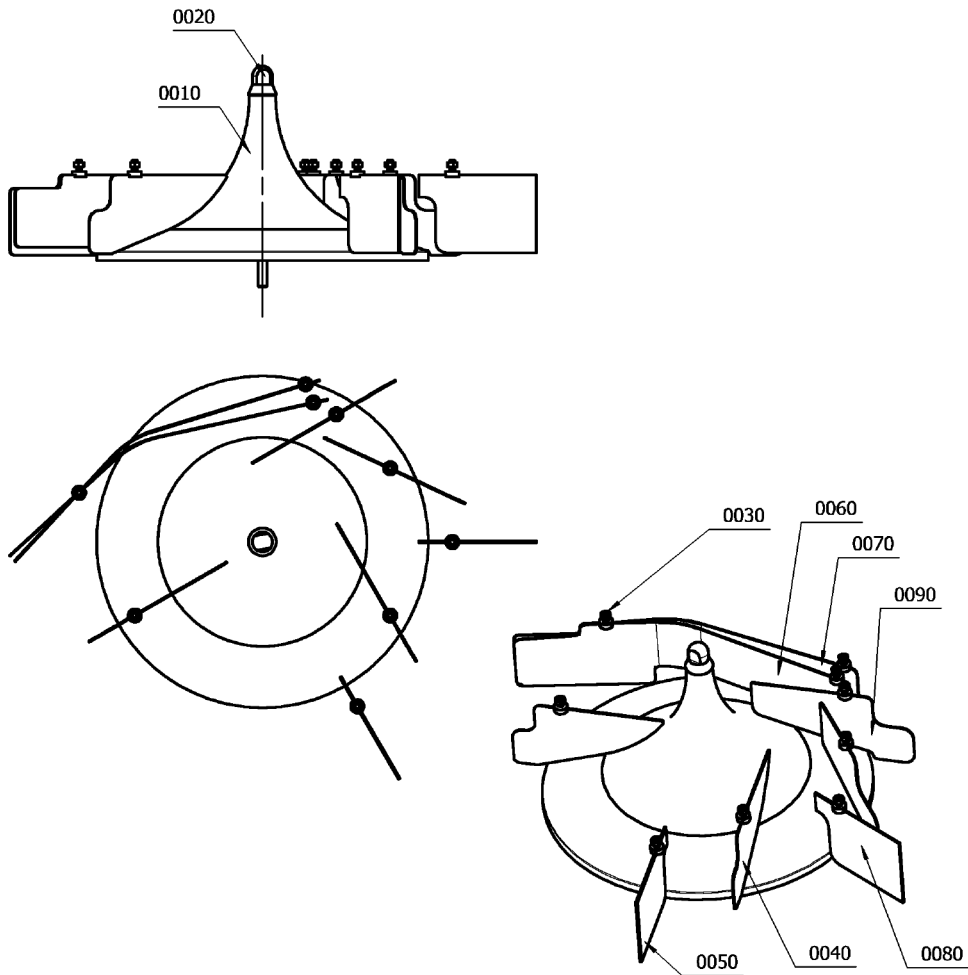




## 1.46

### 7222867 Distributor cone, flat

Pos.	Part no.	Designation	Qty.	UQ	A	Page
0010	7211368	POM cone	1	PCE	E	
0020	7183280	Clamping screw	1	PCE	E	
0030	2143602	Hexagon nut ISO4032-M5-A2-70	10	PCE	N	
0040	7211737	Conical return feeder 2, complete	2	PCE	E	
0050	7211736	Return feeder, complete	2	PCE	E	
0060	7211738	guiding sheet, long	1	PCE	E	
0070	7246342	Short deflector plate, complete	1	PCE	E	
0080	7246187	return conveyor 1, complete	1	PCE	E	
0090	7246404	Return conveyor 1.2 complete	1	PCE	E	



**1.47**  
**7280529 Toolbox FEC**

Pos.	Part no.	Designation	Qty.	UQ	A	Page
0010	3736406	UNIVERSAL TOOL CONTAINER	1	PCE	-	
0020	7280253	TORQUE WRENCH 2,5-25Nm - FEC40	1	PCE	N	
0030	7280513	grease gun PRELixx PRO 2014.1	2	PCE	N	
0040	7280515	Grease SKF LGWA2 420ml	1	PCE	N	
0050	7280516	Grease Klüber Staburags NBU 8 EP	1	PCE	N	
0060	7091709	switch cabinet key - square 8mm length 78mm	1	PCE	E	
0070	3703109	BOX WITH PARALLEL GAUGE BLOCKS 1, 2, 3, 4, 5, 8, 10, 17MM GRADE 2	1	PCE	N	
0110	7312007	Socket 13mm 1/4 DIN3120	1	PCE	N	
0120	3754807	extension 1/4 ,100LG	1	PCE	N	
0130	7318862	Grease gun GN-80M	1	PCE	E	
0140	7318863	Grease cartridge 70g G05	1	PCE	E	
0150	7339594	Combination wrench 5.5 mm DIN 3113 A	1	PCE	E	
0160	7339596	Feeler gauges 300 mm 13 blades 0.05-1mm	1	PCE	E	
0170	3768405	TORQUE WRENCH, (20-200 NM)	1	PCE	N	
0180	7342355	Ratchet socket 1/2, Plug-in square drive 14x181 mm		PCE	N	
0190	7340940	Screwdriver bit 14 mm 1/2 for hexagon	1	PCE	E	

---

without figure

## 1.48

### 7236270 19" terminal, complete

Pos.	Part no.	Designation	Qty.	UQ	A	Page
0001	7236284	Operator terminal housing, plastic, FEC	1	PCE	E	
0020	7174033	Display with glas and keyboard	1	PCE	E	
0030	7221559	SDL3 2x Connectionset TSC -> machine	1	PCE	E	
0040	7271223	Emergency stop + cabel witch plug	1	PCE	-	324
0050	7199463	USB-wall outlet A-A with 0,6m cable	1	PCE	E	
0060	7301731	M12x1 female 8pol straight	1	PCE	E	

---

without figure

## 1.48.1

### 7271223 Emergency stop + cabel witch plug

Pos.	Part no.	Designation	Qty.	UQ	A	Page
0010	9154663	EMERGENCY STOP Switch 2 NC	1	PCE	E	
0020	7123805	Sensor-/actuator-cable 2m PUR 8x0,25mm <sup>2</sup> with M12x1 plug 8-pos. straight	1	PCE	E	
0030	2153374	Receptacle 2,8x0,5mm; 0,3-1,5mm <sup>2</sup> , pre-insulated Packing unit = 1000 pcs	6	PCE	-	



---

without figure

---

**1.49**

**7243492 E-Parts FEC +HT =EXT**

---

<b>Pos.</b>	<b>Part no.</b>	<b>Designation</b>	<b>Qty.</b>	<b>UQ</b>	<b>A</b>	<b>Page</b>
0010	7351898	Handheld Terminal	1	PCE	E	

---

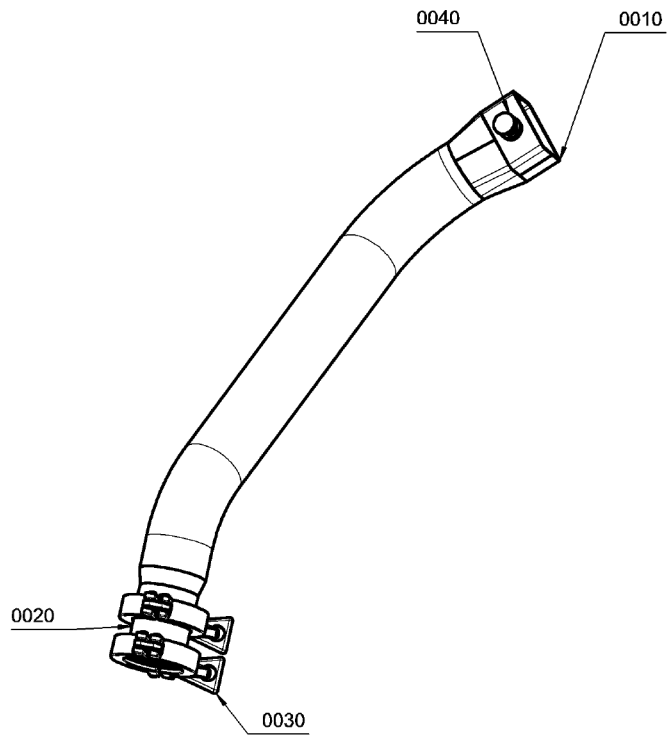
---

without figure

## 1.50

### 7243324 downpipe deduster KCP10 FEC40 complete

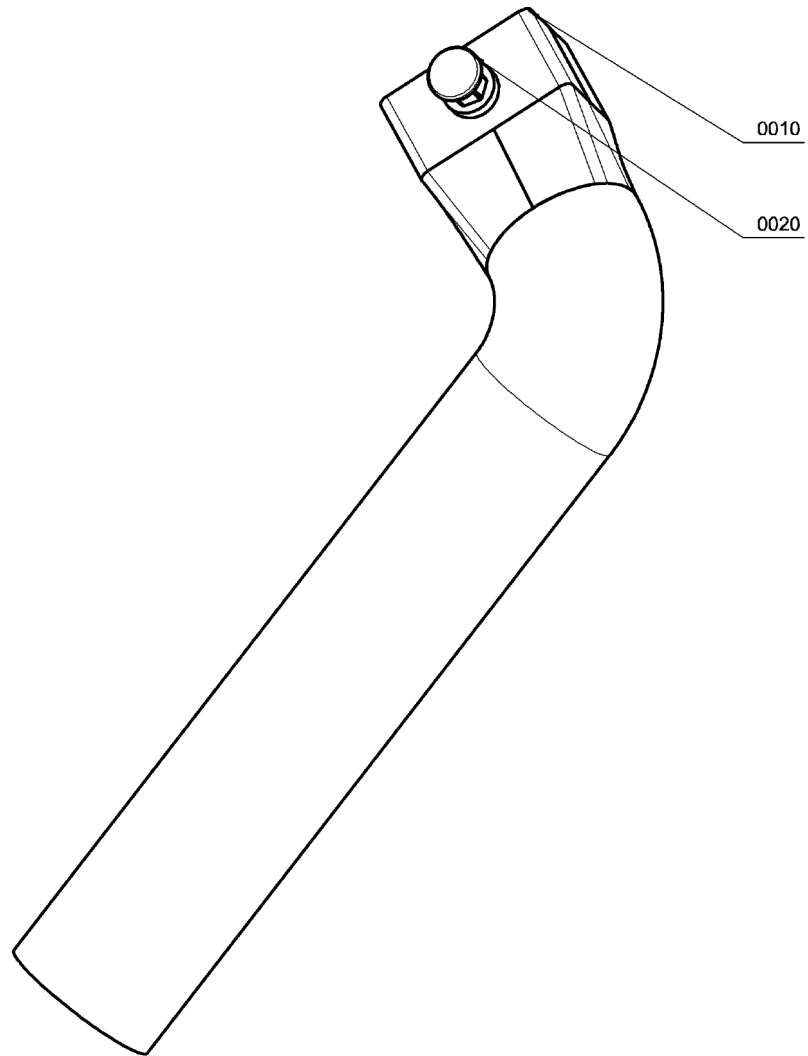
Pos.	Part no.	Designation	Qty.	UQ	A	Page
0010	7243311	downpipe deduster KCP10 FEC40	1	PCE	E	
0020	9083482	Compensator DIN DN50; length: 40mm; with clamping rings	1	PCE	E	
0030	3749007	CLAMP RING FL-STABLE DIN- DN 50 ISO-DN32-40; INCHES-DN2"	2	PCE	N	
0040	7065974	locking bolt	1	PCE	E	



## 1.51

### 7243387 downpipe container 600 FEC40 complete

Pos.	Part no.	Designation	Qty.	UQ	A	Page
0010	7243385	downpipe container 600 FEC40	1	PCE	E	
0020	7065974	locking bolt	1	PCE	E	







## Index

19" terminal, complete .....	7236270 .....	14
Adjusting sleeve with scraper .....	7217497 .....	190
Adjustment screw .....	7184185 .....	272
Base middle column complete FEC20 .....	7269534 .....	118
Base middle column FEC20 .....	7271060 .....	12
basic machine cover FEC20 .....	7275641 .....	14
Bottom clip holder, FEG, complete .....	7183097 .....	16
Bracket for maintenance flap bottom .....	7069444 .....	16
Bridge, complete .....	7184511 .....	296
cam guide FEC20 complete .....	7272977 .....	12
cam guide, remoaval opening, FEC20 compl .....	7272970 .....	32
cam guide, track cam, FEC20 complete .....	7272976 .....	32
Casing closing unit complete FEC20 .....	7272301 .....	162
CFC function+ RFID complete FEC20 .....	7271095 .....	12
Clip below MS1 MS3 FEC20 complete .....	7273984 .....	14
Clip below MS4 MS-Connection complete .....	7273977 .....	14
Clip MS1 MS3 ,top, complete .....	7273980 .....	206
Clip MS2 MS4, below, complete .....	7182301 .....	14
Clip MS2 MS4, top, complete .....	7182702 .....	206
Closing device .....	7182752 .....	272
closing station FEC20 .....	7272489 .....	12
Closing stroke check IO modules .....	7221643 .....	178, 260
Closing unit, top .....	7167964 .....	166
Closure, lifting rod .....	7160415 .....	190
column panelling S1_S3 .....	7273202 .....	206
column panelling S2/S4 cpl .....	7273501 .....	206
Combination cover, head piece, complete .....	7208064 .....	96
Compacting ring extraction unit .....	7183439 .....	272
Compacting station, comfort .....	7152260 .....	58

## Index

Compacting station, drive compartment FEC20 .....	7269503 .....	12
Compression unit, complete .....	7184516 .....	270
Corner column, complete .....	7179337 .....	12
cover clamping set complete .....	7344271 .....	296
Cover, pellet plug-in connector, complete .....	7197426 .....	96
Deflection unit, complete .....	7184956 .....	306
discharge chute cpl. FEC20 .....	7272734 .....	12
Distributor cone, flat .....	7222867 .....	14
downpipe container 600 FEC40 complete .....	7243387 .....	14
downpipe deduster KCP10 FEC40 complete .....	7243324 .....	14
Downpipe with inspection window .....	7225274 .....	306
drive discharge chute FEC20 .....	7274945 .....	12
drive extraction regulator complete .....	7281301 .....	86
drive ihXZ3-25KQBO+guide - suction pad .....	7357646 .....	254
Drive magazin row 1 FEC20 .....	7269131 .....	118
Drive magazin row 2 FEC20 .....	7269187 .....	118
Drive rejection non-separated FEC20 complete .....	7269230 .....	118
Drive sorting fork FEC20 complete .....	7269088 .....	118
Dust seal, complete .....	7218163 .....	276
ejection flap cpl. FEC20 .....	7272992 .....	12
Ejection pins and drive .....	7161257 .....	12
Electrical parts, CCC - Capsule Closing Control - optional .....	7243094 .....	178
Electrical parts, separation module .....	7244366 .....	254
Emergency stop + cabel witch plug .....	7271223 .....	244, 322
E-parts CFC FEC20 Option 4.100 Capsule Flow Control .....	7294119 .....	158
E-parts drive compartment +DC=MA FEC20 .....	7294122 .....	12
E-Parts FEC +HT =EXT .....	7243492 .....	14
E-parts Option NMC HUP FEC20 .....	7299943 .....	12
E-parts service unit +PSU=MA FEC20 .....	7294126 .....	50

## Index

E-parts upper part +HUP=MA FEC20 .....	7294124 .....	12
extraction FEC20 complete .....	7281300 .....	12
extraction n.g.K. FEC20 complete .....	7273997 .....	14
extraction segment holder cpl. FEC20 .....	7272893 .....	186
EZ3-1-16 Guide magazin row 1 .....	7269128 .....	136
FEC20 No. 9300 0053 .....	7295976 .....	10
Feeder, complete .....	7184961 .....	14
Filling cone mounting, complete .....	7235989 .....	72
Filling cone peripherals for CFC .....	7235988 .....	12
Filling cone row 1, complete .....	7235943 .....	12
Filling cone row 2, complete .....	7235945 .....	12
filling cone, with query .....	7273704 .....	306
fixing dosing, clamping system .....	7269502 .....	12
Frame middle colu. FEC20 complete .....	7266588 .....	118
Head piece structural elements FEC20 .....	7279070 .....	74
head piece universal FEC20 .....	7279134 .....	12
head piece with metal paneling FEC20 .....	7279103 .....	72
Incoming air cover, complete .....	7184840 .....	80
Left guide column, complete .....	7184309 .....	272
Lifting drive complete .....	7152258 .....	60
Lifting spindle seal .....	7184307 .....	288, 292
machine cover plate FEC20 .....	7279382 .....	12
machine frame bottom, complete FEC20 .....	7271218 .....	12
Main drive complete FEC20 .....	7268113 .....	12
Maintance flap hinge left, complete .....	7273857 .....	206
Maintenance flap hinge, complete .....	7182599 .....	212, 216
Maintenance flap MS1 MS3 kpl .....	7273080 .....	206
Maintenance flaps MS2 MS4, complete .....	7182200 .....	206
manifold cooling system FEC20 .....	7268291 .....	12

## Index

Metering drum drive, complete .....	7184959 .....	96
Metering drum, complete .....	7184957 .....	306
Motor plate, complete .....	7257918 .....	64
Mounting flange middle column complete FEC20 .....	7270957 .....	12
Mounting plate ejection pin non-separated capsules FEC20 .....	7277555 .....	150
complete NMC-Box FEC20 .....	7299841 .....	106
Option capsule separa. control FEC20 ja .....	7275791 .....	14
Option RFID Compacting station FEC20 .....	7269438 .....	12
Option: closing pin check YES .....	7168235 .....	12
Panelling ahead mi. co. boiled FEC20 .....	7286728 .....	130
Panelling ahead mi. co. FEC20 complete .....	7253988 .....	124
Panelling behind mid. col. FEC20 compl. ....	7254004 .....	124
Pneumatic control FEC20 Basic .....	7268190 .....	12
Pneumatic controller for CFC function .....	7174285 .....	12
Pot curve 4mm, closing, complete .....	7263958 .....	34
Pot curve 20mm .....	7158863 .....	34
powder dosing unit, complete .....	7184541 .....	270
quick clamping .....	7318284 .....	306
Rake holder, complete .....	7184024 .....	272
Removal beam supporting pin, complete .....	7195050 .....	12
RFID dosing disk, complete .....	7186748 .....	14
Right lifting column, complete .....	7184310 .....	272
rotary disk FEC20 complete .....	7267979 .....	12
Rotary disk locking mechanism .....	7158609 .....	12
rotary drive complete .....	7152263 .....	60
Scraper holder, upper closing pin .....	7167973 .....	166
self-centering clamping set 40x53 complete .....	7187008 .....	298
Sensor, inductive M4x0.5 1400 mm inclusive plug .....	7222288 .....	92, 178
SEZ3 0,5 16 drive with guide sorting fork .....	7155353 .....	144, 162, 190

## Index

SEZ3 0,5 16 Guide rejection non separated capsules FEC20 .....	7269199 .....	150
SEZ3 0.5 10 with guide suction pad .....	7155458 .....	162
SEZ3 1- 16 Guide Magazin row 2 .....	7269173 .....	140
Sleeve with scraper .....	7160276 ....	120, 124, 166
star grip screw M6x10VA .....	7276006 .....	264
suction cup cpl .....	7274904 .....	14
Suction temping-Pellet FEC20 .....	7274070 .....	14
Support plate with output flange .....	7216825 .....	272
table top (machine frame) .....	7270521 .....	16
Tamping station head piece, option .....	7222036 .....	12
Tamping station with RFID, complete .....	7186588 .....	14
Toolbox FEC .....	7280529 .....	14
Transfer station scraper, complete .....	7184023 .....	276
Valve block 30x5/2 steel with peripherals .....	7236621 .....	12
Water cooling system integrated FEC20 .....	7268262 .....	12
welded assembly bypass pipe .....	7280901 .....	86
welded assembly intermediate pipe .....	7280916 .....	86
window flap (vb) MS1_MS3 cpl FEC20 .....	7352439 .....	206
window flap (vb) MS2 cpl FEC20 .....	7352441 .....	206
window flap (vb) MS4 cpl FEC20 .....	7352444 .....	206
window flap hinge complete .....	7273885 .....	206
Window flap linkage MS1 MS3 complete FEC20 .....	7275526 .....	206
Window flap linkage MS2 .....	7275524 .....	206
Window flap linkage MS4 complete FEC20 .....	7275525 .....	206



# Umbauprotokoll Upgrade protocol



## Bitte ausgefüllt an FETTE zurücksenden Please complete and return to FETTE

Bitte beachten Sie, dass nicht an uns zurückgemeldete Modifikationen an den Maschinen zu falschen Ersatzteillieferungen führen können. Bitte teilen Sie uns deshalb alle Modifikationen mit, die Sie an Ihren Maschinen durchführen.

Please note, that not recorded machine modifications can cause wrong spare parts deliveries. For this reason, please inform us about all machine modifications.

Kunde  
customer \_\_\_\_\_ Nr. \_\_\_\_\_  
Umrüstung  
upgrade \_\_\_\_\_ Auftragsnr.  
order no. \_\_\_\_\_

Maschine/ machine:

Typ  
type \_\_\_\_\_ Nr. \_\_\_\_\_  
no. \_\_\_\_\_

umgebaut nach mitgelieferten Zeichnungen  
upgraded as specified in the enclosed drawing

Ja/ yes	Nein/ no
---------	----------

umgebaut mit Modifikationen  
upgraded with modifications

Ja/ yes	Nein/ no
---------	----------

Beschreibung der Modifikationen/ description of modifications

---

---

bitte Zeichnungen oder Fotos mitliefern/ please enclose drawings or pictures

Bemerkungen/ comments

---

---

---

Umbaudatum  
modification date \_\_\_\_\_ Unterschrift  
signature \_\_\_\_\_

Bitte ausgefüllt zurücksenden an/ please send back the completed upgrade protocol to:

### Fette Compacting GmbH

Spare Parts  
Grabauer Str. 24  
D-21493 Schwarzenbek  
Germany  
Fax: +49 (0) 4151 12 573  
Mail: spareparts@fette-compacting.com